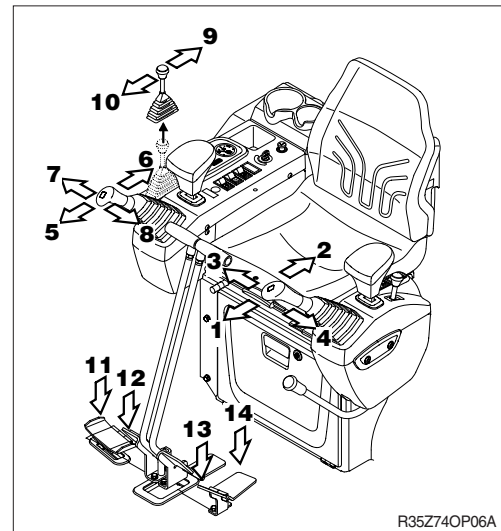


4. OPERATION OF WORKING DEVICE

※ **Confirm the operation of control lever and working device.**

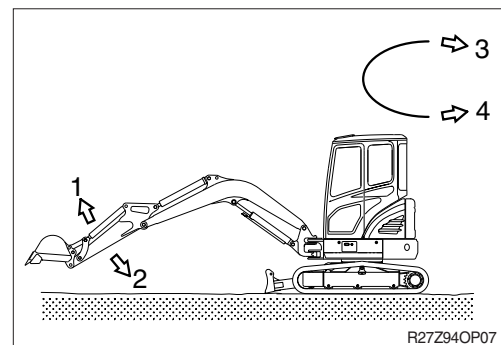
- 1) Left control lever controls arm and swing.
- 2) Right control lever controls boom and bucket.
- 3) When you release the control lever, control lever returns to neutral position automatically.

※ **When operating swing, consider the swing distance by inertia.**



※ **Left control lever**

- 1 Arm roll-out
- 2 Arm roll-in
- 3 Swing right
- 4 Swing left

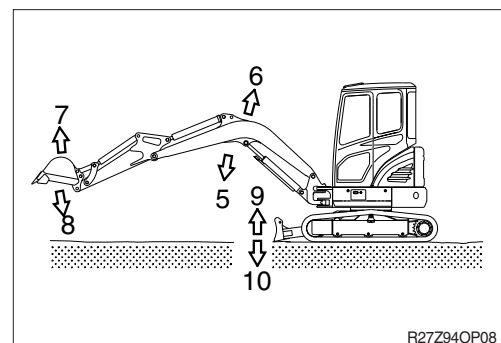


※ **Right control lever**

- 5 Boom lower
- 6 Boom raise
- 7 Bucket roll-out
- 8 Bucket roll-in

※ **Dozer control lever**

- 9 Dozer blade up
- 10 Dozer blade down



※ **Boom swing pedal**

- 11 Boom swing right
- 12 Boom swing left

※ **Option control pedal**

- 13, 14 Refer to optional attachment

