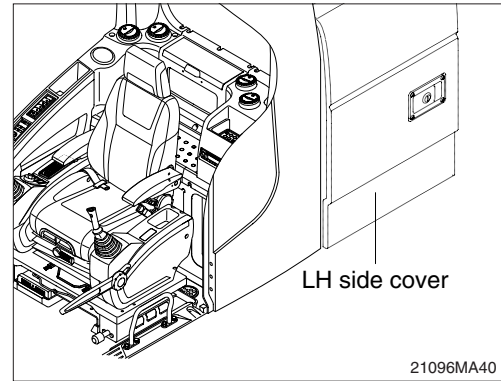


8. AIR CONDITIONER AND HEATER

1) CLEAN AND REPLACE OF FRESH AIR FILTER

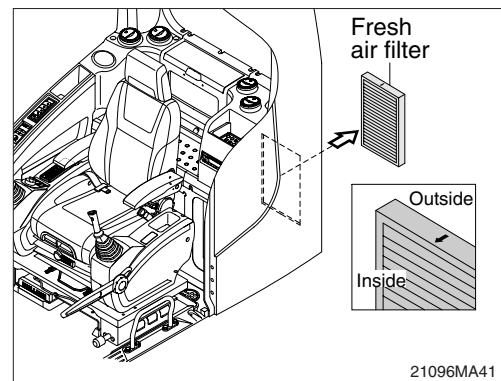
※ Always stop the engine before servicing.

(1) Open the LH side cover.



(2) Remove the fresh air filter.

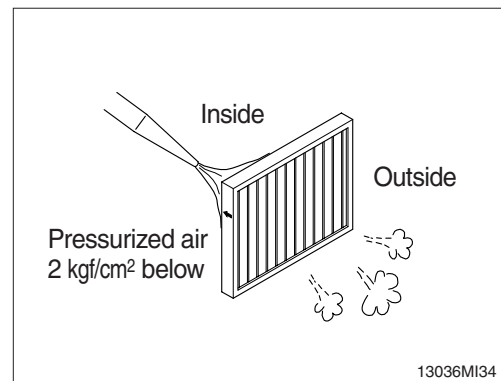
※ When installing a filter, be careful not to change the filter direction.



(3) Clean the filter using a pressurized air (below 2 kgf/cm², 28 psi).

△ When using pressurized air, be sure to wear safety glasses.

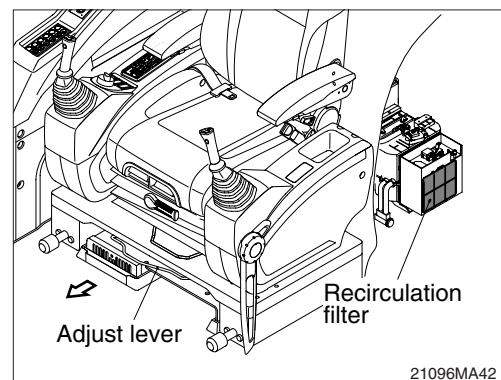
(4) Inspect the filter after cleaning. If it is damaged or badly contaminated, use a new filter.



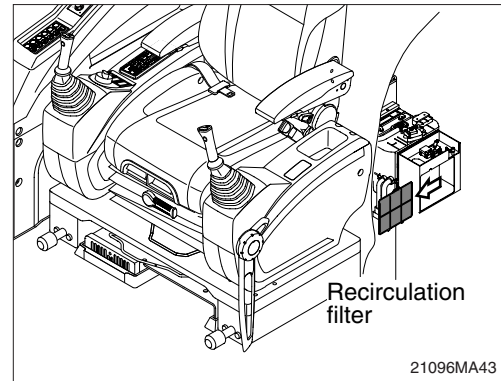
2) CLEAN AND REPLACE OF RECIRCULATION FILTER

※ Always stop the engine before servicing.

(1) Move seat and console box to arrow direction using the adjust lever.



(2) Remove recirculation filter.

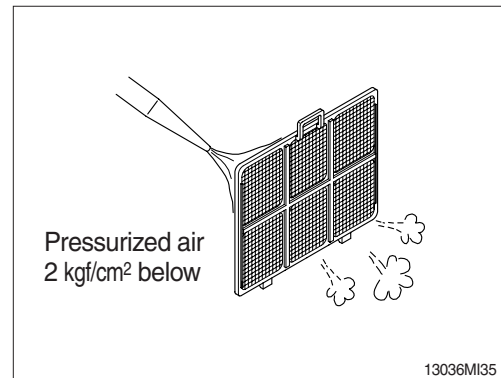


(3) Clean the recirculation filter using a pressurized air (below 2 kgf/cm², 28 psi) or washing with water.

△ When using pressurized air, be sure to wear safety glasses.

※ Dry off after washing with water.

(4) Inspect the filter after cleaning. If it is damaged or badly contaminated, use a new filter.



3) PRECAUTIONS FOR USING AIR CONDITIONER

(1) When using the air conditioner for a long time, open the window once every one hour.

(2) Be careful not to overcool the cab.

(3) The cab is properly cooled if the operator feels cool when entering there from outside (about 5°C lower than the outside temperature).

(4) When cooling, change air occasionally.

4) CHECK DURING SEASON

Ask the service center for replenishment of refrigerant or other maintenance service so that the cooling performance is not damaged.

5) CHECK DURING OFF-SEASON

Operate the air conditioner 2 or 3 times a month (each for a few minutes) to avoid loss of oil film in the compressor.