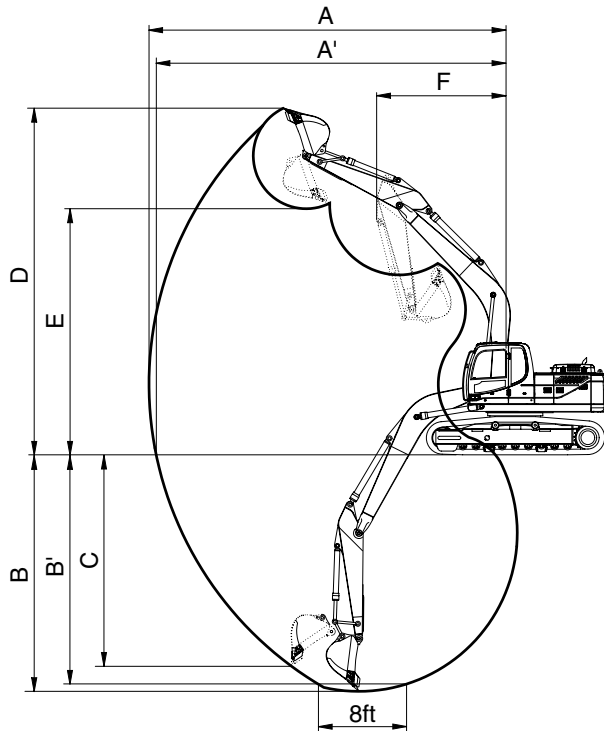


3. WORKING RANGE

1) R250LC-9, R250NLC-9 [5.85 m (19' 2") BOOM]

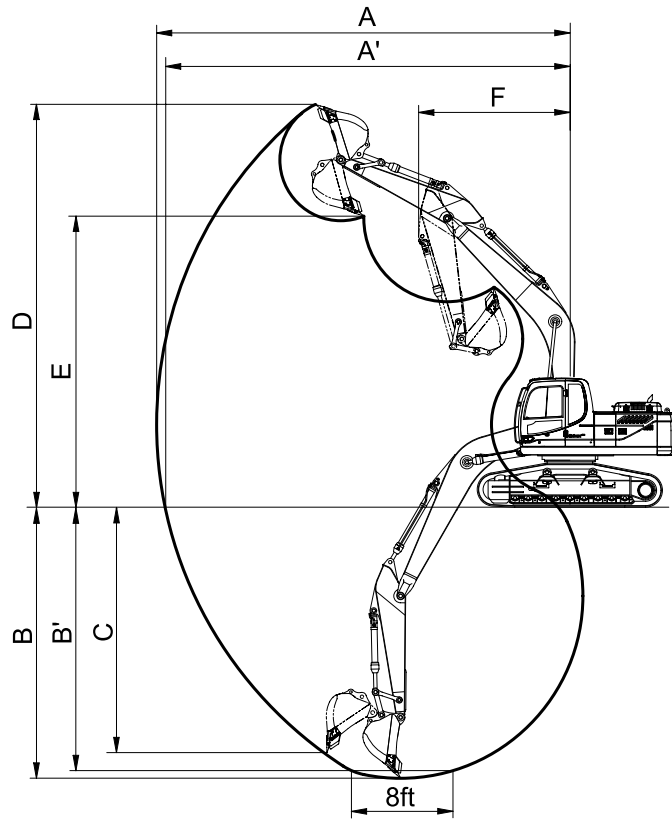


21092SP03

Description		2.10m (6' 11") Arm	2.50m (8' 2") Arm	※3.05m (10' 0") Arm	3.60m (11' 10") Arm
Max digging reach	A	9550 mm (31' 4")	9870 mm (32' 5")	10360 mm (34' 0")	10870 mm (35' 8")
Max digging reach on ground	A'	9360 mm (30' 9")	9680 mm (31' 9")	10190 mm (33' 5")	10700 mm (35' 1")
Max digging depth	B	6050 mm (19'10")	6450 mm (21' 2")	7000 mm (23' 0")	7550 mm (24' 9")
Max digging depth (8 ft level)	B'	5840 mm (19' 2")	6260 mm (20' 6")	6830 mm (22' 5")	7400 mm (24' 3")
Max vertical wall digging depth	C	5480 mm (18' 0")	5640 mm (18' 6")	6150 mm (20' 2")	6830 mm (22' 5")
Max digging height	D	9450 mm (31' 0")	9460 mm (31' 0")	9670 mm (31' 9")	9920 mm (32' 7")
Max dumping height	E	6360 mm (20'10")	6420 mm (21' 1")	6630 mm (21' 9")	6860 mm (22' 6")
Min swing radius	F	4420 mm (14' 6")	4200 mm (13' 9")	3980 mm (13' 1")	3900 mm (12'10")
Bucket digging force	SAE	154 [167.2] kN	154 [167.2] kN	154 [167.2] kN	154 [167.2] kN
		15700 [17080] kgf	15700 [17080] kgf	15700 [17080] kgf	15700 [17080] kgf
		34610 [37580] lbf	34610 [37580] lbf	34610 [37580] lbf	34610 [37580] lbf
	ISO	175.5 [190.6] kN	175.5 [190.6] kN	175.5 [190.6] kN	175.5 [190.6] kN
		17900 [19430] kgf	17900 [19430] kgf	17900 [19430] kgf	17900 [19430] kgf
		39460 [42840] lbf	39460 [42840] lbf	39460 [42840] lbf	39460 [42840] lbf
Arm digging force	SAE	134.4 [145.9] kN	128.5 [139.5] kN	114.7 [124.6] kN	103.0 [111.8] kN
		13700 [14870] kgf	13100 [14220] kgf	11700 [12700] kgf	10500 [11400] kgf
		30200 [32790] lbf	28880 [31360] lbf	25790 [28000] lbf	23150 [25130] lbf
	ISO	139.3 [151.2] kN	133.4 [144.8] kN	118.7 [128.8] kN	106.9 [116.1] kN
		14200 [15420] kgf	13600 [14770] kgf	12100 [13100] kgf	10900 [11830] kgf
		31310 [33990] lbf	29980 [32550] lbf	26680 [28970] lbf	24030 [26090] lbf

[] : Power boost ※ : STD

2) R250LC-9 HIGH WALKER [5.85 m (19' 2") BOOM]



25092SP09

Description		2.10m (6' 11") Arm	2.50m (8' 2") Arm	※3.05m (10' 0") Arm	3.60m (11' 10") Arm
Max digging reach	A	9550 mm (31' 4")	9870 mm (32' 5")	10360 mm (34' 0")	10870 mm (35' 8")
Max digging reach on ground	A'	9280 mm (30' 5")	9160 mm (31' 6")	10110 mm (33' 2")	10360 mm (34' 11")
Max digging depth	B	5680 mm (18' 8")	6080 mm (19' 11")	6630 mm (21' 9")	7180 mm (23' 7")
Max digging depth (8 ft level)	B'	5470 mm (17' 11")	5890 mm (19' 4")	6460 mm (21' 2")	7030 mm (23' 1")
Max vertical wall digging depth	C	5120 mm (16' 10")	5300 mm (17' 5")	5790 mm (19' 0")	6470 mm (21' 3")
Max digging height	D	9820 mm (32' 3")	9840 mm (32' 3")	10040 mm (32' 11")	10280 mm (33' 9")
Max dumping height	E	6730 mm (22' 1")	6790 mm (22' 3")	7000 mm (23' 0")	7220 mm (23' 8")
Min swing radius	F	4140 mm (13' 7")	4030 mm (13' 3")	3940 mm (12' 11")	3900 mm (12' 10")
Bucket digging force	SAE	154 [167.2] kN	154 [167.2] kN	154 [167.2] kN	154 [167.2] kN
		15700 [17080] kgf	15700 [17080] kgf	15700 [17080] kgf	15700 [17080] kgf
		34610 [37580] lbf	34610 [37580] lbf	34610 [37580] lbf	34610 [37580] lbf
	ISO	175.5 [190.6] kN	175.5 [190.6] kN	175.5 [190.6] kN	175.5 [190.6] kN
		17900 [19430] kgf	17900 [19430] kgf	17900 [19430] kgf	17900 [19430] kgf
		39460 [42840] lbf	39460 [42840] lbf	39460 [42840] lbf	39460 [42840] lbf
Arm crowd force	SAE	134.4 [145.9] kN	128.5 [139.5] kN	114.7 [124.6] kN	103.0 [111.8] kN
		13700 [14870] kgf	13100 [14220] kgf	11700 [12700] kgf	10500 [11400] kgf
		30200 [32790] lbf	28880 [31360] lbf	25790 [28000] lbf	23150 [25130] lbf
	ISO	139.3 [151.2] kN	133.4 [144.8] kN	118.7 [128.8] kN	106.9 [116.1] kN
		14200 [15420] kgf	13600 [14770] kgf	12100 [13100] kgf	10900 [11830] kgf
		31310 [33990] lbf	29980 [32550] lbf	26680 [28970] lbf	24030 [26090] lbf

[] : Power boost ※ : STD