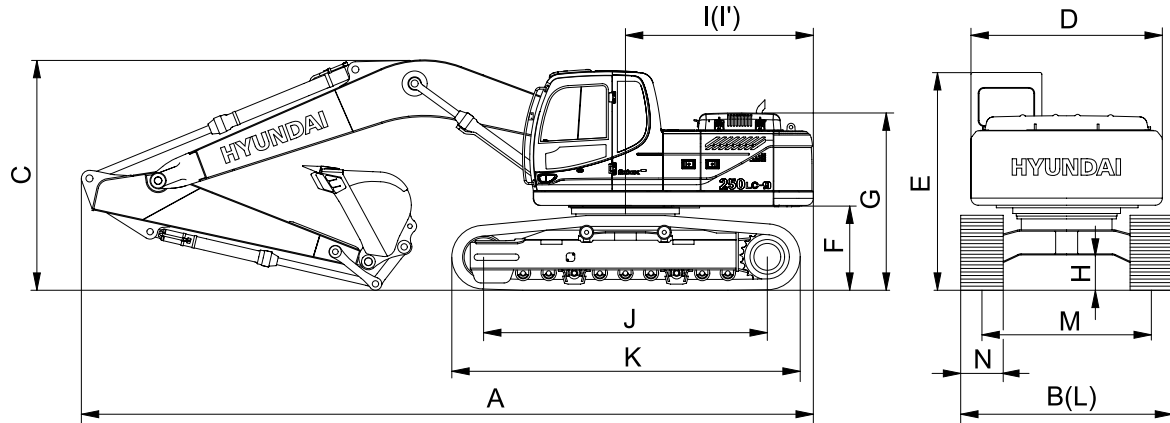


## 2. SPECIFICATIONS

### 1) R250LC-9

· 5.85 m (19' 2") BOOM and 3.05 m (10' 0") ARM

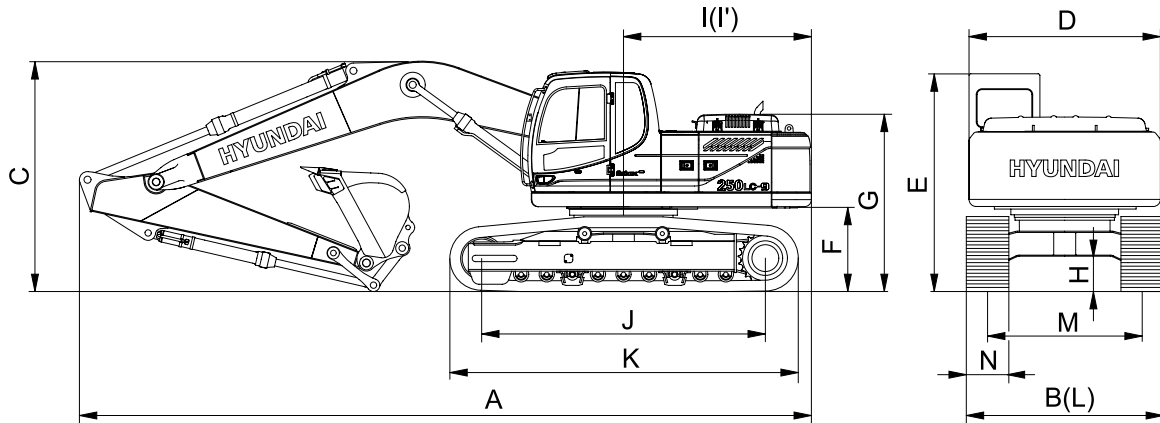


25092SP02

Description		Unit	Specification	
Operating weight		kg (lb)	25200 (55600)	
Bucket capacity (SAE heaped), standard		m <sup>3</sup> (yd <sup>3</sup> )	1.08 (1.41)	
Overall length	A	mm (ft-in)	9920 (32' 7")	
Overall width, with 600mm shoe	B		3180 (10' 5")	
Overall height	C		3220 (10' 7")	
Superstructure width	D		2840 ( 9' 4")	
Overall height of cab	E		2990 ( 9' 10")	
Ground clearance of counterweight	F		1115 ( 3' 8")	
Engine cover height	G		2427 ( 7' 12")	
Minimum ground clearance	H		480 ( 1' 7")	
Rear-end distance	I		2870 ( 9' 5")	
Rear-end swing radius	I'		2975 ( 9' 9")	
Distance between tumblers	J		3830 (12' 7")	
Undercarriage length	K		4640 (15' 3")	
Undercarriage width	L		3180 (10' 5")	
Track gauge	M		2580 ( 8' 6")	
Track shoe width, standard	N		600 (24")	
Travel speed (low/high)			km/hr (mph)	3.3/5.3 (2.1/3.3)
Swing speed			rpm	12
Gradeability		Degree (%)	35 (70)	
Ground pressure (600 mm shoe)		kgf/cm <sup>2</sup> (psi)	0.51 (7.25)	
Max traction force		kg (lb)	21600 (47600)	

2) R250NLC-9

· 5.85 m (19' 2") BOOM and 3.05 m (10' 0") ARM

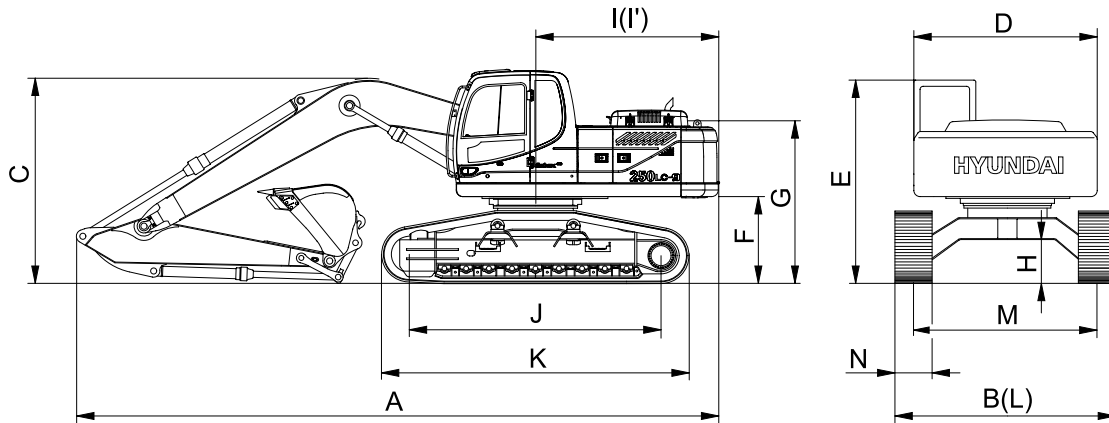


25092SP04

Description		Unit	Specification
Operating weight		kg (lb)	25100 (55300)
Bucket capacity (SAE heaped), standard		m <sup>3</sup> (yd <sup>3</sup> )	1.08 (1.41)
Overall length	A	mm (ft-in)	9920 (32' 7")
Overall width, with 600 mm shoe	B		2980 ( 9' 9")
Overall height	C		3220 (10' 7")
Superstructure width	D		2840 ( 9' 4")
Overall height of cab	E		2990 ( 9' 10")
Ground clearance of counterweight	F		1115 ( 3' 8")
Engine cover height	G		2427 ( 7' 12")
Minimum ground clearance	H		480 ( 1' 7")
Rear-end distance	I		2870 ( 9' 5")
Rear-end swing radius	I'		2975 ( 9' 9")
Distance between tumbler	J		3830 (12' 7")
Undercarriage length	K		4640 (15' 3")
Undercarriage width	L		2980 ( 9' 9")
Track gauge	M		2380 ( 7' 10")
Track shoe width, standard	N		600 (24")
Travel speed (low/high)			km/hr (mph)
Swing speed		rpm	12
Gradeability		Degree (%)	35 (70)
Ground pressure (600 mm shoe)		kgf/cm <sup>2</sup> (psi)	0.51 (7.25)
Max traction force		kg (lb)	21600 (47600)

### 3) R250LC-9 HIGH WALKER

· 5.85 m (19' 2") BOOM and 3.05 m (10' 0") ARM



25092SP05

Description		Unit	Specification
Operating weight		kg (lb)	27450 (60520)
Bucket capacity (SAE heaped), standard		m <sup>3</sup> (yd <sup>3</sup> )	1.08 (1.41)
Overall length	A	mm (ft-in)	9760 (32' 0")
Overall width, with 600 mm shoe	B		3390 (11' 1")
Overall height	C		3240 (10' 8")
Superstructure width	D		2840 (9' 4")
Overall height of cab	E		3345 (11' 0")
Ground clearance of counterweight	F		1470 (4' 10")
Engine cover height	G		2782 (9' 2")
Minimum ground clearance	H		765 (2' 6")
Rear-end distance	I		2975 (9' 9")
Rear-end swing radius	I'		2870 (9' 5")
Distance between tumblers	J		4030 (13' 3")
Undercarriage length	K		4940 (16' 2")
Undercarriage width	L		3390 (11' 1")
Track gauge	M		2790 (9' 2")
Track shoe width, standard	N		600 (24")
Travel speed (low/high)			km/hr (mph)
Swing speed		rpm	12
Gradeability		Degree (%)	35 (70)
Ground pressure (600 mm shoe)		kgf/cm <sup>2</sup> (psi)	0.53 (7.54)
Max traction force		kg (lb)	21600 (47600)