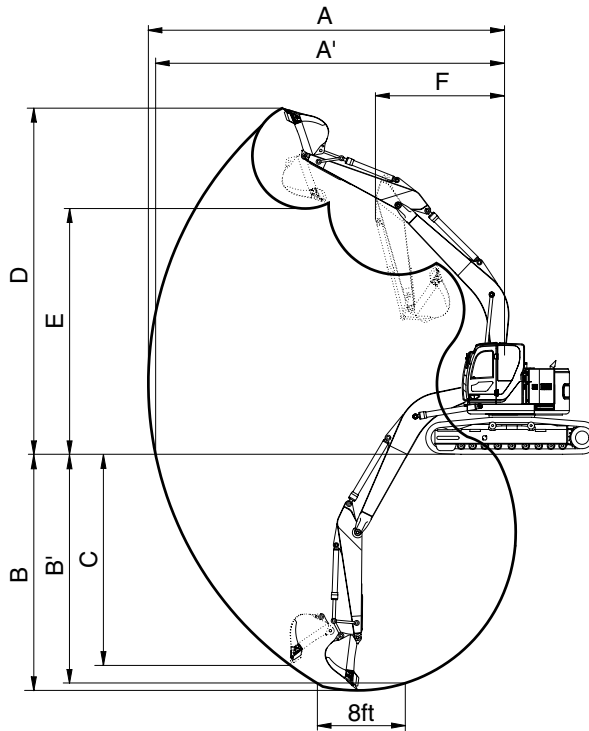


3. WORKING RANGE

1) R235LCR-9

· 5.68 m (18' 8") BOOM



235Z92SP03

Description		2.40 m (7' 10") Arm	2.92 m (9' 7") Arm
Max digging reach	A	9430 mm (30' 11")	9910 mm (32' 6")
Max digging reach on ground	A'	9260 mm (30' 5")	9750 mm (32' 0")
Max digging depth	B	6180 mm (20' 3")	6700 mm (22' 0")
Max digging depth (8 ft level)	B'	5980 mm (19' 7")	6530 mm (21' 5")
Max vertical wall digging depth	C	5710 mm (18' 9")	6270 mm (20' 7")
Max digging height	D	10420 mm (34' 2")	10830 mm (35' 6")
Max dumping height	E	7510 mm (24' 8")	7890 mm (25' 11")
Min swing radius	F	2550 mm (8' 4")	2350 mm (7' 9")
Bucket digging force	SAE	130.4 [141.6] kN	130.4 [141.6] kN
		13300 [14440] kgf	13300 [14440] kgf
		29320 [31830] lbf	29320 [31830] lbf
	ISO	149.1 [161.8] kN	149.1 [161.8] kN
		15200 [16500] kgf	15200 [16500] kgf
		33510 [36380] lbf	33510 [36380] lbf
Arm digging force	SAE	119.6 [129.9] kN	102.0 [110.7] kN
		12200 [13250] kgf	10400 [11290] kgf
		26900 [29210] lbf	22930 [24900] lbf
	ISO	125.5 [136.3] kN	106.9 [116.1] kN
		12800 [13900] kgf	10900 [11830] kgf
		28220 [30640] lbf	24030 [26090] lbf

[] : Power boost