

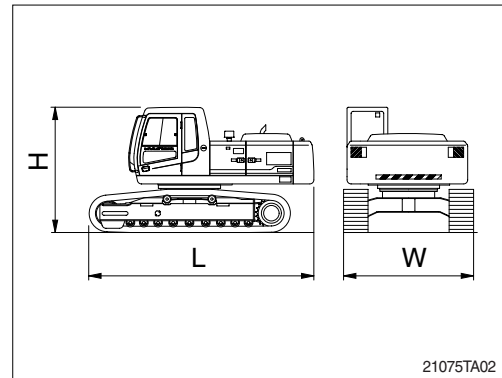
2. DIMENSION AND WEIGHT

1) ROBEX 210LC-7

(1) Base machine

Mark	Description	Unit	Specification
L	Length	mm(ft-in)	4990(16' 4")
H	Height	mm(ft-in)	2920(9' 7")
W	Width	mm(ft-in)	2990(9' 10")
Wt	Weight	kg(lb)	17410(38380)

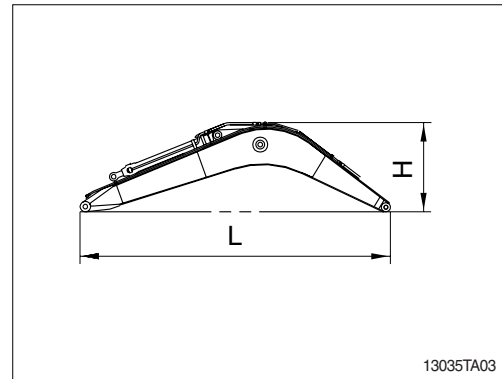
※ With 600mm(24") triple grouser shoes and 3800kg(8380lb) counterweight.



(2) Boom assembly

Mark	Description	Unit	Specification
L	Length	mm(ft-in)	5900(19' 4")
H	Height	mm(ft-in)	1550(5' 1")
W	Width	mm(ft-in)	700(2' 4")
Wt	Weight	kg(lb)	1950(4300)

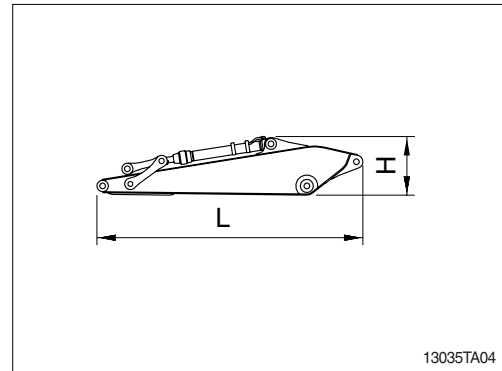
※ 5.68m(18' 8") boom with arm cylinder(Included piping and pins).



(3) Arm assembly

Mark	Description	Unit	Specification
L	Length	mm(ft-in)	3910(12'10")
H	Height	mm(ft-in)	870(2' 10")
W	Width	mm(ft-in)	350(1' 2")
Wt	Weight	kg(lb)	1050(2310)

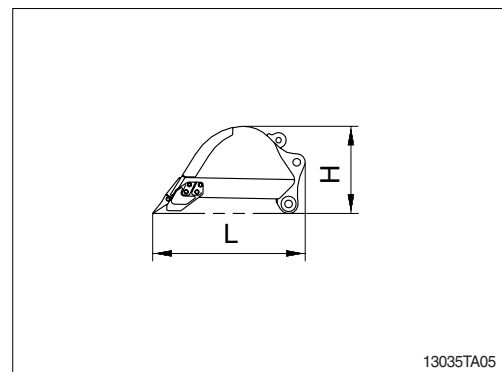
※ 2.92m(9' 7") arm with bucket cylinder(Included linkage and pins).



(4) Bucket assembly

Mark	Description	Unit	Specification
L	Length	mm(ft-in)	1600(5' 3")
H	Height	mm(ft-in)	980(3' 3")
W	Width	mm(ft-in)	1270(4' 2")
Wt	Weight	kg(lb)	770(1700)

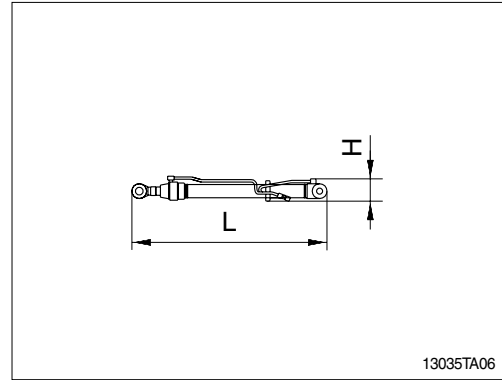
※ 0.92m³(1.20yd³) SAE heaped bucket(Included tooth and side cutters).



(5) Boom cylinder

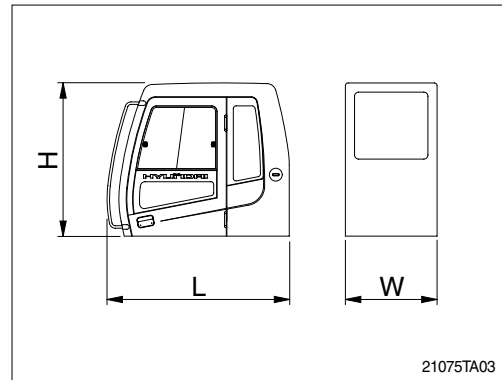
Mark	Description	Unit	Specification
L	Length	mm(ft-in)	1960(6' 5")
H	Height	mm(ft-in)	230(0' 9")
W	Width	mm(ft-in)	330(1' 1")
Wt	Weight	kg(lb)	380(840)

※ Included piping.



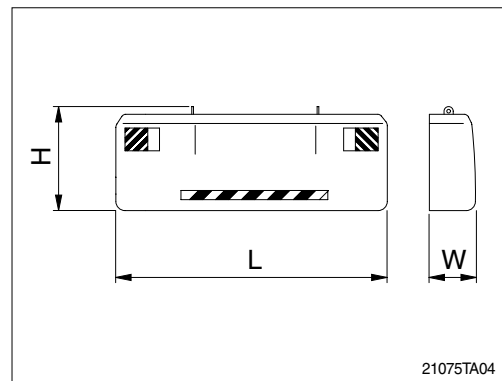
(6) Cab assembly

Mark	Description	Unit	Specification
L	Length	mm(ft-in)	1962(6' 4")
H	Height	mm(ft-in)	1676(5' 5")
W	Width	mm(ft-in)	1288(4' 2")
Wt	Weight	kg(lb)	310(680)



(7) Counterweight

Mark	Description	Unit	Specification
L	Length	mm(ft-in)	2700(8' 10")
H	Height	mm(ft-in)	1050(3' 5")
W	Width	mm(ft-in)	560(1' 10")
Wt	Weight	kg(lb)	3800(8380)

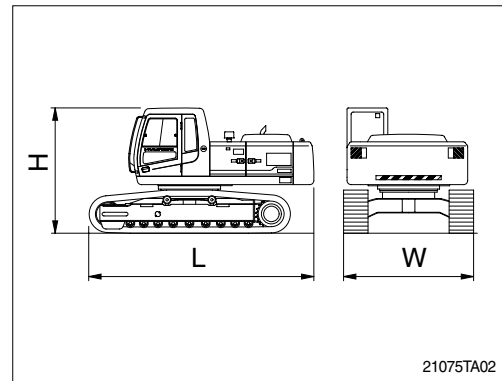


2) R210LC-7 LONG REACH

(1) Base machine

Mark	Description	Unit	Specification
L	Length	mm(ft-in)	4990(16' 4")
H	Height	mm(ft-in)	2920(9' 7")
W	Width	mm(ft-in)	3190(10' 6")
Wt	Weight	kg(lb)	18180(40080)

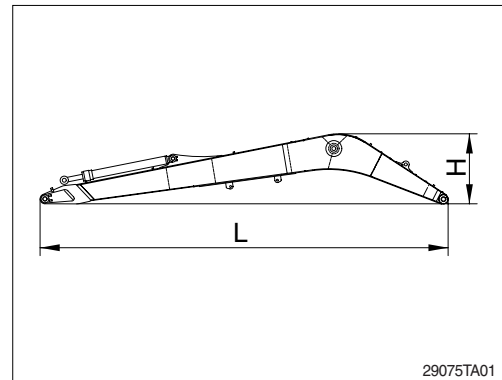
※ With 800mm(32") triple grouser shoes and 5300kg (11680lb) counterweight.



(2) Boom assembly

Mark	Description	Unit	Specification
L	Length	mm(ft-in)	8395(27' 7")
H	Height	mm(ft-in)	1515(5' 0")
W	Width	mm(ft-in)	800(2' 7")
Wt	Weight	kg(lb)	2470(5450)

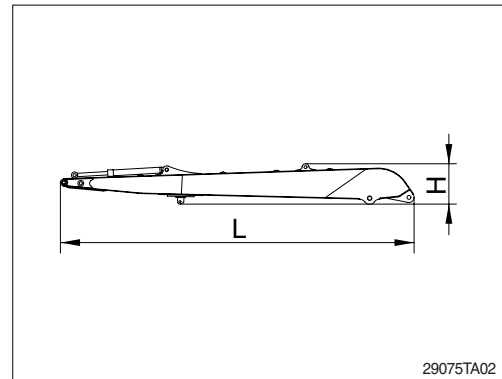
※ 8.2m(26' 11") boom with arm cylinder(Included piping and pins).



(3) Arm assembly

Mark	Description	Unit	Specification
L	Length	mm(ft-in)	7280(23' 11")
H	Height	mm(ft-in)	835(12' 9")
W	Width	mm(ft-in)	480(1' 7")
Wt	Weight	kg(lb)	1340(2960)

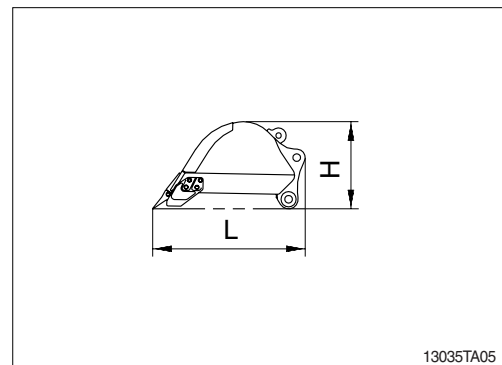
※ 6.3m(20' 8") arm with bucket cylinder(Included linkage and pins).



(4) Bucket assembly

Mark	Description	Unit	Specification
L	Length	mm(ft-in)	1600(5' 3")
H	Height	mm(ft-in)	980(3' 3")
W	Width	mm(ft-in)	820(2' 8")
Wt	Weight	kg(lb)	580(1280)

※ 0.51m³(0.67yd³) PCSA heaped bucket(Included tooth and side cutters).



(5) Counterweight

Mark	Description	Unit	Specification
L	Length	mm(ft-in)	2700(8' 10")
H	Height	mm(ft-in)	1050(3' 5")
W	Width	mm(ft-in)	560(1' 10")
Wt	Weight	kg(lb)	5300(11680)

