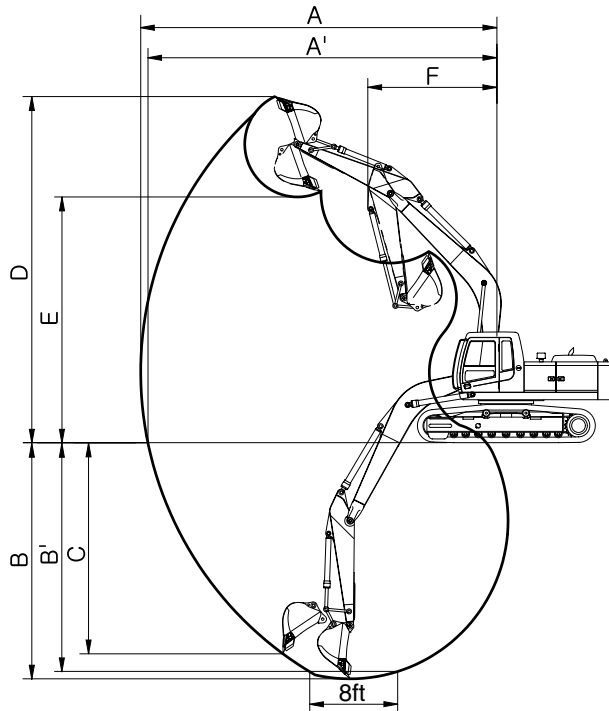


3. WORKING RANGE

1) R210LC-7 [5.68m(18' 8") BOOM]

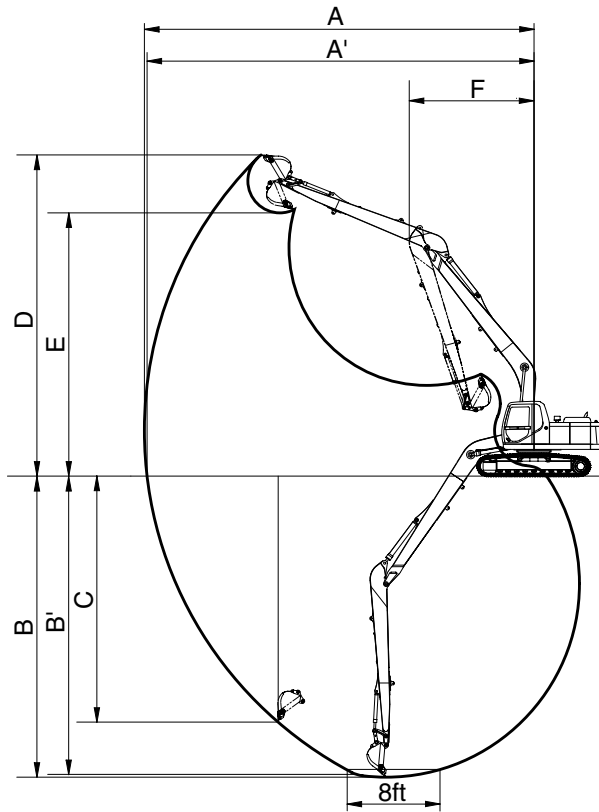


21072SP03

Description		2.92m(9' 7") Arm
Max digging reach	A	9940mm (32' 7")
Max digging reach on ground	A'	9780mm (32' 1")
Max digging depth	B	6740mm (22' 1")
Max digging depth(8ft level)	B'	6550mm (21' 6")
Max vertical wall digging depth	C	6120mm (20' 1")
Max digging height	D	9470mm (31' 1")
Max dumping height	E	6670mm (21' 11")
Min swing radius	F	3640mm (11' 11")
Bucket digging force	SAE	133 [146] kN
		13600 [14840] kgf
		29980 [32710] lbf
	ISO	152 [166] kN
		15500 [16910] kgf
		34170 [37280] lbf
Arm digging force	SAE	97 [106] kN
		9900 [10800] kgf
		21830 [23810] lbf
	ISO	101 [110] kN
		10300 [11240] kgf
		22710 [24770] lbf

[] : Power boost

2) R210LC-7 LONG REACH [8.2m(26' 11") BOOM]



29072SP08

Description		6.3m(20' 8") Arm
Max digging reach	A	15220(50' 0")
Max digging reach on ground	A'	15120(49' 7")
Max digging depth	B	11760(38' 7")
Max digging depth (8ft level)	B'	11650(38' 3")
Max vertical wall digging depth	C	9610(31' 6")
Max digging height	D	12550(41' 2")
Max dumping height	E	10280(33' 8")
Min swing radius	F	4870(16' 0")
Bucket digging force	SAE	72.6 kN
		7400 kgf
		16310 lbf
	ISO	83.4 kN
		8500 kgf
		18740 lbf
Arm crowd force	SAE	49.0 kN
		5000 kgf
		11020 lbf
	ISO	50.0 kN
		5100 kgf
		11240 lbf