

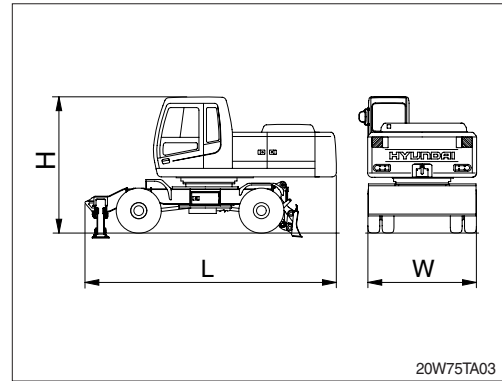
3. DIMENSION AND WEIGHT

1) ROBEX 200W-9

(1) Base machine

Mark	Description	Unit	Specification
L	Length	mm (ft-in)	5220 (17' 2")
H	Height	mm (ft-in)	3180 (10' 5")
W	Width	mm (ft-in)	2490 (8' 2")
Wt	Weight	kg (lb)	16200 (35720)

※ 3400 kg (7500 lb) counterweight.

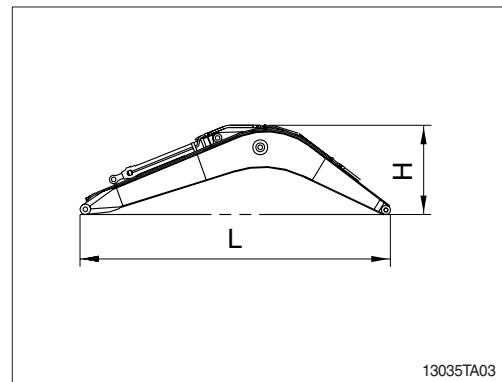


20W75TA03

(2) Boom assembly

Mark	Description	Unit	Specification
L	Length	mm (ft-in)	5840 (19' 2")
H	Height	mm (ft-in)	1550 (5' 1")
W	Width	mm (ft-in)	630 (2' 1")
Wt	Weight	kg (lb)	1870 (4120)

※ 5.65 m (18' 6") boom with arm cylinder (included piping and pins).

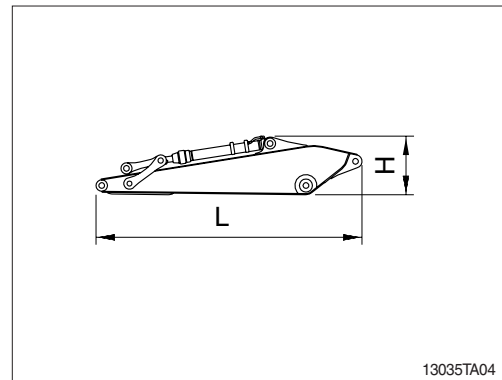


13035TA03

(3) Arm assembly

Mark	Description	Unit	Specification
L	Length	mm (ft-in)	3910 (12' 0")
H	Height	mm (ft-in)	870 (2' 10")
W	Width	mm (ft-in)	350 (1' 2")
Wt	Weight	kg (lb)	1095 (2410)

※ 2.92 m (9' 7") arm with bucket cylinder (included linkage and pins).

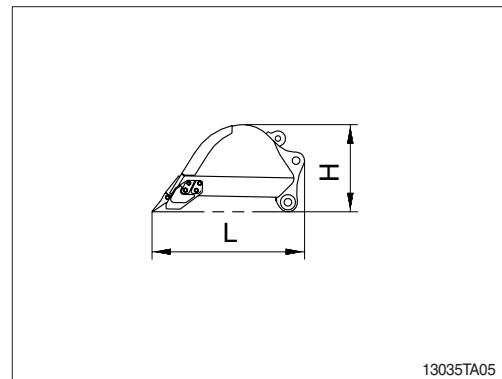


13035TA04

(4) Bucket assembly

Mark	Description	Unit	Specification
L	Length	mm (ft-in)	1600 (5' 3")
H	Height	mm (ft-in)	980 (3' 3")
W	Width	mm (ft-in)	1160 (3' 10")
Wt	Weight	kg (lb)	710 (1570)

※ 0.80 m³ (1.05 yd³) SAE heaped bucket (included tooth and side cutters).

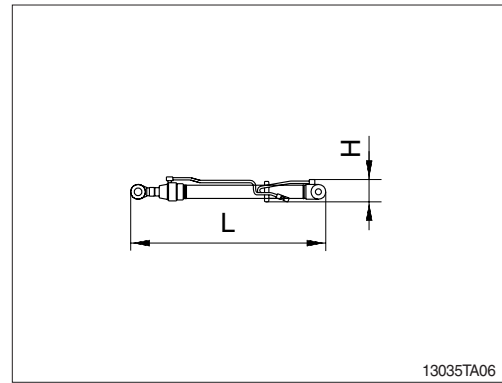


13035TA05

(5) Boom cylinder

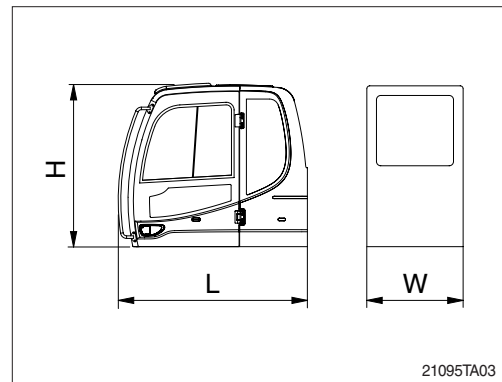
Mark	Description	Unit	Specification
L	Length	mm (ft-in)	1960 (6' 5")
H	Height	mm (ft-in)	230 (0' 9")
W	Width	mm (ft-in)	330 (1' 1")
Wt	Weight	kg (lb)	360 (794)/2EA

※ Included piping.



(6) Cab assembly

Mark	Description	Unit	Specification
L	Length	mm (ft-in)	2000 (6' 7")
H	Height	mm (ft-in)	1740 (5' 9")
W	Width	mm (ft-in)	1288 (4' 2")
Wt	Weight	kg (lb)	500 (1100)



(7) Counterweight

Mark	Description	Unit	Specification
L	Length	mm (ft-in)	2530 (8' 4")
H	Height	mm (ft-in)	1050 (3' 5")
W	Width	mm (ft-in)	560 (1' 10")
Wt	Weight	kg (lb)	3400 (7500)

