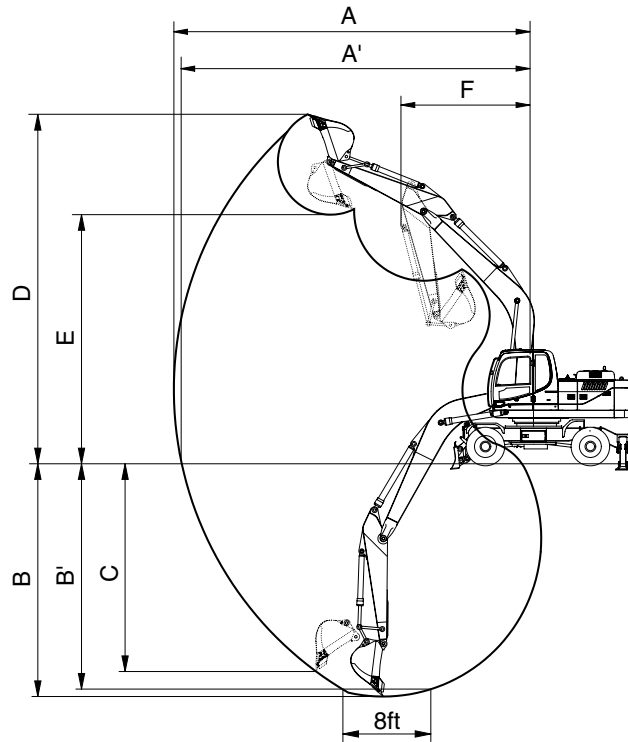


### 3. WORKING RANGE

#### 5.65 m (18' 6") BOOM



20W92SP03

Description		2.0 m (6' 7") Arm	2.40 m (7' 10") Arm	※ 2.92 m (9' 7") Arm
Max digging reach	A	9110 mm (29'11")	9480 mm (31' 1")	9960 mm (32' 8")
Max digging reach on ground	A'	8870 mm (29' 1")	9260 mm (30' 5")	9750 mm (32' 0")
Max digging depth	B	5480 mm (18' 0")	5880 mm (19' 3")	6380 mm (20'11")
Max digging depth (8ft level)	B'	5240 mm (17' 2")	5670 mm (18' 7")	6210 mm (20' 4")
Max vertical wall digging depth	C	4970 mm (16' 4")	5440 mm (17'10")	5990 mm (19' 8")
Max digging height	D	9500 mm (31' 2")	9730 mm (31'11")	10000 mm (32' 10")
Max dumping height	E	6670 mm (21'11")	6900 mm (22' 8")	7160 mm (23' 6")
Min swing radius	F	3700 mm (12' 2")	3620 mm (11'11")	3580 mm (11' 9")
Bucket digging force	SAE	130.4 [141.6] kN	130.4 [141.6] kN	130.4 [141.6] kN
		13300 [14440] kgf	13300 [14440] kgf	13300 [14440] kgf
		29320 [31830] lbf	29320 [31830] lbf	29320 [31830] lbf
	ISO	149.1 [161.8] kN	149.1 [161.8] kN	149.1 [161.8] kN
		15200 [16500] kgf	15200 [16500] kgf	15200 [16500] kgf
		33510 [36380] lbf	33510 [36380] lbf	33510 [36380] lbf
Arm digging force	SAE	144.2 [156.5] kN	119.6 [129.9] kN	102.0 [110.7] kN
		14700 [15960] kgf	12200 [13250] kgf	10400 [11290] kgf
		32410 [35190] lbf	26900 [29210] lbf	22930 [24900] lbf
	ISO	151.0 [164.0] kN	125.5 [136.3] kN	106.9 [116.1] kN
		15400 [16720] kgf	12800 [13900] kgf	10900 [11830] kgf
		33950 [36860] lbf	28220 [30640] lbf	24030 [26090] lbf

[ ] : Power boost      ※ : Standard