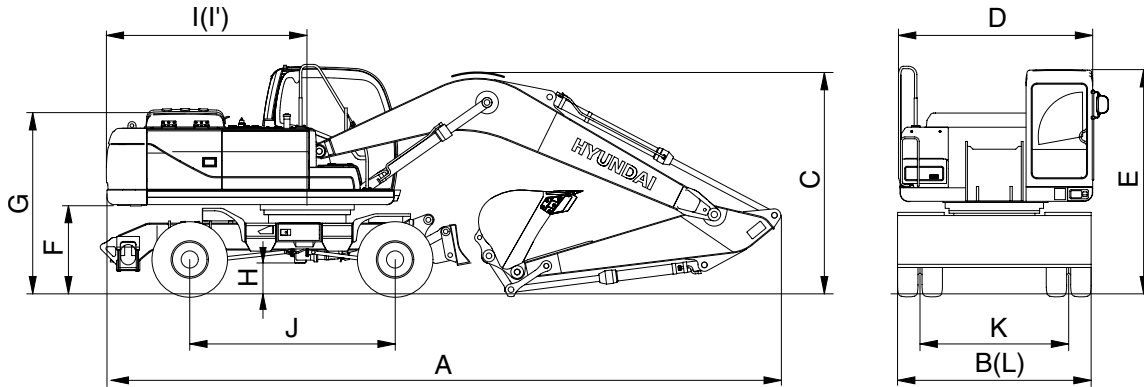


2. SPECIFICATIONS

1) 5.65 m (18' 6") ONE PIECE BOOM, 2.92 m (9' 7") ARM, FRONT OUTRIGGER AND REAR DOZER BLADE



20W92SP02

Description		Unit	Specification
Operating weight		kg (lb)	20500 (45200)
Bucket capacity (SAE heaped)		m ³ (yd ³)	0.80 (1.05)
Overall length	A	mm (ft-in)	9500 (31' 2")
Overall width	B		2490 (8' 2")
Overall height of boom	C		3150 (10' 4")
Upperstructure width	D		2530 (8' 4")
Cab height	E		3180 (10' 5")
Ground clearance of counterweight	F		1310 (4' 3")
Engine cover height	G		2570 (8' 5")
Minimum ground clearance	H		345 (1' 2")
Rear-end distance	I		2765 (9' 1")
Rear-end swing radius	I'		2800 (9' 2")
Wheel base	J		2800 (9' 2")
Tread	K		1874 (6' 2")
Dozer blade width	L		2490 (8' 2")
Travel speed	Low		km/hr (mph)
	High	35 (21.8)	
Swing speed		rpm	11.0
Gradeability		Degree (%)	31.5 (61)