

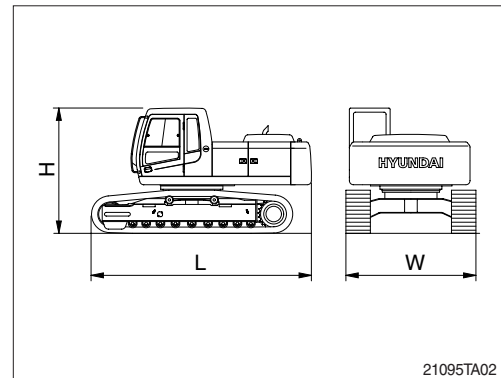
2. DIMENSION AND WEIGHT

1) ROBEX 210NLC-9

(1) Base machine

Mark	Description	Unit	Specification
L	Length	mm (ft-in)	4990 (16' 4")
H	Height	mm (ft-in)	2920 (9' 7")
W	Width	mm (ft-in)	2500 (9' 7")
Wt	Weight	kg (lb)	17410 (38380)

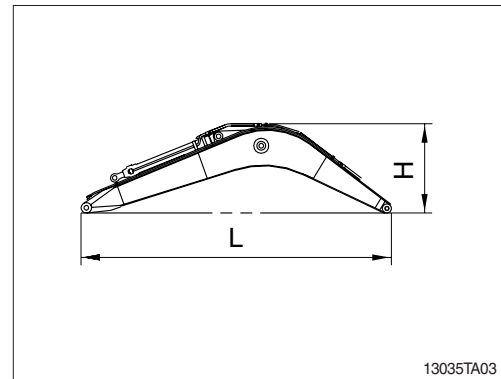
※ With 500 mm (20") triple grouser shoes and 4700 kg (10360 lb) counterweight.



(2) Boom assembly

Mark	Description	Unit	Specification
L	Length	mm (ft-in)	5900 (19' 4")
H	Height	mm (ft-in)	1550 (5' 1")
W	Width	mm (ft-in)	630 (2' 1")
Wt	Weight	kg (lb)	1870 (4120)

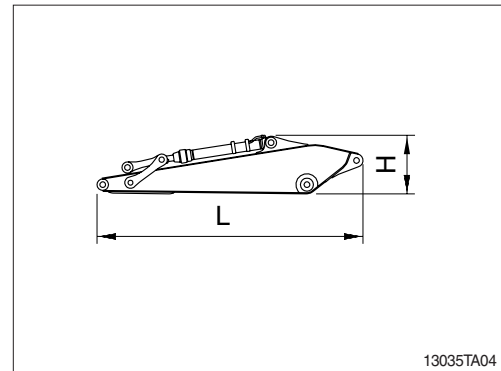
※ 5.65 m (18' 6") boom with arm cylinder (included piping and pins).



(3) Arm assembly

Mark	Description	Unit	Specification
L	Length	mm (ft-in)	3910 (12' 10")
H	Height	mm (ft-in)	870 (2' 10")
W	Width	mm (ft-in)	350 (1' 2")
Wt	Weight	kg (lb)	1095 (2410)

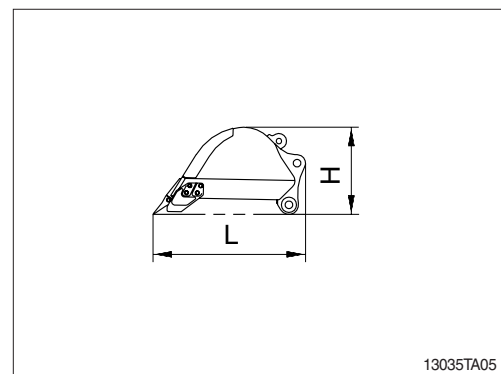
※ 2.92 m (9' 7") arm with bucket cylinder (included linkage and pins).



(4) Bucket assembly

Mark	Description	Unit	Specification
L	Length	mm (ft-in)	1600 (5' 3")
H	Height	mm (ft-in)	980 (3' 3")
W	Width	mm (ft-in)	1250 (4' 1")
Wt	Weight	kg (lb)	740 (1630)

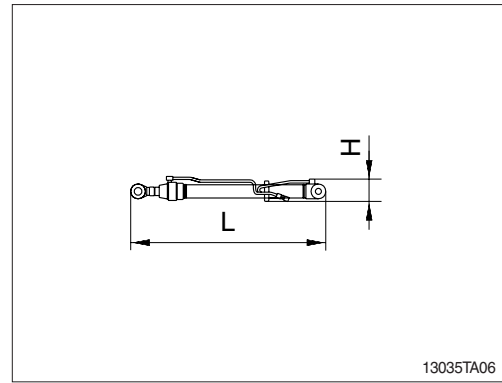
※ 0.87 m³ (1.20 yd³) SAE heaped bucket (included tooth and side cutters).



(5) Boom cylinder

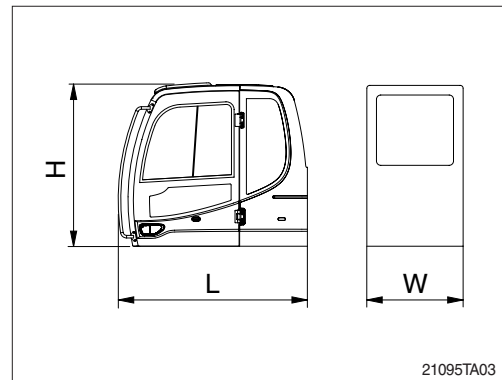
Mark	Description	Unit	Specification
L	Length	mm (ft-in)	1960 (6' 5")
H	Height	mm (ft-in)	230 (0' 9")
W	Width	mm (ft-in)	330 (1' 1")
Wt	Weight	kg (lb)	380 (840), 2EA

※ Included piping.



(6) Cab assembly

Mark	Description	Unit	Specification
L	Length	mm (ft-in)	2000 (6' 7")
H	Height	mm (ft-in)	1740 (5' 9")
W	Width	mm (ft-in)	1288 (4' 2")
Wt	Weight	kg (lb)	500 (1100)



(7) Counterweight

Mark	Description	Unit	Specification
L	Length	mm (ft-in)	2700 (8' 10")
H	Height	mm (ft-in)	1050 (3' 5")
W	Width	mm (ft-in)	560 (1' 10")
Wt	Weight	kg (lb)	4700 (10360)

