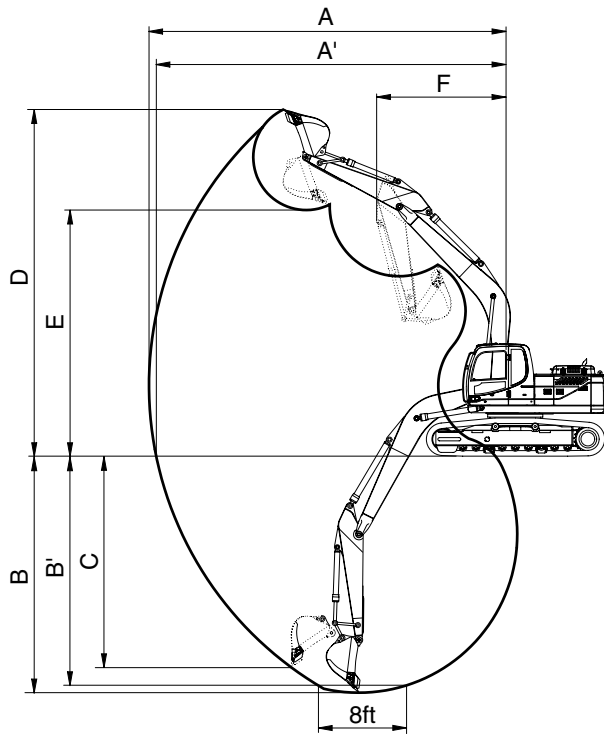


### 3. WORKING RANGE

· 5.65 m (18' 6") MONO BOOM



21092SP03

Description		2.0 m (6' 7") Arm	2.40 m (7' 10") Arm	2.92 m (9' 7") Arm
Max digging reach	A	9140 mm (30' 0")	9510 mm (31' 2")	9960 mm (32' 8")
Max digging reach on ground	A'	8960 mm (29' 5")	9340 mm (30' 8")	9800 mm (32' 2")
Max digging depth	B	5750 mm (18' 10")	6150 mm (20' 2")	6640 mm (21' 9")
Max digging depth (8ft level)	B'	5520 mm (18' 1")	5950 mm (19' 6")	6470 mm (21' 3")
Max vertical wall digging depth	C	5320 mm (17' 5")	5780 mm (19' 0")	6250 mm (20' 6")
Max digging height	D	9270 mm (30' 5")	9500 mm (31' 2")	9740 mm (31' 11")
Max dumping height	E	6450 mm (21' 2")	6660 mm (21' 10")	6900 mm (22' 8")
Min swing radius	F	3710 mm (12' 2")	3630 mm (11' 11")	3580 mm (11' 9")
Bucket digging force	SAE	130.4 [141.6] kN	130.4 [141.6] kN	130.4 [141.6] kN
		13300 [14440] kgf	13300 [14440] kgf	13300 [14440] kgf
		29320 [31830] lbf	29320 [31830] lbf	29320 [31830] lbf
	ISO	149.1 [161.8] kN	149.1 [161.8] kN	149.1 [161.8] kN
		15200 [16500] kgf	15200 [16500] kgf	15200 [16500] kgf
		33510 [36380] lbf	33510 [36380] lbf	33510 [36380] lbf
Arm digging force	SAE	144.2 [156.5] kN	119.6 [129.9] kN	102.0 [110.7] kN
		14700 [15960] kgf	12200 [13250] kgf	10400 [11290] kgf
		32410 [35190] lbf	26900 [29210] lbf	22930 [24900] lbf
	ISO	151.0 [164.0] kN	125.5 [136.3] kN	106.9 [116.1] kN
		15400 [16720] kgf	12800 [13900] kgf	10900 [11830] kgf
		33950 [36860] lbf	28220 [30640] lbf	24030 [26090] lbf

[ ] : Power boost