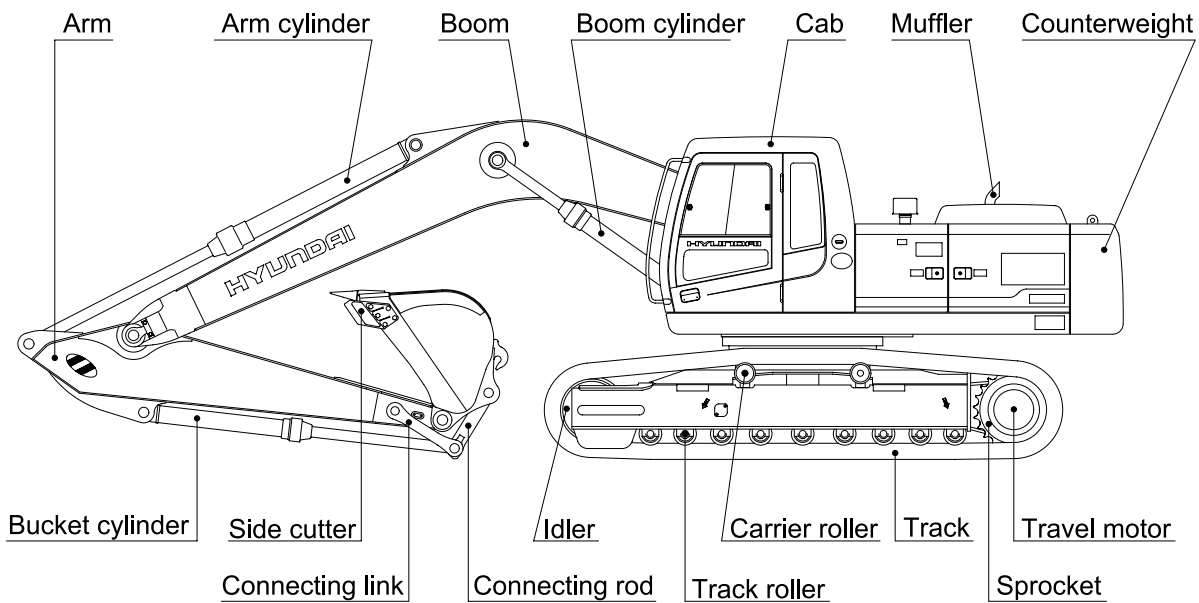
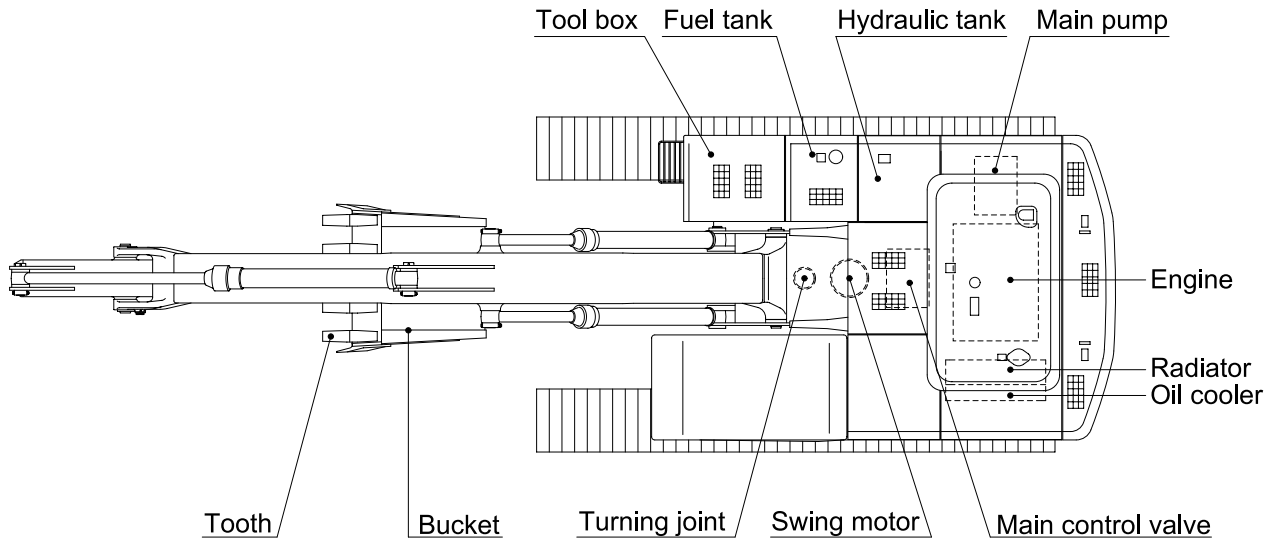


SPECIFICATIONS

1. MAJOR COMPONENT



21072SP01A