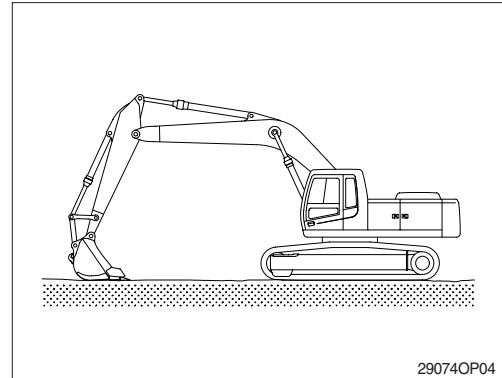


### 13. SWITCHING HYDRAULIC ATTACHMENT CIRCUIT

- 1) The combined hydraulic attachment circuit is capable of providing single action or double action.
- 2) The position of 3 way valve selects the single action hydraulic attachment circuit or the double action hydraulic attachment circuit.
- 3) Before you change the flow mode of hydraulic attachment circuit, place the machine in the servicing position as shown. Stop the engine.



- 4) Use the spanner to turn the bolt of 3 way valve.  
Make sure that you turn the bolt between (b) and (c).

**(1) One way flow** (hydraulic breaker)

Position the groove parallel to the piping (b).

**(2) Two way flow** (clamshell or shear)

Position the groove perpendicular to the piping (c).

