

CONTENTS

Foreword	0-1	6. Traveling of the machine	4-15			
Before servicing this machine	0-2	7. Efficient working method	4-18			
EC regulation approved	0-3	8. Operation in the special work sites	4-22			
Table to enter S/No and distribution	0-4	9. Normal operation of excavator	4-24			
Safety labels	0-5	10. Attachment lowering	4-25			
Machine data plate	0-14	11. Storage	4-26			
Guide(Direction, S/No, Symbol)	0-15	12. RCV lever operating pattern	4-28			
		13. Switching hydraulic attachment circuit	4-29			
SAFETY HINTS						
1. Before operating the machine	1-1	TRANSPOTATION				
2. During operating the machine	1-6	1. Preparation for transportation	5-1			
3. During maintenance	1-13	2. Dimension and weight	5-2			
4. Parking	1-16	3. Loading the machine	5-6			
		4. Fixing the machine	5-8			
SPECIFICATIONS				5. Loading and unloading by crane	5-9	
1. Major components	2-1	MAINTENANCE				
2. Specifications	2-2	1. Instruction	6-1			
3. Working range	2-4	2. Tightening torque	6-6			
4. Weight	2-6	3. Fuel, coolant and lubricants	6-9			
5. Lifting capacities	2-8	4. Maintenance check list	6-11			
6. Bucket selection guide	2-11	5. Maintenance chart	6-16			
7. Undercarriage	2-13	6. Service instruction	6-18			
8. Specification for major components	2-15	7. Electrical system	6-39			
9. Recommended oils	2-19	8. Air conditioner and heater	6-42			
CONTROL DEVICES				TROUBLESHOOTING GUIDE		
1. Cab devices	3-1	1. Engine	7-1			
2. Cluster	3-2	2. Electrical system	7-2			
3. Switches	3-9	3. Others	7-3			
4. Levers and pedals	3-14	HYDRAULIC BREAKER AND QUICK CLAMP				
5. Air conditioner and heater	3-17	1. Selecting hydraulic breaker	8-1			
6. Others	3-20	2. Circuit configuration	8-2			
OPERATION				3. Maintenance	8-3	
1. Suggestion for new machine	4-1	4. Precaution while operating the breaker	8-4			
2. Check before starting the engine	4-2	5. Quick clamp	8-6			
3. Starting and stop the engine	4-3	INDEX				9-1
4. Mode selection system	4-7					
5. Operation of the working device	4-14					

FOREWORD

This manual contains a number of instructions and safety recommendations regarding driving, handling, lubrication, maintenance, inspection and adjustment of the excavator.

The manual is to promote safety maintenance and enhance machine performance.

Keep this manual handy and have all personnel read it periodically.

If you sell the machine, be sure to give this manual to the new owners.

This machine complies with EC directive "2006/42/EC".

1. **Read** and **understand** this manual before operating the machine.

This operator's manual may contain attachments and optional equipment that are not available in your area. Please consult your local Hyundai distributor for those items you require.

Improper operation and maintenance of this machine can be hazardous and could result in serious injury or death.

Some actions involved in operation and maintenance of the machine can cause a serious accident, if they are not done in a manner described in this manual.

The procedures and precautions given in this manual apply only to intended uses of the machine.

If you use your machine for any unintended uses that are not specifically prohibited, you must be sure that it is safe for you and others. In no event should you or others engage in prohibited uses of actions as described in this manual.

2. **Inspect** the jobsite and **follow** the safety recommendations in the **safety hints** section before operating the machine.

3. Use **genuine Hyundai spare parts** for the replacement of parts.

We expressly point out that Hyundai will not accept any responsibility for defects resulting from non-genuine parts or non workmanlike repair.

In such cases Hyundai cannot assume liability for any damage.

Continuing improvements in the design of this machine can lead to changes in detail which may not be reflected in this manual. Consult Hyundai or your Hyundai distributor for the latest available information for your machine or for questions regarding information in this manual.

BEFORE SERVICING THIS MACHINE

It is the responsibility of the owner and all service and maintenance personnel to avoid accidents and serious injury by keeping this machine properly maintained.

It also is the responsibility of the owner and all service and maintenance personnel to avoid accidents and serious injury while servicing the machine.

No one should service or attempt to repair this machine without proper training and supervision.

All service and maintenance personnel should be thoroughly familiar with the procedures and precautions contained in this manual.

All personnel also must be aware of any federal, state, provincial or local laws or regulations covering the use and service of construction equipment.

The procedures in this manual do not supersede any requirements imposed by federal, state, provincial or local laws.

Hyundai can not anticipate every possible circumstance or environment in which this machine may be used and serviced.

All personnel must remain alert to potential hazards.

Work within your level of training and skill.

Ask your supervisor if you are uncertain about a particular task. Do not try to do too much too fast.

Use your common sense.

EC REGULATION APPROVED

- Noise level (EN474-1 : 2006 and 2000/14/EC) are as followings.

LWA : 104dB(EU only)

LPA : 73dB

- The value of vibrations transmitted by the operator's seat are lower than standard value of (EN474-1 : 2006 and 2002/44/EC)

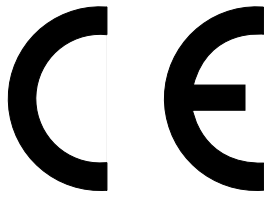


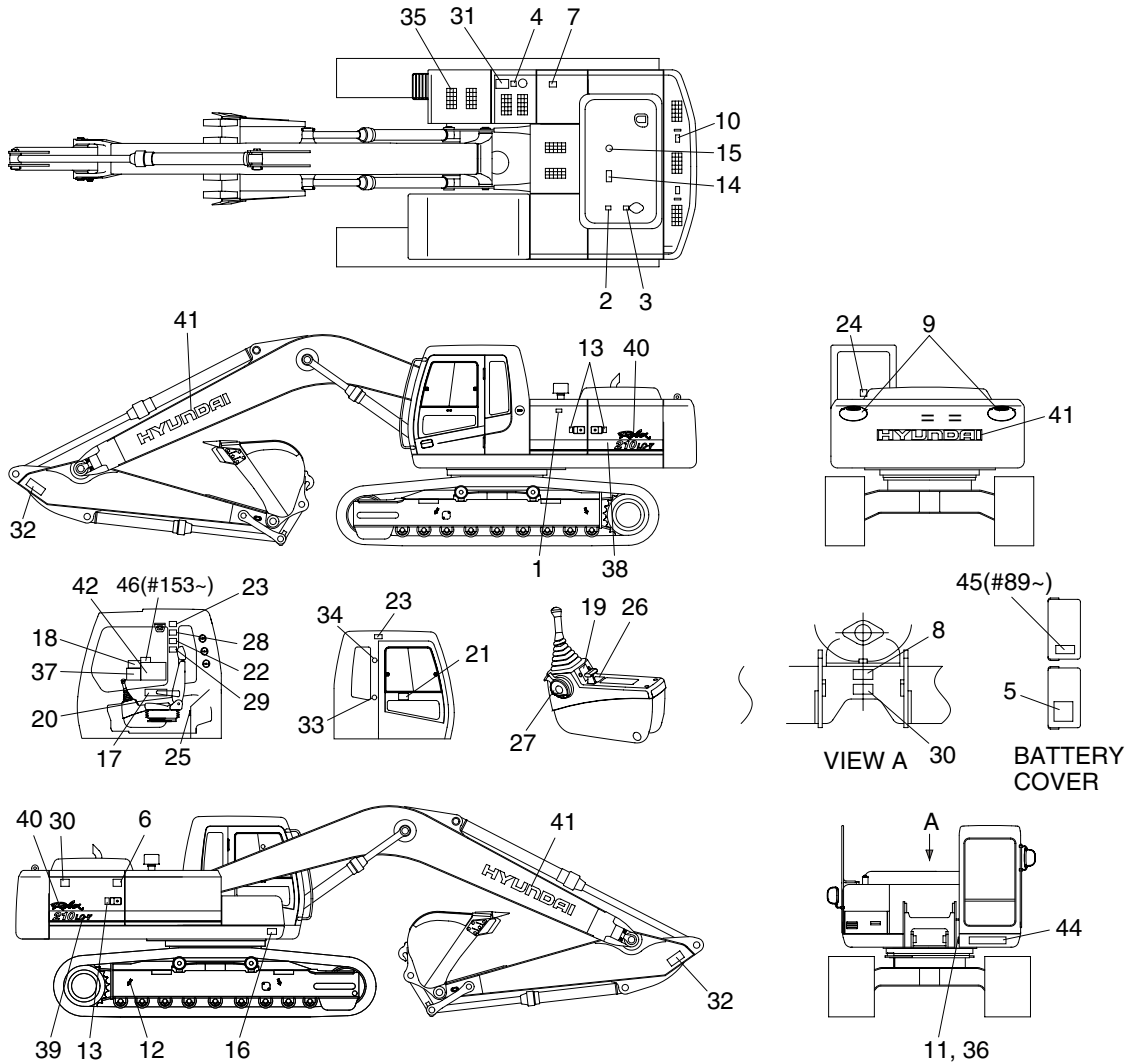
TABLE TO ENTER SERIAL NO. AND DISTRIBUTOR	
--	--

Machine Serial No.	
Engine Serial No.	
Manufacturing year	
Manufacturer Address	Hyundai Heavy Industries co., Ltd. 1 Chonha-Dong, Dong-Ku Ulsan The Republic of Korea.
Distributor for U.S.A Address	Hyundai Heavy Industries U.S.A, Inc 955 Estes Avenue EIK Grove village IL, 60001 U.S.A
Distributor for Europe Address	Hyundai Heavy Industries Europe N. V. Vossendal 11 2240 Geel Belgium
Dealer Address	

SAFETY LABELS

1. LOCATION

Always keep these labels clean. If they are lost or damaged, attach them again or replace them with a new label.



- | | | | | | |
|----|---------------------------|----|------------------------|----|---------------------|
| 1 | Air cleaner filter | 17 | Public permission | 33 | Hammer |
| 2 | Turbo charger cover | 18 | Control ideogram | 34 | Fire extinguisher |
| 3 | Radiator cap | 19 | Control ideogram(LH) | 35 | Step tread |
| 4 | Fueling | 20 | Control ideogram(RH) | 36 | Rivet |
| 5 | Battery accident | 21 | Ref operator manual | 37 | Lifting chart |
| 6 | Hydraulic oil level | 22 | Max height | 38 | Model name(LH) |
| 7 | Hydraulic oil lubrication | 23 | Safety front window | 39 | Model name(RH) |
| 8 | Reduction gear grease | 24 | Alternate exit | 40 | Logo-robex |
| 9 | Keep clear | 25 | Air conditioner filter | 41 | Trade mark |
| 10 | Lifting eye | 26 | Console box tilting | 42 | Service instruction |
| 11 | Name plate | 27 | Safety lever | 43 | Spec sheet |
| 12 | Slings ideogram | 28 | Interference | 44 | Overall width |
| 13 | Stay fix | 29 | Locking clamp | 45 | MCU connector(#89~) |
| 14 | Shearing engine hood | 30 | High pressure-hose | 46 | Turbocharger(#153~) |
| 15 | No step engine hood | 31 | Falling | | |
| 16 | Transporting | 32 | Keep clear boom/arm | | |

2107H0SL01

2. DESCRIPTION

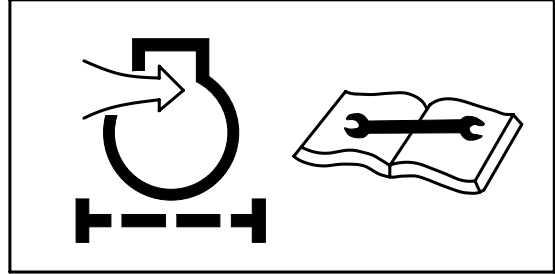
There are several specific warning labels on this machine please become familiarized with all warning labels.

Replace any safety label that is damaged, or missing.

1) AIR CLEANER FILTER(Item 1)

This warning label is positioned on the air cleaner cover.

- ※ **Periodic and proper inspection, cleaning and change of elements prolong engine life time and maintain the good performance of engine.**



21070FW01

2) TURBO CHARGER COVER(Item 2)

This warning label is positioned on the turbo charger cover.

- ▲ **Do not touch turbo charger or it may cause severe burn.**



21070FW02

3) RADIATOR CAP(Item 3)

This warning label is positioned on the radiator.

- ▲ **Never open the filler cap while engine running or at high coolant temperature.**

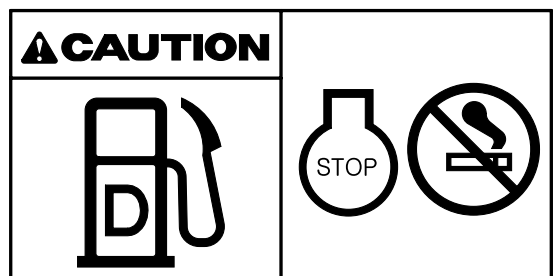


14070FW03

4) FUELING(Item 4)

This warning label is positioned on the right side of fuel filler neck.

- ▲ **Stop the engine when refueling. All lights or flames shall be kept at a safe distance while refueling.**



21070FW04

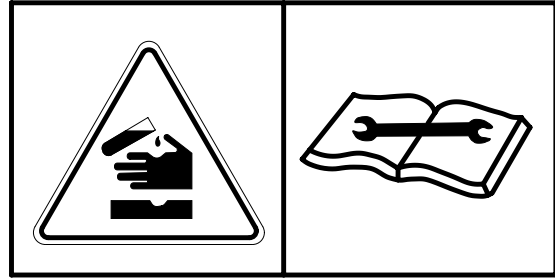
5) BATTERY CORROSIVE (Item 5)

This warning label is positioned on the battery cover.

▲ Electrolyte containing sulfuric acid cause severe burns. Avoid being in contact with skin, eyes or clothes. In the event of accident flush with sufficient water, call a physician immediately.

※ **Maintain the electrolyte at the recommended level. Add distilled water to the battery only when starting up, never when shutting down.**

With electrolyte at proper level, less space may cause the gases to be accumulated in the battery.



21070FW05

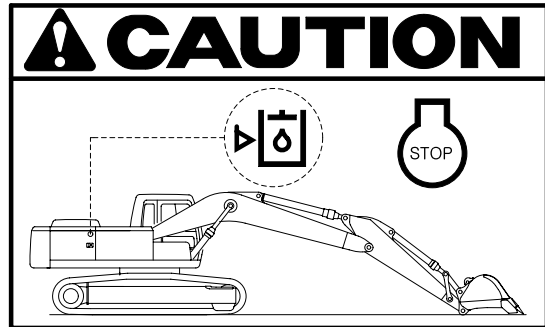
6) HYDRAULIC OIL LEVEL (Item 6)

This warning label is positioned on the left side of hydraulic oil level.

▲ Place the bucket on the ground whenever servicing the hydraulic system.

※ **Check oil level on the level gauge.**

※ **Refill the recommended hydraulic oil up to specified level if necessary.**



21070FW07

7) HYDRAULIC OIL LUBRICATION (Item 7)

This warning label is positioned on the right side of air breather.

※ **Do not mix with different brand oils.**

▲ Never open the filler cap while engine running or at high hydraulic oil temperature.

Loosen the cap slowly and release internal pressure completely.

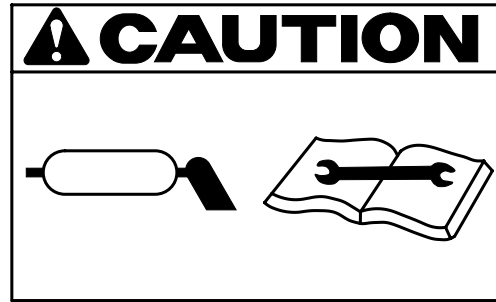


21070FW08

8) REDUCTION GEAR GREASE(Item 8)

This warning label is positioned in the front of upper frame.

- ▲ **Grease is under high pressure.**
Grease coming out of the grease plug under pressure can penetrate the body causing injury or death.



21070FW35

9) KEEP CLEAR(Item 9)

This warning label is positioned on the counterweight.

- ▲ **To prevent serious personal injury or death keep clear of machine swing radius.**
- ▲ **Do not deface or remove this label from the machine.**

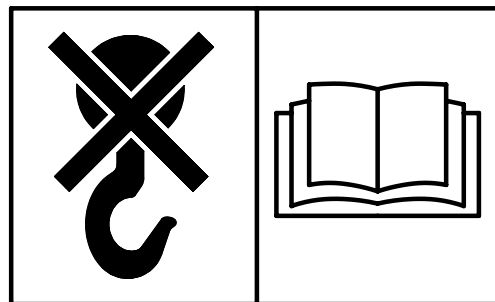


21070FW09

10) LIFTING EYE(Item 10)

This warning label is positioned on the counterweight.

- ▲ **Do not lift the machine by using lifting eyes on the counterweight or the lifting eyes may be subject to overload causing its breaking and possible personal injury.**
- ※ See page 5-7 for proper lifting method of the machine.

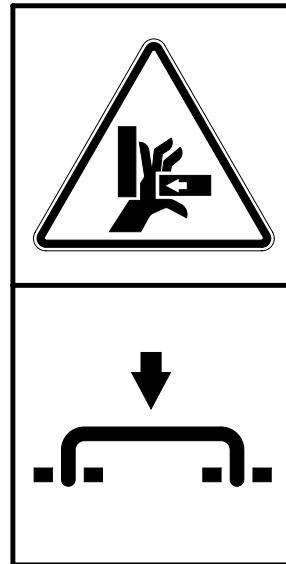


21070FW10

11) STAY FIX (Item 13)

This warning label is positioned on the side cover.

- ▲ Be sure to support the stay when the door needs to be opened.
- ▲ Be careful that the opened door may be closed by the external or natural force like strong wind.

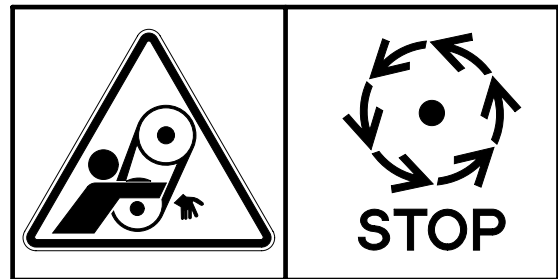


21070FW14

12) SHEARING-ENGINE HOOD (Item 14)

This warning label is positioned on the engine hood.

- ▲ Do not open the engine hood during the engine's running.
- ▲ Do not touch exhaust pipe or it may cause severe burn.

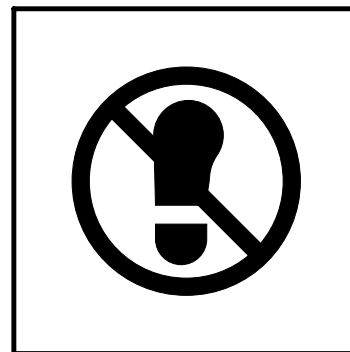


21070FW15

13) NO STEP-ENGINE HOOD (Item 15)

This warning label is positioned on the engine hood.

- △ Do not step on the engine hood.

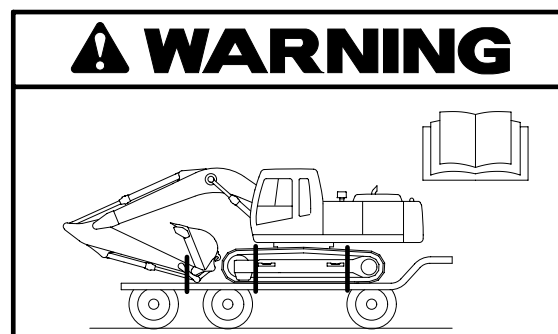


21070FW16

14) TRANSPORTING (Item 16)

This warning label is positioned right side of upper frame.

- ▲ Study the operator's manual before transporting the machine, if provided and tie down arm and track to the carrier with lashing wire.
- ※ See page 5-6 for details.



14070FW17

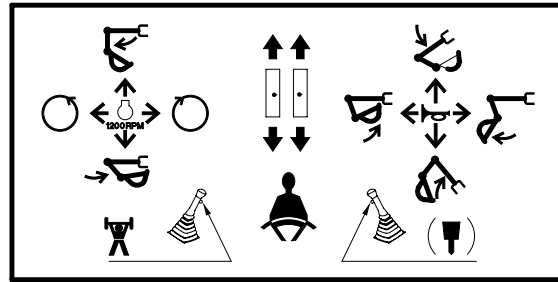
15) CONTROL IDEOGRAM (Item 18)

This warning label is positioned in right window of the cab.

▲ Check the machine control pattern for conformance to pattern on this label. If not, change label to match pattern before operating machine.

▲ Failure to do so could result in injury or death.

※ See page 4-14 for details.



21070FW19

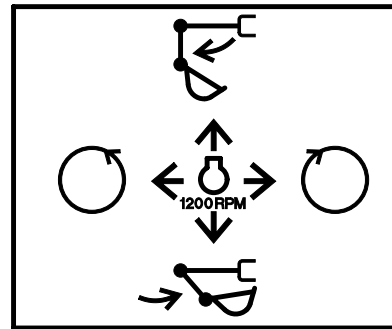
16) CONTROL IDEOGRAM-LH (Item 19)

This warning label is positioned on the LH console box.

▲ Check the machine control pattern for conformance to pattern on this label. If not, change label to match pattern before operating machine.

▲ Failure to do so could result in injury or death.

※ See page 4-14 for details.



21070FW20

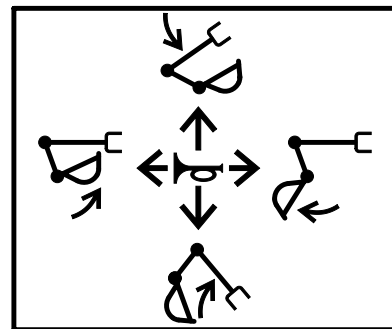
17) CONTROL IDEOGRAM-RH (Item 20)

This warning label is positioned on the RH console box.

▲ Check the machine control pattern for conformance to pattern on this label. If not, change label to match pattern before operating machine.

▲ Failure to do so could result in injury or death.

※ See page 4-14 for details.

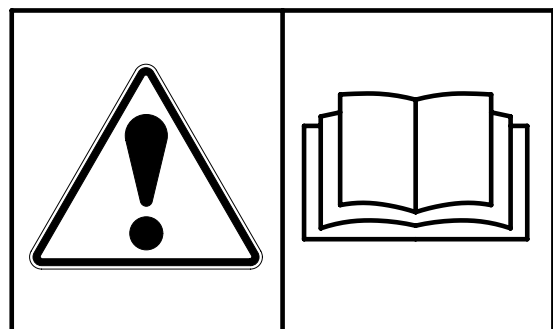


21070FW21

18) REF OPERATOR MANUAL (Item 21)

This warning label is positioned on the right side frame of the cab.

▲ Study the operator's manual before starting and operating machine.



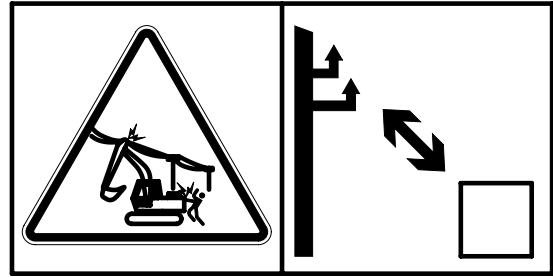
21070FW22

19) MAX HEIGHT (Item 22)

This warning label is positioned on the right side frame of the cab.

▲ Serious injury or death can result from contact with electric lines.

An electric shock being received by merely coming into the vicinity of an electric lines, the minimum distance should be kept considering the supply voltage as page 1-7.

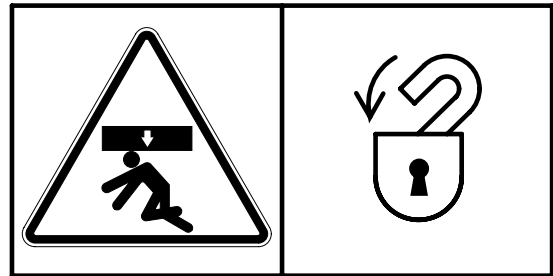


21070FW23

20) SAFETY FRONT WINDOW (Item 23)

This warning label is positioned on the both side frame of the cab.

▲ Be careful that the front window may be promptly closed.

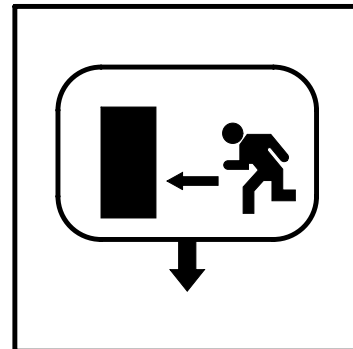


21070FW24

21) ALTERNATE EXIT (Item 24)

This warning label is positioned on the inside of rear window.

- ※ The rear window serves us an alternate exit.
- ※ To remove rear window, pull the ring and push out the glass.

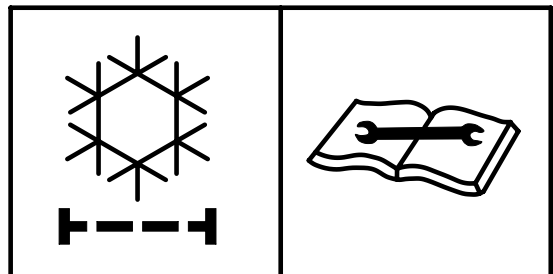


21070FW25

22) AIR CONDITIONER FILTER (Item 25)

This warning label is positioned on the air conditioner cover up.

- ※ Periodic and proper inspection, cleaning and change of filter prolong air conditioner life time and maintain good performance.

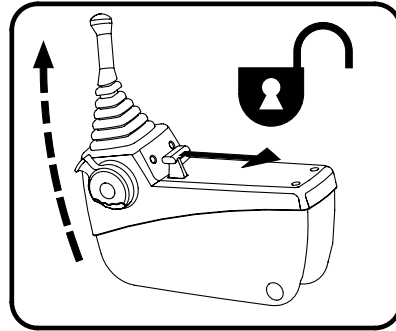


21070FW26

23) CONSOLE BOX TILTING (Item 26)

This warning label is positioned on the LH console box.

- ※ Before you get off the machine be sure to tilt the LH console box.

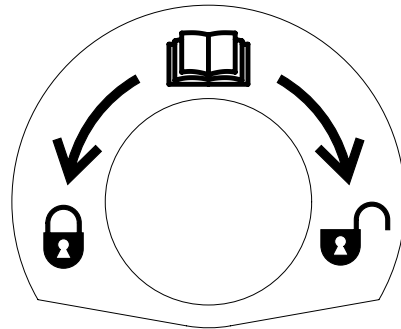


21070FW27

24) SAFETY LEVER (Item 27)

This warning label is positioned on the cover safety.

- ⚠ Before you get off the machine be sure to place the safety lever LOCKED position.

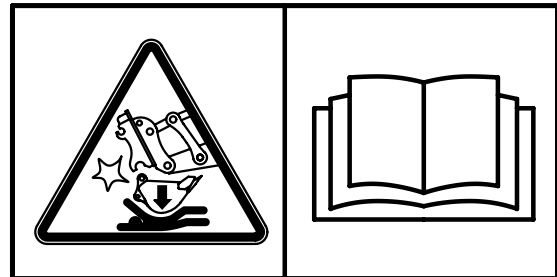


21070FW28

25) CLAMP-LOCKING (Item 29)

This warning label is positioned on the right side window of cab.

- ⚠ Serious injury or death can result from dropping bucket.
- ⚠ Operating the machine with quick clamp switch unlocked or without safety pin of moving hook can cause the bucket to drop off.



14070FW60

26) MCU CONNECTOR(Item 45)

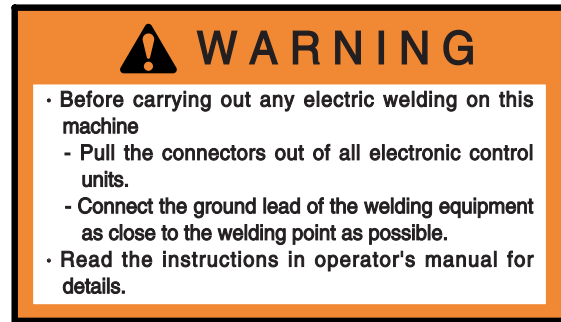
This warning label is positioned on the battery cover.

▲ Before carrying out any electric welding on this machine.

Pull the connector out of all electric control units.

▲ Connector the ground lead of the welding equipment as close to the welding point as possible.

※ See page 6-41 for detail.

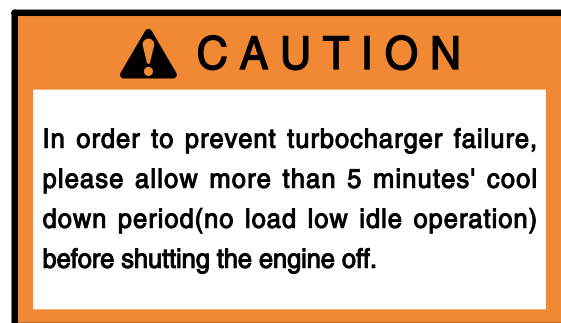


7807AFW20

27) TURBOCHARGER(Item 46)

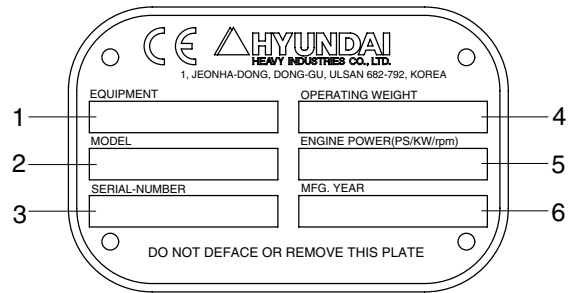
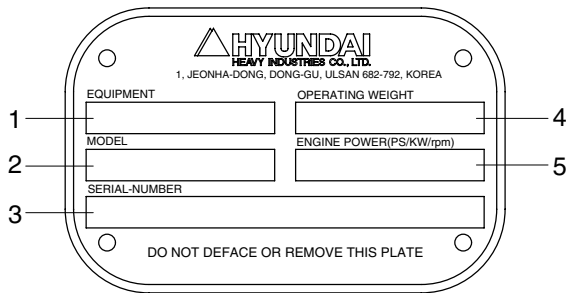
This warning label is positioned in right window of the cab.

▲ In order to prevent turbocharger failure, please allow more than 5 minutes' cool down period(no load low idle operation) before shutting the engine off.



7807AFW20

MACHINE DATA PLATE



FOR EU ONLY

21090FW10

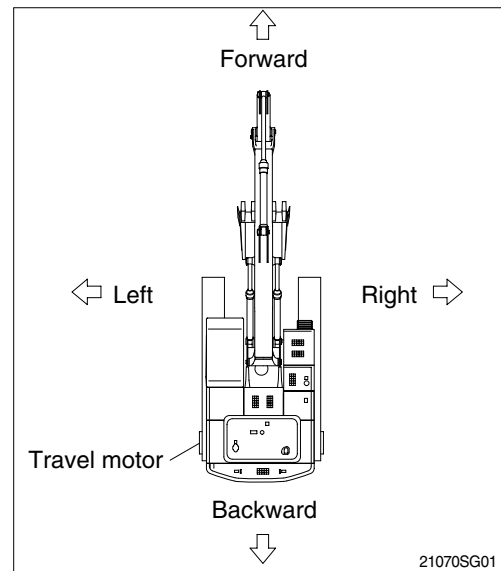
- | | | | | | |
|---|------------|---|------------------|---|--------------------|
| 1 | Equipment | 3 | Serial number | 5 | Engine power |
| 2 | Model name | 4 | Operating weight | 6 | Manufacturing year |

※ The machine serial number assigned to this particular machine and should be used when requesting information or ordering service parts for this machine from your authorized HYUNDAI dealer. The machine serial number is also stamped on the frame.

GUIDE

1. DIRECTION

The direction of this manual indicate forward, backward, right and left on the standard of operator when the travel motor is in the rear and machine is on the traveling direction.

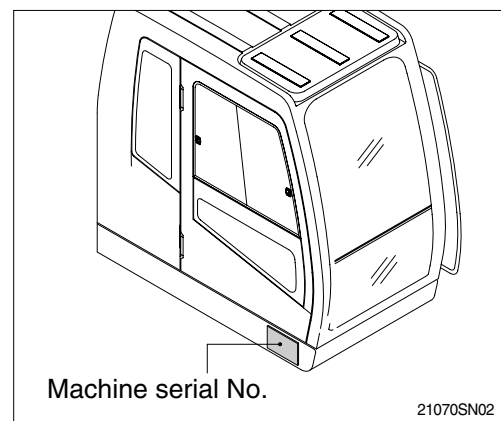


2. SERIAL NUMBER

Inform following when you order parts or the machine is out of order.

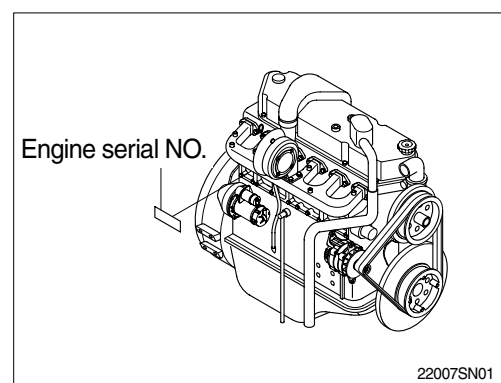
1) MACHINE SERIAL NUMBER

The numbers are located below the right window of the operator's cab.



2) ENGINE SERIAL NUMBER

The numbers are located on the engine name plate.



3. SYMBOLS

▲ Important safety hint.

△ It indicates matters which can cause the great loss on the machine or the surroundings.

※ It indicates the useful information for operator.