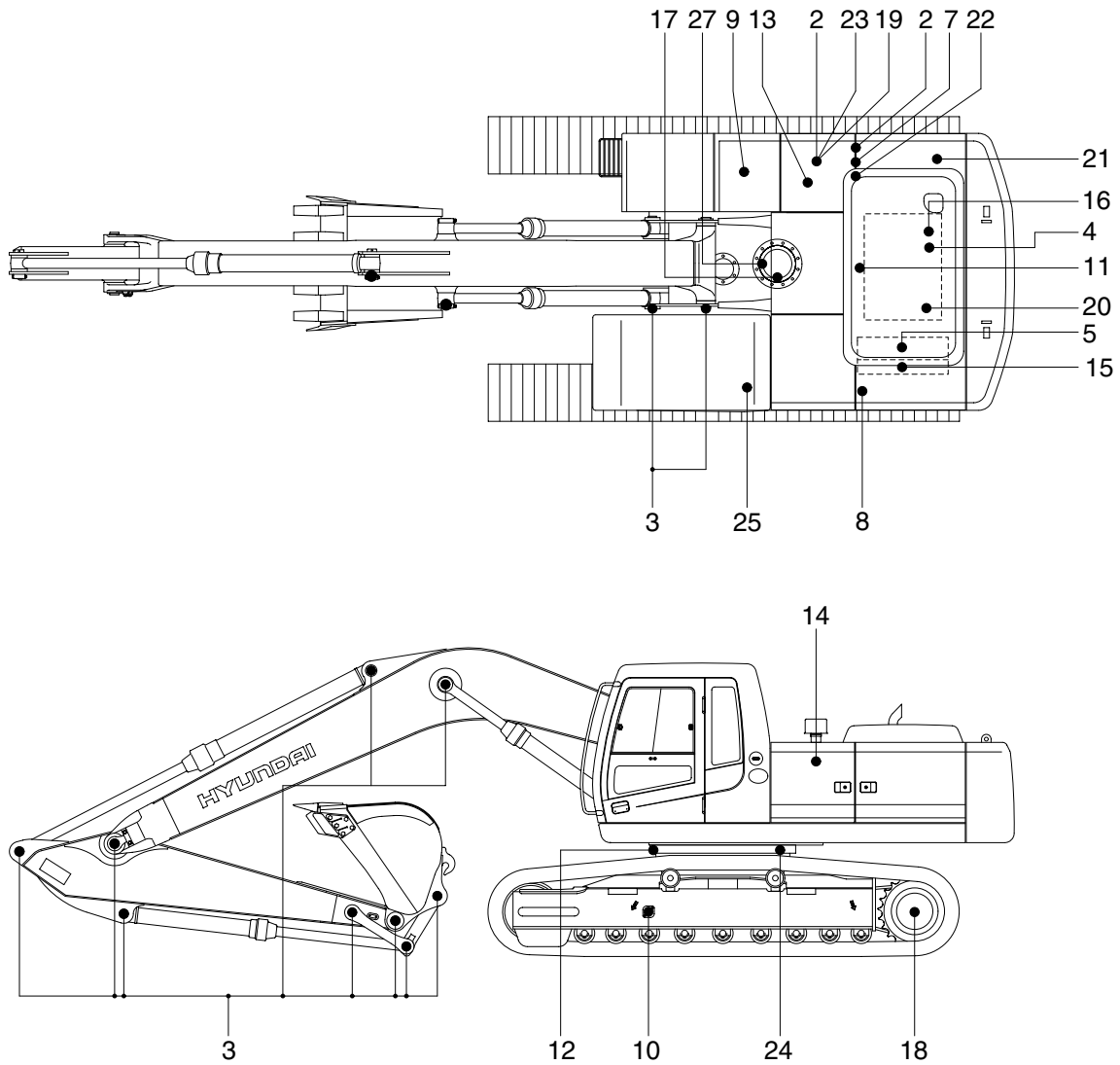


5. MAINTENANCE CHART



2107H6MA05

Caution

1. Service intervals are based on the hour meter reading.
2. The number of each item shows the lubrication point on the machine.
3. Stop engine while filling oil, and use no open flames.
4. For other details, refer to the service manual.

Service interval	No.	Description	Service action	Oil symbol	Capacity l (U.S.gal)	Service points No.
10 Hours or daily	2	Hydraulic oil level	Check, Add	HO	180(48)	1
	4	Engine oil level	Check, Add	EO	24(6.34)	1
	5	Radiator coolant	Check, Add	C	35(9.2)	1
	7	Prefilter	Check, Drain	-	-	1
	20	Fan belt tension and damage	Check	-	-	1
50 Hours or weekly	3	Attachment pins & chamber	Check, Add	PGL	-	17
	9	Fuel tank(Water, sediment)	Check, Clean	-	-	1
	10	Track tension	Check, Adjust	PGL	0.3(0.08)	2
	12	Swing bearing grease	Check, Add	PGL	-	3
	17	Swing reduction gear case	Check, Add	GO	5.0(1.3)	1
250 Hours	4	Engine oil level	Change	EO	24(6.34)	1
	8	Battery(Voltage)	Check, Add	-	-	1
	11	Engine oil filter	Replace	-	-	1
	13	Hydraulic oil return filter	Replace	-	-	1
	21	Pilot line filter element	Replace	-	-	1
	22	Drain filter cartridge	Replace	-	-	1
	23	Air breather element	Replace	-	-	1
	25	Air con and heater flesh filter	Check, Clean	-	-	1
500 Hours	7	Prefilter	Replace	-	-	1
	14	Air cleaner element(Primary)	Check, Clean	-	-	1
	15	Radiator, cooler fin, charge air cooler	Check, Clean	-	-	3
	16	Fuel filter element	Replace	-	-	1
1000 Hours	17	Swing reduction gear case	Change	GO	5.0(1.3)	1
	18	Travel reduction gear case	Change	GO	5.8(1.5)	2
	24	Swing gear and pinion	Change	PGL	11.7kg(25.8lb)	1
2000 Hours	2	Hydraulic oil	Change	HO	180(48)	1
	5	Radiator coolant	Change	C	35(9.2)	1
	19	Hydraulic oil suction strainer	Check, Clean	-	-	1
As required	14	Air cleaner element(Primary, safety)	Check, Replace	-	-	2
	25	Aircon and heater flesh filter	Replace	-	-	1
	25	Aircon and heater recirculation filter	Clean, Replace	-	-	1

※ **Oil symbol**

Please refer to the recommended lubricants for specification.

DF : Diesel fuel GO : Gear oil
HO : Hydraulic oil C : Coolant
PGL : Grease EO : Engine oil