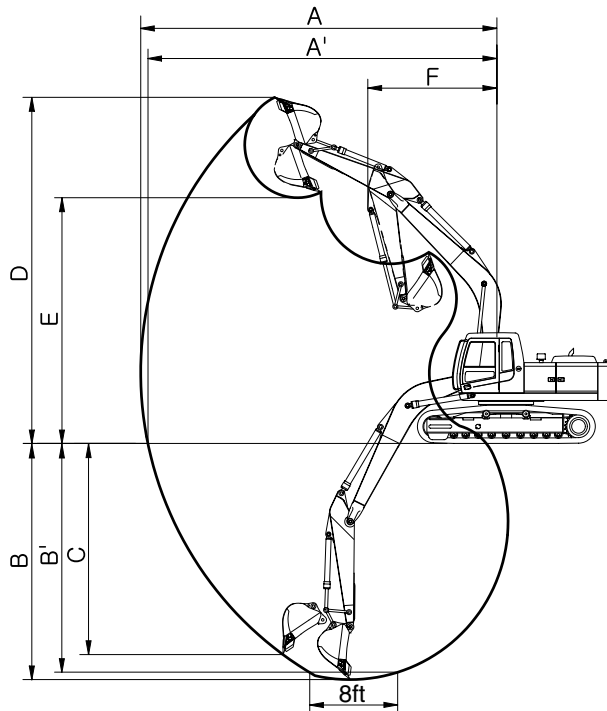


### 3. WORKING RANGE

#### 1) R210LC-7H/R220LC-7H [5.68m(18' 8") BOOM]



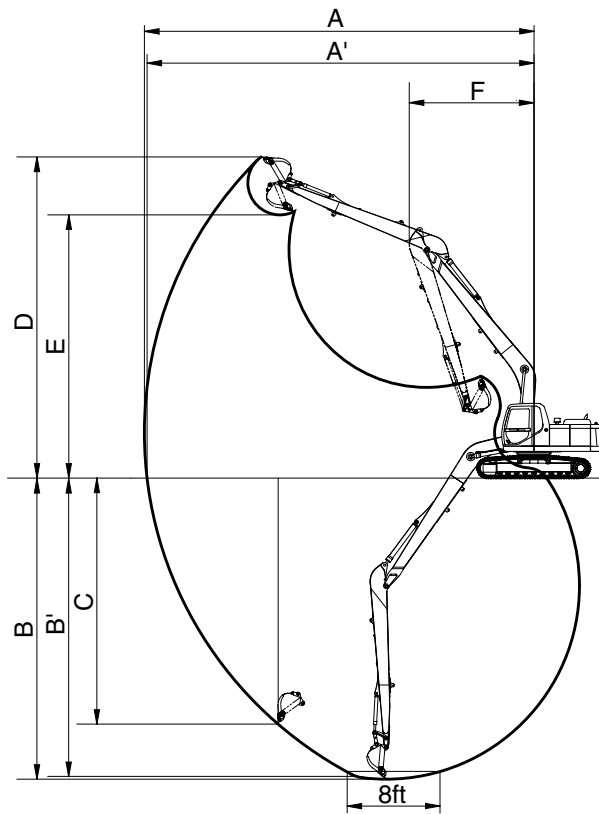
21072SP03

Description		2.0m(6' 7") Arm	2.40m(7'10") Arm	*2.92m(9' 7") Arm	3.90m(12'10") Arm
Max digging reach	A	9140mm (30' 0")	9500mm (31' 2")	9940mm (32' 7")	(35'10")
Max digging reach on ground	A'	8960mm (29' 5")	9330mm (30' 7")	9780mm (32' 1")	(35' 4")
Max digging depth	B	5820mm (19' 1")	6220mm (20' 5")	6740mm (22' 1")	(25' 4")
Max digging depth(8ft level)	B'	5580mm (18' 4")	6010mm (19' 9")	6550mm (21' 6")	(24'10")
Max vertical wall digging depth	C	5280mm (17' 4")	5720mm (18' 9")	6120mm (20' 1")	(23' 9")
Max digging height	D	9140mm (30' 0")	9340mm (30' 8")	9470mm (31' 1")	(33' 2")
Max dumping height	E	6330mm (20' 9")	6520mm (21' 5")	6670mm (21' 1")	(23'11")
Min swing radius	F	3750mm (12' 4")	3740mm (12' 3")	3640mm (11'11")	(11'12")
Bucket digging force	SAE	133 [146]kN	133 [146]kN	133 [146]kN	133 [146]kN
		13600 [14840]kgf	13600 [14840]kgf	13600 [14840]kgf	13600 [14840]kgf
		29980 [32710]lbf	29980 [32710]lbf	29980 [32710]lbf	29980 [32710]lbf
	ISO	152 [166]kN	152 [166]kN	152 [166]kN	152 [166]kN
		15500 [16910]kgf	15500 [16910]kgf	15500 [16910]kgf	15500 [16910]kgf
		34170 [37280]lbf	34170 [37280]lbf	34170 [37280]lbf	34170 [37280]lbf
Arm digging force	SAE	135 [148]kN	113 [123]kN	97 [106]kN	79 [87]kN
		13800 [15050]kgf	11500 [12550]kgf	9900 [10800]kgf	8100 [8840]kgf
		30420 [33190]lbf	25350 [27650]lbf	21830 [23810]lbf	17860 [19480]lbf
	ISO	142 [155]kN	118 [128]kN	101 [110]kN	85 [93]kN
		14500 [15820]kgf	12000 [13090]kgf	10300 [11240]kgf	8700 [9490]kgf
		31970 [34880]lbf	26460 [28870]lbf	22710 [24770]lbf	19170 [20910]lbf

[ ] : Power boost

\* : Standard

2) R210LC-7H/R220LC-7H LONG REACH [8.2m(26' 11") BOOM]



29072SP08

Description		6.3m(20' 8") Arm
Max digging reach	A	15220(50' 0")
Max digging reach on ground	A'	15120(49' 7")
Max digging depth	B	11760(38' 7")
Max digging depth (8ft level)	B'	11650(38' 3")
Max vertical wall digging depth	C	9610(31' 6")
Max digging height	D	12550(41' 2")
Max dumping height	E	10280(33' 8")
Min swing radius	F	4870(16' 0")
Bucket digging force	SAE	72.6 kN
		7400 kgf
		16310 lbf
	ISO	83.4 kN
		8500 kgf
		18740 lbf
Arm crowd force	SAE	49.0 kN
		5000 kgf
		11020 lbf
	ISO	50.0 kN
		5100 kgf
		11240 lbf