

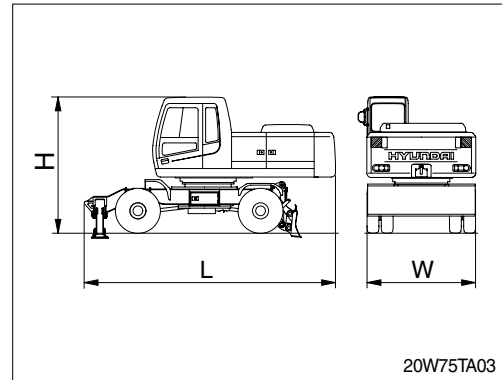
### 3. DIMENSION AND WEIGHT

#### 1) ROBEX 200W-7A

##### (1) Base machine

Mark	Description	Unit	Specification
L	Length	mm (ft-in)	5220 (17' 2")
H	Height	mm (ft-in)	3190 (10' 6")
W	Width	mm (ft-in)	2495 (8' 2")
Wt	Weight	kg (lb)	16200 (35720)

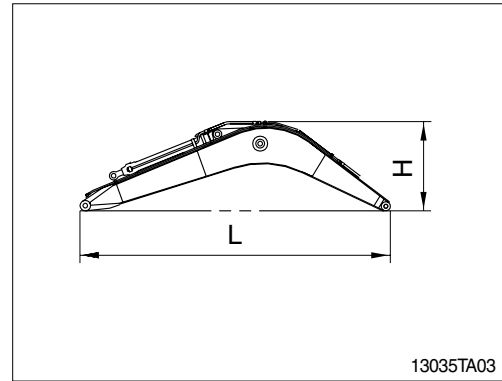
※ 3400kg (7500lb) counterweight.



##### (2) Boom assembly

Mark	Description	Unit	Specification
L	Length	mm (ft-in)	5840 (19' 2")
H	Height	mm (ft-in)	1550 ( 5' 1")
W	Width	mm (ft-in)	630 ( 2' 1")
Wt	Weight	kg (lb)	1870 (4120)

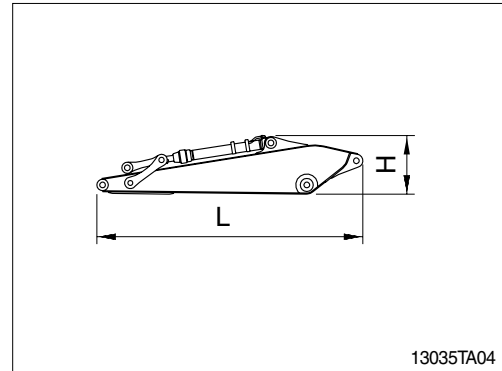
※ 5.65m (18' 6") boom with arm cylinder (Included piping and pins).



##### (3) Arm assembly

Mark	Description	Unit	Specification
L	Length	mm (ft-in)	3900 (12'10")
H	Height	mm (ft-in)	870 ( 2' 10")
W	Width	mm (ft-in)	350 ( 1' 2")
Wt	Weight	kg (lb)	1040 (2290)

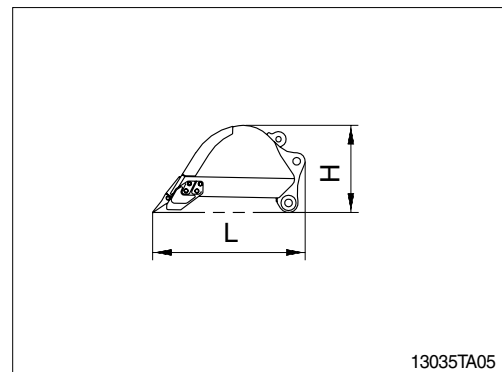
※ 2.90m (9' 6") arm with bucket cylinder (Included linkage and pins).



##### (4) Bucket assembly

Mark	Description	Unit	Specification
L	Length	mm (ft-in)	1600 ( 5' 3")
H	Height	mm (ft-in)	980 ( 3' 3")
W	Width	mm (ft-in)	1160 ( 3' 10")
Wt	Weight	kg (lb)	650 (1430)

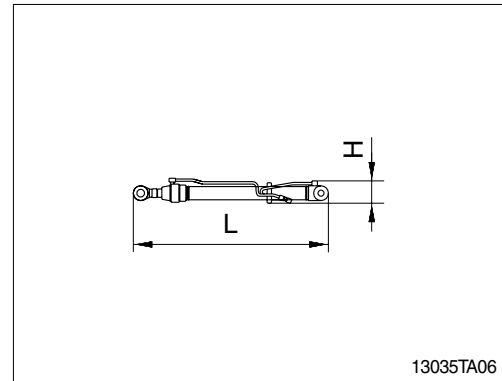
※ 0.80m<sup>3</sup> (1.05yd<sup>3</sup>) SAE heaped bucket (Included tooth and side cutters).



### (5) Boom cylinder

Mark	Description	Unit	Specification
L	Length	mm(ft-in)	1960 ( 6' 5"
H	Height	mm (ft-in)	230 ( 0' 9"
W	Width	mm (ft-in)	330 ( 1' 1"
Wt	Weight (2EA)	kg (lb)	380 (840)

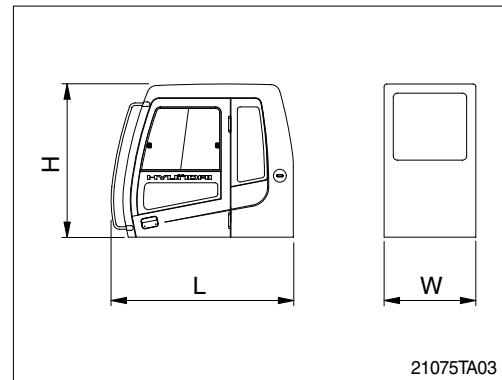
※ Included piping.



13035TA06

### (6) Cab assembly

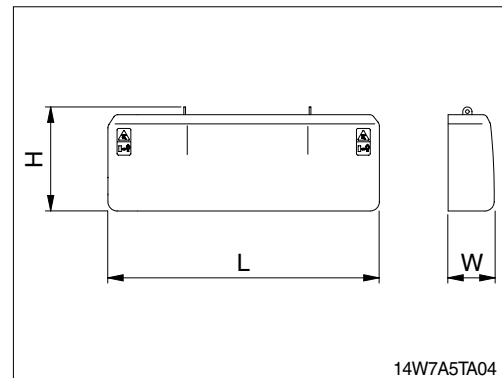
Mark	Description	Unit	Specification
L	Length	mm (ft-in)	1962 ( 6' 4"
H	Height	mm (ft-in)	1676 ( 5' 5"
W	Width	mm (ft-in)	1288 ( 4' 2"
Wt	Weight	kg (lb)	310 (680)



21075TA03

### (7) Counterweight

Mark	Description	Unit	Specification
L	Length	mm (ft-in)	2700 ( 8' 10"
H	Height	mm (ft-in)	1050 ( 3' 5"
W	Width	mm (ft-in)	560 (1' 10"
Wt	Weight	kg (lb)	3400 (7500)



14W7A5TA04