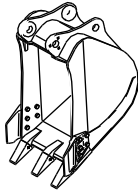
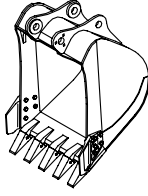
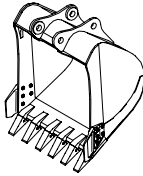



## 6. BUCKET SELECTION GUIDE


### 1) GENERAL BUCKET


		
0.51m <sup>3</sup> SAE heaped bucket	※ 0.80, 0.87, 0.92, 1.10, 1.20m <sup>3</sup> SAE heaped bucket	1.34m <sup>3</sup> SAE heaped bucket

Capacity		Width		Weight	Recommendation		
SAE heaped	CECE heaped	Without side cutter	With side cutter		5.65m (18' 6") boom		
					2.0m arm (6' 7")	2.4m arm (7' 10")	2.90m arm (9' 6")
0.51m <sup>3</sup> (0.67yd <sup>3</sup> )	0.45m <sup>3</sup> (0.59yd <sup>3</sup> )	700mm (27.6")	820mm (32.3")	570kg (1260lb)			
※ 0.80m <sup>3</sup> (1.05yd <sup>3</sup> )	0.70m <sup>3</sup> (0.92yd <sup>3</sup> )	1000mm (39.4")	1120mm (44.1")	700kg (1540lb)			
0.87m <sup>3</sup> (1.14yd <sup>3</sup> )	0.75m <sup>3</sup> (0.98yd <sup>3</sup> )	1090mm (42.9")	1210mm (47.6")	740kg (1630lb)			
0.92m <sup>3</sup> (1.20yd <sup>3</sup> )	0.80m <sup>3</sup> (1.05yd <sup>3</sup> )	1150mm (45.3")	1270mm (50.0")	770kg (1700lb)			
1.10m <sup>3</sup> (1.44yd <sup>3</sup> )	0.96m <sup>3</sup> (1.26yd <sup>3</sup> )	1320mm (52.0")	1440mm (56.7")	830kg (1830lb)			
1.20m <sup>3</sup> (1.57yd <sup>3</sup> )	1.00m <sup>3</sup> (1.31yd <sup>3</sup> )	1400mm (55.1")	1520mm (60.0")	850kg (1870lb)			
1.34m <sup>3</sup> (1.75yd <sup>3</sup> )	1.15m <sup>3</sup> (1.50yd <sup>3</sup> )	1550mm (61.0")	1670mm (65.7")	920kg (2030lb)			

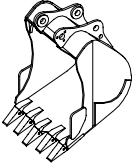
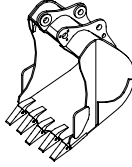
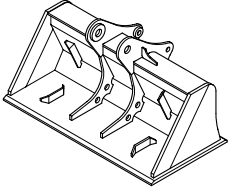
※ : Standard bucket

 Applicable for materials with density of 2000kg/m<sup>3</sup> (3370lb/yd<sup>3</sup>) or less

 Applicable for materials with density of 1600kg/m<sup>3</sup> (2700lb/yd<sup>3</sup>) or less

 Applicable for materials with density of 1100kg/m<sup>3</sup> (1850lb/yd<sup>3</sup>) or less

## 2) HEAVY DUTY, ROCK AND SLOPE FINISHING BUCKET

Heavy duty bucket	Rock bucket	Slope finishing bucket
		
◆ 0.74, 0.90, 1.05m <sup>3</sup> SAE heaped bucket	◎ 0.87m <sup>3</sup> SAE heaped bucket	■ 0.75m <sup>3</sup> SAE heaped bucket

Capacity		Width		Weight	Recommendation		
SAE heaped	CECE heaped	Without side cutter	With side cutter		5.65m (18' 6") boom		
					2.0m arm (6' 7")	2.4m arm (7' 10")	2.90m arm (9' 6")
◆ 0.74m <sup>3</sup> (0.97yd <sup>3</sup> )	0.65m <sup>3</sup> (0.85yd <sup>3</sup> )	985mm (38.8")	-	770kg (1700lb)			
◆ 0.90m <sup>3</sup> (1.18yd <sup>3</sup> )	0.80m <sup>3</sup> (1.05yd <sup>3</sup> )	1070mm (42.1")	-	810kg (1790lb)			
◆ 1.05m <sup>3</sup> (1.37yd <sup>3</sup> )	0.92m <sup>3</sup> (1.20yd <sup>3</sup> )	1430mm (56.3")	-	890kg (1960lb)			
◎ 0.87m <sup>3</sup> (1.14yd <sup>3</sup> )	0.75m <sup>3</sup> (0.98yd <sup>3</sup> )	1140mm (44.9")	-	900kg (1980lb)			
■ 0.75m <sup>3</sup> (0.98yd <sup>3</sup> )	0.65m <sup>3</sup> (0.85yd <sup>3</sup> )	1790mm (70.5")	-	880kg (1940lb)			

◆ : Heavy duty bucket    ◎ : Rock bucket    ■ : Slope finishing bucket

Applicable for materials with density of 2000kgf/m<sup>3</sup> (3370lbf/yd<sup>3</sup>) or less

Applicable for materials with density of 1600kgf/m<sup>3</sup> (2700lbf/yd<sup>3</sup>) or less

Applicable for materials with density of 1100kgf/m<sup>3</sup> (1850lbf/yd<sup>3</sup>) or less