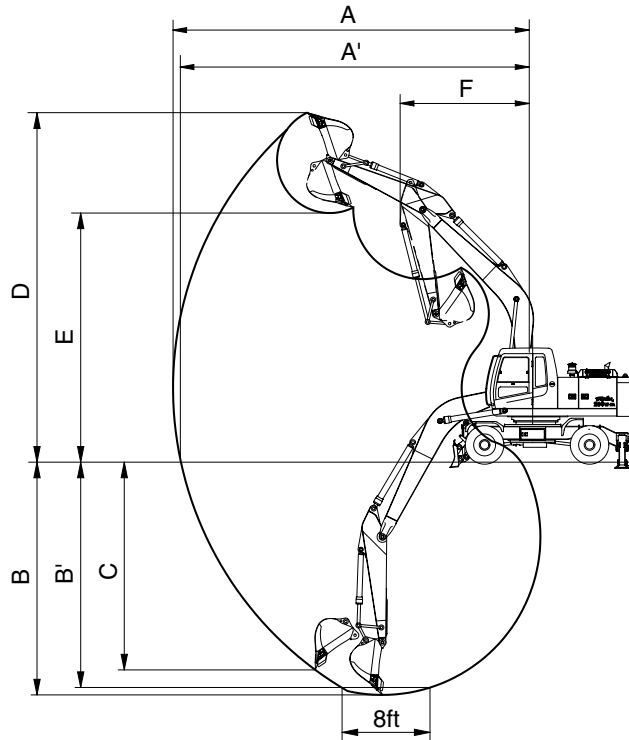


3. WORKING RANGE

5.65m (18' 6") BOOM



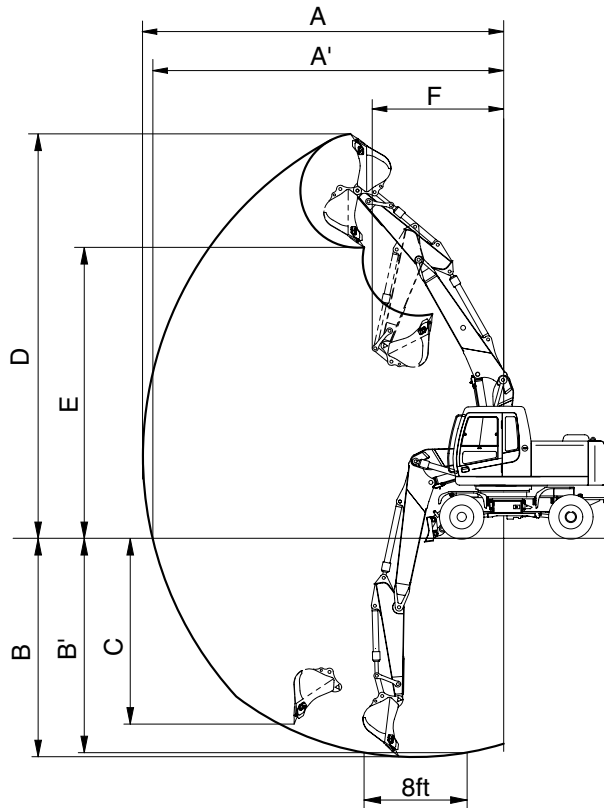
20W7A2SP03

Description		2.0m (6' 7") Arm	2.40m (7' 10") Arm	*2.90m (9' 6") Arm
Max digging reach	A	9110mm (29'11")	9480mm (31' 1")	9900mm (32' 6")
Max digging reach on ground	A'	8870mm (29' 1")	9260mm (30' 5")	9690mm (31' 9")
Max digging depth	B	5480mm (18' 0")	5880mm (19' 3")	6380mm (20'11")
Max digging depth (8ft level)	B'	5240mm (17' 2")	5670mm (18' 7")	6210mm (20' 4")
Max vertical wall digging depth	C	4970mm (16' 4")	5440mm (17'10")	5810mm (19' 1")
Max digging height	D	9500mm (31' 2")	9730mm (31'11")	9870mm (32' 5")
Max dumping height	E	6670mm (21'11")	6900mm (22' 8")	7050mm (23' 2")
Min swing radius	F	3700mm (12' 2")	3620mm (11'11")	3540mm (11' 7")
Bucket digging force	SAE	133 [146]kN	133 [146] kN	133 [146] kN
		13600 [14840]kgf	13600 [14840] kgf	13600 [14840] kgf
		29980 [32710]lbf	29980 [32710] lbf	29980 [32710] lbf
	ISO	152 [166]kN	152 [166] kN	152 [166] kN
		15500 [16910]kgf	15500 [16910] kgf	15500 [16910] kgf
		34170 [37280]lbf	34170 [37280] lbf	34170 [37280] lbf
Arm digging force	SAE	135 [148]kN	113 [123] kN	97 [106] kN
		13800 [15050]kgf	11500 [12550] kgf	9900 [10800] kgf
		30420 [33190]lbf	25350 [27650] lbf	21830 [23810] lbf
	ISO	142 [155]kN	118 [128] kN	101 [110] kN
		14500 [15820]kgf	12000 [13090] kgf	10300 [11240] kgf
		31970 [34880]lbf	26460 [28870] lbf	22710 [24770] lbf

[] : Power boost

* : Standard

2) 5.65m (18' 6") HYDRAULIC ADJUSTABLE BOOM



20W7A2SP05

Description		2.0m (6' 7") Arm	2.40m (7' 10") Arm	*2.90m (9' 6") Arm
Max digging reach	A	8970mm (29' 5")	9340mm (30' 8")	9720mm (31'11")
Max digging reach on ground	A'	8731mm (28' 8")	9110mm (29'11")	9500mm (31' 2")
Max digging depth	B	5069mm (16' 8")	5460mm (17'11")	5940mm (19' 6")
Max digging depth (8ft level)	B'	4874mm (15' 2")	5270mm (17' 4")	5770mm (18'12")
Max vertical wall digging depth	C	4147mm (13' 7")	4570mm (14'12")	5030mm (16' 6")
Max digging height	D	10281mm (33' 9")	10570mm (34' 8")	10830mm (35' 6")
Max dumping height	E	7373mm (24' 2")	7660mm (25' 2")	7930mm (26' 0")
Min swing radius	F	2821mm (9' 3")	2540mm (8' 4")	2330mm (7' 8")
Bucket digging force	SAE	133 [146] kN	133 [146] kN	133 [146] kN
		13600 [14840] kgf	13600 [14840] kgf	13600 [14840] kgf
		29980 [32710] lbf	29980 [32710] lbf	29980 [32710] lbf
	ISO	152 [166] kN	152 [166] kN	152 [166] kN
		15500 [16910] kgf	15500 [16910] kgf	15500 [16910] kgf
		34170 [37280] lbf	34170 [37280] lbf	34170 [37280] lbf
Arm digging force	SAE	135 [148] kN	113 [123] kN	97 [106] kN
		13800 [15050] kgf	11500 [12550] kgf	9900 [10800] kgf
		30420 [33190] lbf	25350 [27650] lbf	21830 [23810] lbf
	ISO	142 [155] kN	118 [128] kN	101 [110] kN
		14500 [15820] kgf	12000 [13090] kgf	10300 [11240] kgf
		31970 [34880] lbf	26460 [28870] lbf	22710 [24770] lbf

[] : Power boost

* : Standard