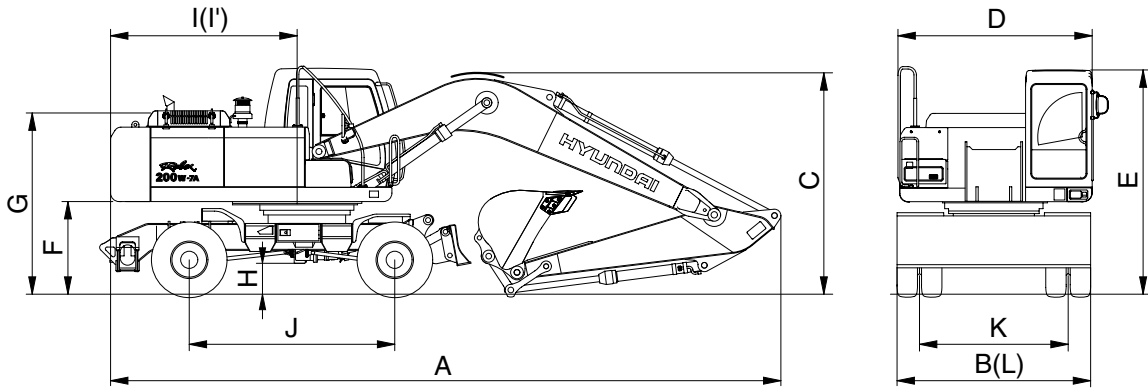


2. SPECIFICATIONS

1) 5.65m (18' 6") ONE PIECE BOOM, 2.90m (9' 6") ARM, FRONT OUTRIGGER AND REAR DOZER BLADE



20W7A2SP02

Description		Unit	Specification
Operating weight		kg (lb)	20500(45200)
Bucket capacity (SAE heaped), standard		m ³ (yd ³)	0.80 (1.05)
Overall length	A	mm (ft-in)	9490 (31' 2")
Overall width	B		2490 (8' 2")
Overall height of boom	C		3100 (10' 2")
Upperstructure width	D		2530 (8' 4")
Cab height	E		3180 (10' 5")
Ground clearance of counterweight	F		1310 (4' 3")
Engine cover height	G		2570 (8' 5")
Minimum ground clearance	H		345 (1' 2")
Rear-end distance	I		2765 (9' 1")
Rear-end swing radius	I'		2800 (9' 2")
Wheel base	J		2800 (9' 2")
Tread	K		1874 (6' 2")
Dozer blade width	L		2490 (8' 2")
Travel speed	Low		km/hr (mph)
	High	33 (20.5)	
Swing speed		rpm	11.0
Gradeability		Degree (%)	31.5 (61)