

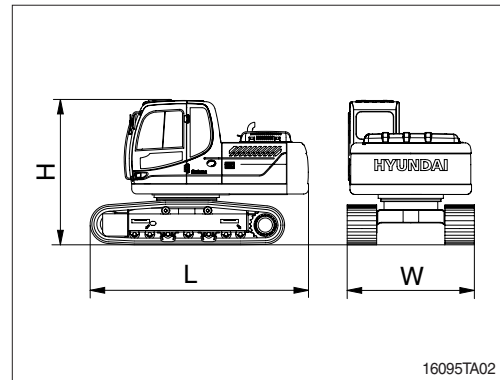
## 2. DIMENSION AND WEIGHT

### 1) R180LC-9

#### (1) Base machine

| Mark | Description | Unit       | Specification |
|------|-------------|------------|---------------|
| L    | Length      | mm (ft-in) | 4160 (13' 8") |
| H    | Height      | mm (ft-in) | 2960 ( 9' 9") |
| W    | Width       | mm (ft-in) | 2850 ( 9' 4") |
| Wt   | Weight      | kg (lb)    | 15150 (33400) |

※ With 600 mm (24") triple grouser shoes and 2950 kg (6500 lb) counterweight.

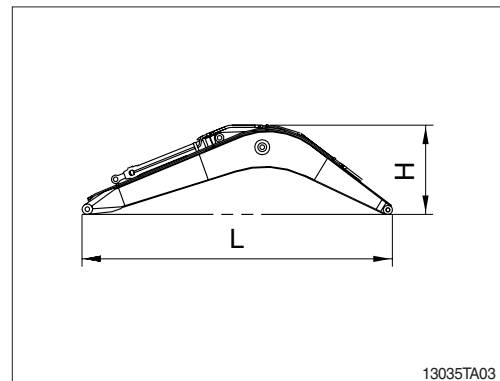


16095TA02

#### (2) Boom assembly

| Mark | Description | Unit       | Specification |
|------|-------------|------------|---------------|
| L    | Length      | mm (ft-in) | 5290 (17' 4") |
| H    | Height      | mm (ft-in) | 1460 ( 4' 9") |
| W    | Width       | mm (ft-in) | 590 ( 1' 11") |
| Wt   | Weight      | kg (lb)    | 1250 (2760)   |

※ 5.1 m (16' 9") boom with arm cylinder (Included piping and pins).

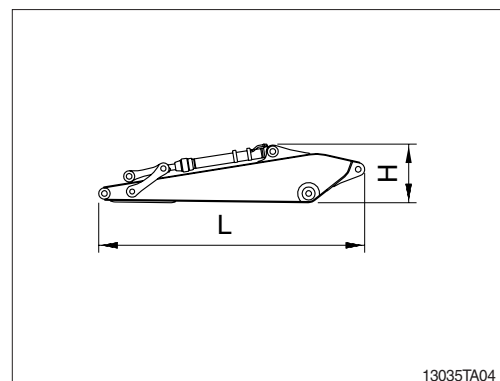


13035TA03

#### (3) Arm assembly

| Mark | Description | Unit       | Specification |
|------|-------------|------------|---------------|
| L    | Length      | mm (ft-in) | 3480 (11' 5") |
| H    | Height      | mm (ft-in) | 760 ( 2' 6")  |
| W    | Width       | mm (ft-in) | 450 ( 1' 6")  |
| Wt   | Weight      | kg (lb)    | 800 (1760)    |

※ 2.6 m (8' 6") arm with bucket cylinder (Included linkage and pins).

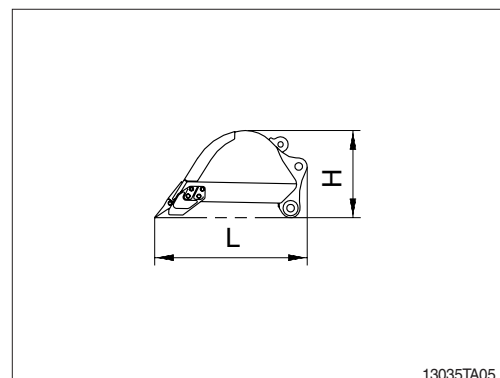


13035TA04

#### (4) Bucket assembly

| Mark | Description | Unit       | Specification  |
|------|-------------|------------|----------------|
| L    | Length      | mm (ft-in) | 940 ( 3' 1")   |
| H    | Height      | mm (ft-in) | 1510 ( 4' 11") |
| W    | Width       | mm (ft-in) | 1180 ( 3' 10") |
| Wt   | Weight      | kg (lb)    | 570 (1260)     |

※ 0.76 m<sup>3</sup> (0.99 yd<sup>3</sup>) SAE heaped bucket (Included tooth and side cutters).

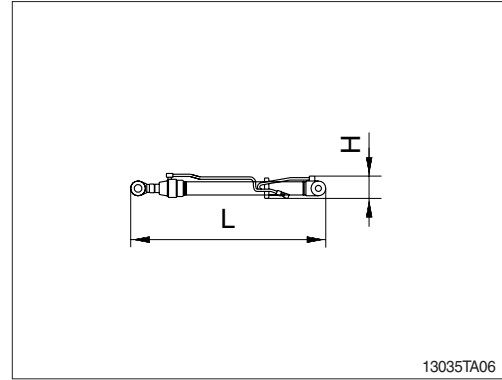


13035TA05

### (5) Boom cylinder

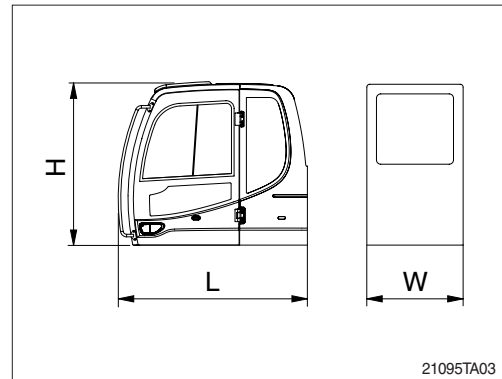
| Mark | Description  | Unit       | Specification  |
|------|--------------|------------|----------------|
| L    | Length       | mm (ft-in) | 1780 ( 5' 10") |
| H    | Height       | mm (ft-in) | 230 ( 0' 9")   |
| W    | Width        | mm (ft-in) | 330 ( 1' 1")   |
| Wt   | Weight (2EA) | kg (lb)    | 320 (705)      |

※ Included piping.



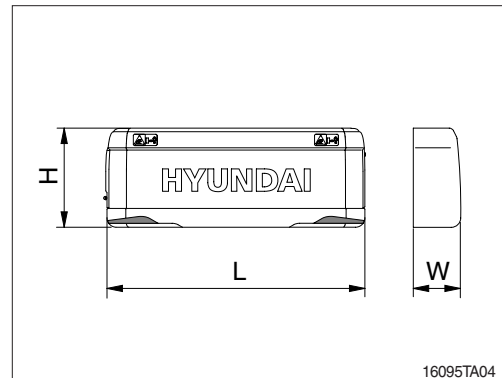
### (6) Cab assembly

| Mark | Description | Unit       | Specification |
|------|-------------|------------|---------------|
| L    | Length      | mm (ft-in) | 2000 ( 6' 7") |
| H    | Height      | mm (ft-in) | 1740 ( 5' 9") |
| W    | Width       | mm (ft-in) | 1288 ( 4' 2") |
| Wt   | Weight      | kg (lb)    | 500 (1100)    |



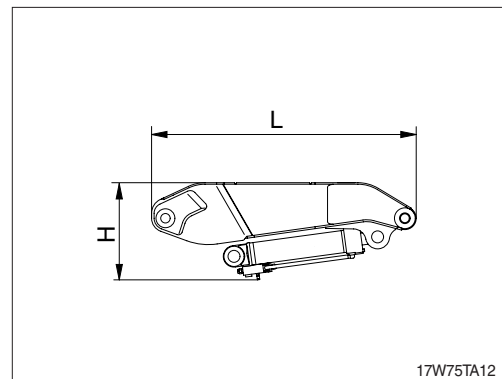
### (7) Counterweight

| Mark | Description | Unit       | Specification |
|------|-------------|------------|---------------|
| L    | Length      | mm (ft-in) | 2475 ( 8' 1") |
| H    | Height      | mm (ft-in) | 1050 ( 3' 5") |
| W    | Width       | mm (ft-in) | 440 ( 1' 5")  |
| Wt   | Weight      | kg (lb)    | 2900 (6395)   |



### (8) 1st boom

| Mark | Description | Unit       | Specification  |
|------|-------------|------------|----------------|
| L    | Length      | mm (ft-in) | 2110 ( 6' 11") |
| H    | Height      | mm (ft-in) | 830 ( 2' 9")   |
| W    | Width       | mm (ft-in) | 590 ( 1' 11")  |
| Wt   | Weight      | kg (lb)    | 770 (1700)     |



**(9) 2nd boom**

| Mark | Description | Unit       | Specification |
|------|-------------|------------|---------------|
| L    | Length      | mm (ft-in) | 3700 (12' 2") |
| H    | Height      | mm (ft-in) | 810 ( 2' 8")  |
| W    | Width       | mm (ft-in) | 570 ( 1' 10") |
| Wt   | Weight      | kg (lb)    | 970 (2140)    |

