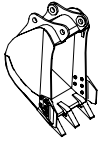
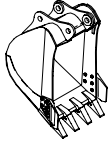
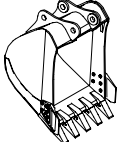
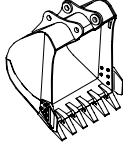
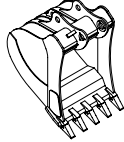


6. BUCKET SELECTION GUIDE

1) GENERAL BUCKET

				
0.39 m ³ SAE heaped bucket	0.50 m ³ SAE heaped bucket	0.64, 0.76 m ³ SAE heaped bucket	0.89, 1.05 m ³ SAE heaped bucket	◆0.69 m ³ SAE heaped bucket

Capacity		Width		Weight	Recommendation				
					5.1 m (16' 9") Mono boom			5.1 m (16' 9") Hyd adjustable boom	
SAE heaped	CECE heaped	Without side cutter	With side cutter		2.2 m arm (7' 3")	2.6 m arm (8' 6")	3.1 m arm (10' 2")	2.2 m arm (7' 3")	2.6 m arm (8' 6")
0.39 m ³ (0.51 yd ³)	0.34 m ³ (0.44 yd ³)	620 mm (24.4")	740 mm (29.1")	410 kg (900 lb)					
0.50 m ³ (0.65 yd ³)	0.44 m ³ (0.58 yd ³)	760 mm (29.9")	880 mm (34.6")	470 kg (1040 lb)					
0.64 m ³ (0.84 yd ³)	0.55 m ³ (0.72 yd ³)	920 mm (36.2")	1040 mm (40.9")	510 kg (1120 lb)					
0.76 m ³ (0.99 yd ³)	0.65 m ³ (0.85 yd ³)	1060 mm (41.7")	1180 mm (46.5")	570 kg (1260 lb)					
0.89 m ³ (1.16 yd ³)	0.77 m ³ (1.01 yd ³)	1220 mm (48.0")	1340 mm (52.8")	610 kg (1340 lb)					
1.05 m ³ (1.37 yd ³)	0.90 m ³ (1.18 yd ³)	1400 mm (55.1")	1520 mm (59.8")	680 kg (1500 lb)					
◆0.69 m ³ (0.90 yd ³)	0.62 m ³ (0.81 yd ³)	990 mm (39.0")	-	700 kg (1540 lb)					

◆ : Heavy duty bucket

 Applicable for materials with density of 2000 kg/m³ (3370 lb/yd³) or less

 Applicable for materials with density of 1600 kg/m³ (2700 lb/yd³) or less

 Applicable for materials with density of 1100 kg/m³ (1850 lb/yd³) or less