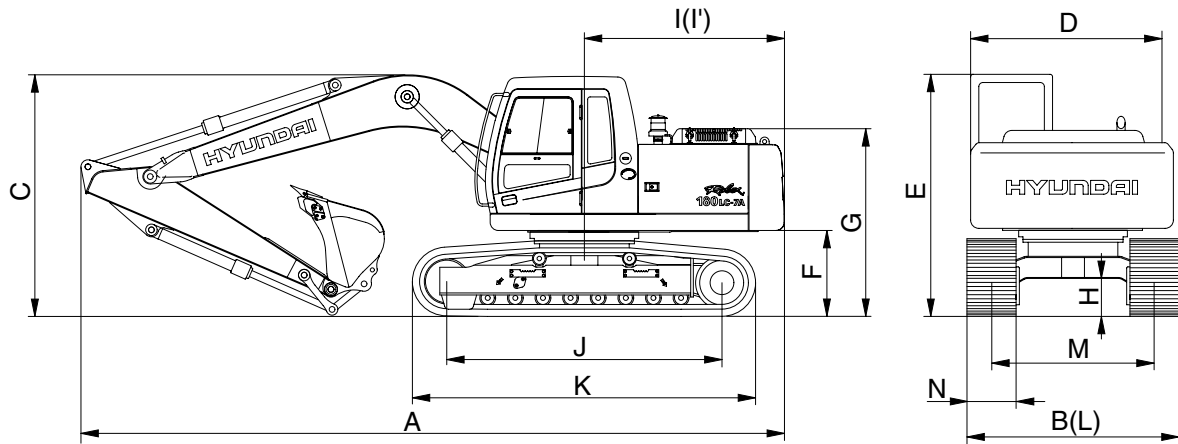


2. SPECIFICATIONS

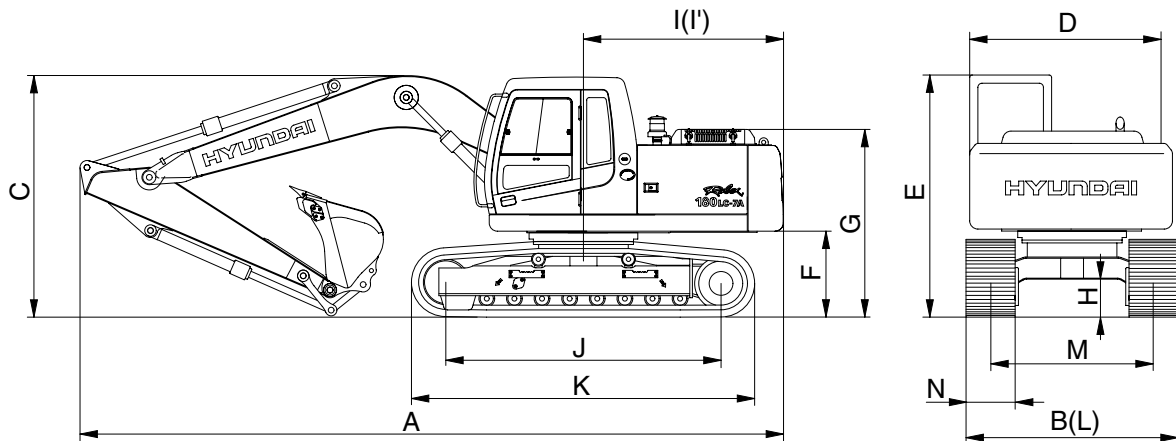
1) R180LC-7A



1807A2SP02

Description		Unit	Specification
Operating weight		kg (lb)	18200 (40120)
Bucket capacity (SAE heaped), standard		m ³ (yd ³)	0.76 (0.99)
Overall length	A	mm (ft-in)	8600 (28' 3")
Overall width, with 600mm shoe	B		2850 (9' 4")
Overall height	C		2910 (9' 7")
Superstructure width	D		2475 (8' 1")
Overall height of cab	E		2915 (9' 7")
Ground clearance of counterweight	F		1050 (3' 5")
Engine cover height	G		2295 (7' 6")
Minimum ground clearance	H		460 (1' 6")
Rear-end distance	I		2480 (8' 2")
Rear-end swing radius	I'		2530 (8' 4")
Distance between tumblers	J		3360 (11' 0")
Undercarriage length	K		4190 (13' 9")
Undercarriage width	L		2850 (9' 4")
Track gauge	M		2250 (7' 5")
Track shoe width, standard	N		600 (24")
Travel speed (Low/high)			km/hr (mph)
Swing speed		rpm	11.3
Gradeability		Degree (%)	30 (58)
Ground pressure (600mm shoe)		kgf/cm ² (psi)	0.42 (5.97)

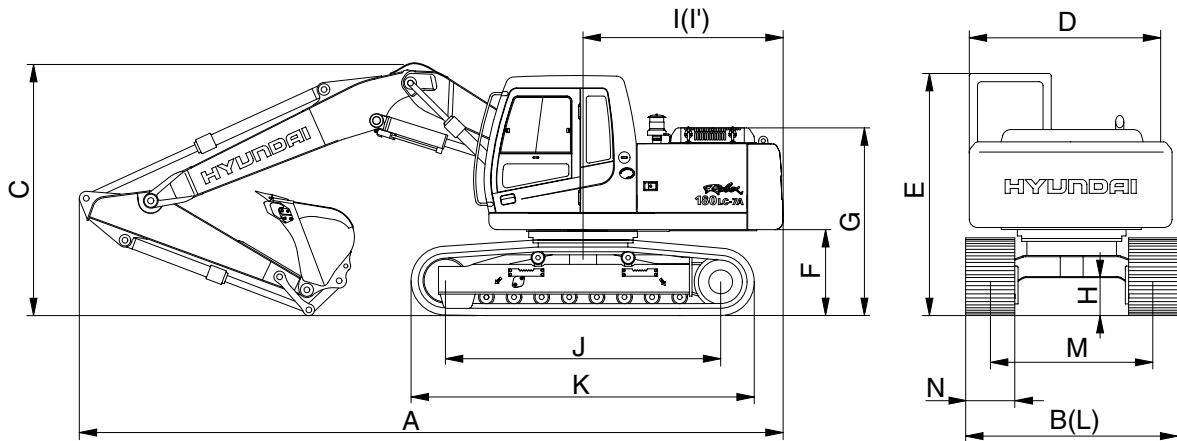
2) R180NLC-7A



1807A2SP02

Description		Unit	Specification
Operating weight		kg (lb)	18110 (39930)
Bucket capacity (SAE heaped), standard		m ³ (yd ³)	0.76 (0.99)
Overall length	A	mm (ft-in)	8600 (28' 3")
Overall width, with 600mm shoe	B		2590 (8' 6")
Overall height	C		2910 (9' 7")
Superstructure width	D		2475 (8' 1")
Overall height of cab	E		2915 (9' 7")
Ground clearance of counterweight	F		1050 (3' 5")
Engine cover height	G		2295 (7' 6")
Minimum ground clearance	H		460 (1' 6")
Rear-end distance	I		2480 (8' 2")
Rear-end swing radius	I'		2530 (8' 4")
Distance between tumblers	J		3360 (11' 0")
Undercarriage length	K		4190 (13' 9")
Undercarriage width	L		2590 (8' 6")
Track gauge	M		1990 (6' 6")
Track shoe width, standard	N		600 (24")
Travel speed (Low/high)			km/hr (mph)
Swing speed		rpm	11.3
Gradeability		Degree (%)	30 (58)
Ground pressure (600mm shoe)		kgf/cm ² (psi)	0.42 (5.97)

3) 5.1m (16' 9") HYDRAULIC ADJUSTABLE BOOM, 2.6m (8' 6") ARM



1807A2SP03

Description		Unit	Specification
Operating weight		kg (lb)	18200 (40120)
Bucket capacity (SAE heaped), standard		m ³ (yd ³)	0.76 (0.99)
Overall length	A	mm (ft-in)	8570 (28' 1")
Overall width, with 600mm shoe	B		2850 (9' 4")
Overall height	C		2820 (9' 3")
Superstructure width	D		2530 (8' 4")
Overall height of cab	E		2915 (9' 7")
Ground clearance of counterweight	F		1050 (3' 5")
Engine cover height	G		2295 (7' 6")
Minimum ground clearance	H		460 (1' 6")
Rear-end distance	I		2480 (8' 2")
Rear-end swing radius	I'		2530 (8' 4")
Distance between tumblers	J		3360 (11' 0")
Undercarriage length	K		4190 (13' 9")
Undercarriage width	L		2850 (9' 4")
Track gauge	M		2250 (6' 6")
Track shoe width, standard	N		600 (24")
Travel speed (Low/high)		km/hr (mph)	3.3/5.2 (2.1/3.2)
Swing speed		rpm	11.3
Gradeability		Degree (%)	30 (58)
Ground pressure (600mm shoe)		kgf/cm ² (psi)	0.42 (5.97)