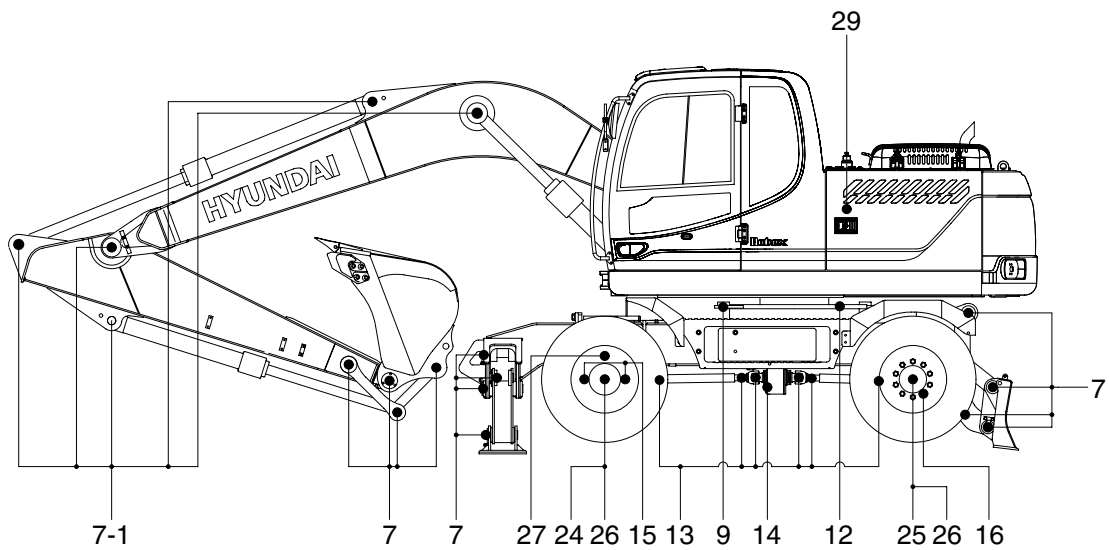
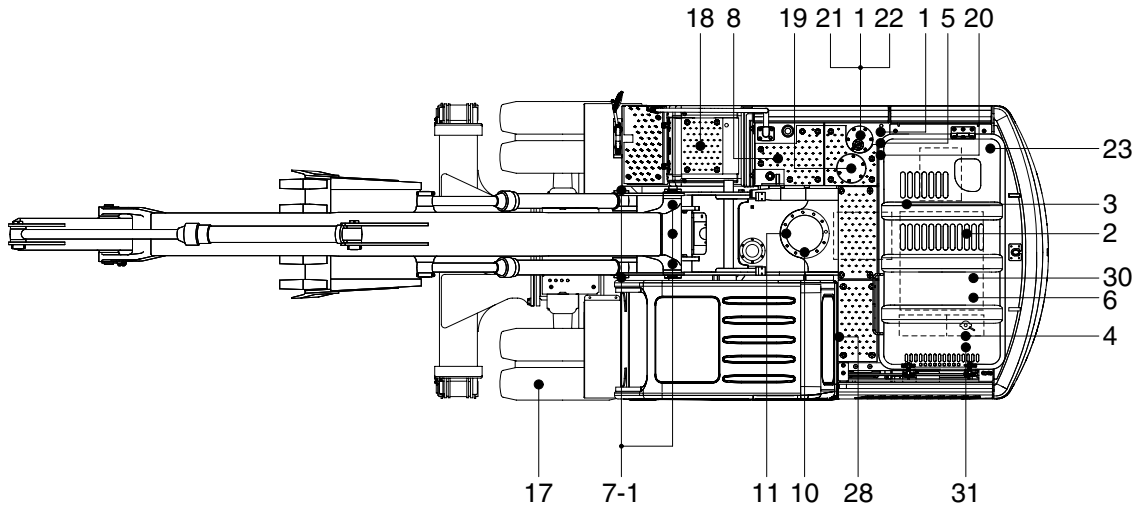


5. MAINTENANCE CHART



17W96MA05

Caution

1. Service intervals are based on the hour meter reading.
2. The number of each item shows the lubrication point on the machine.
3. Stop engine while filling oil, and use no open flames.
4. For other details, refer to the service manual.

Service interval	No.	Description	Service action	Oil symbol	Capacity l (U.S.gal)	Service points No.
10 Hours or daily	1	Hydraulic oil level	Check, Add	HO	124 (32.8)	1
	2	Engine oil level	Check, Add	EO	24 (6.3)	1
	4	Radiator coolant level	Check, Add	C	19.5 (5.2)	1
	5	Prefilter (water, element)	Check, Clean	-	-	1
	6	Fan belt tension & damage	Check, Clean	-	-	1
	50 Hours or weekly	7	Attachment pins & bushing	Check, Add	PGL	-
8		Fuel tank (water, sediment)	Check, Clean	DF	-	1
9		Swing bearing grease	Check, Add	PGL	-	3
10		Swing reduction gear case	Check, Add	GO	2.5 (0.7)	1
13		Drive shaft grease (flange bearing)	Check, Add	PGL	-	6
14		Transmission case	Check, Add	EO	2.5 (0.7)	1
15		Front axle pivot pin bushing	Check, Add	PGL	-	1
16		Wheel nuts	Check, Tighten	-	-	40
250 Hours	17	Tire (air pressure)	Check, Add	-	-	8
	7-1	Attachment pins & bushing	Check, Add	PGL	-	5
	11	Swing reduction gear grease	Check, Add	PGL	0.35kg(0.8lb)	1
	18	Battery (voltage)	Check	-	-	1
	21	Air breather element	Replace	-	-	1
	24	Front axle differential gear case	Check, Add	GO	10.5 (2.77)	1
	25	Rear axle differential gear case	Check, Add	GO	15.1 (4.0)	1
	26	Axle planetary gear case (front, rear)	Check, Add	GO	2.5 (0.66)	4
500 Hours	27	Front axle steering case	Check, Add	PGL	-	4
	28	Aircon & heater fresh air filter	Check, Clean	-	-	1
	2	Engine oil	Change	EO	24 (6.3)	1
	3	Engine oil filter	Replace	-	-	1
	5	Prefilter (water, element)	Replace	-	-	1
	29	Air cleaner element (primary)	Check, Clean	-	-	1
	30	Fuel filter element	Replace	-	-	1
1000 Hours	31	Radiator, oil cooler, charge air cooler	Check, Clean	-	-	3
	10	Swing reduction gear case	Change	GO	2.5 (0.7)	1
	11	Swing reduction gear grease	Change	PGL	0.35kg(0.8lb)	1
	12	Swing gear and pinion grease	Change	PGL	11.4kg (25.2lb)	1
	14	Transmission case	Change	EO	2.5 (0.7)	1
	19	Hydraulic oil return filter	Replace	-	-	1
	20	Drain filter cartridge	Replace	-	-	1
	23	Pilot line filter element	Replace	-	-	1
	24	Front axle differential gear case	Change	GO	10.5 (2.77)	1
	25	Rear axle differential gear case	Change	GO	15.1 (4.0)	1
2000 Hours	26	Axle planetary gear case (front, rear)	Change	PGL	2.5 (0.66)	4
	1	Hydraulic oil * ¹	Change	HO	124 (32.8)	1
	4	Radiator coolant	Change	C	19.5 (5.2)	1
5000 Hours	22	Hydraulic oil suction strainer	Check, Clean	-	-	1
	1	Hydraulic oil * ²	Change	HO	124 (32.8)	1
As required	28	Aircon & heater fresh filter	Replace	-	-	1
	28	Aircon & heater recirculation filter	Clean, Replace	-	-	1
	29	Air cleaner element (safety)	Replace	-	-	1
	29	Air cleaner element (primary)	Replace	-	-	1

*¹ Conventional hydraulic oil

*² Hyundai genuine long life hydraulic oil

※ Oil symbol

Please refer to the recommended lubricants for specification.

DF : Diesel fuel

GO : Gear oil

HO : Hydraulic oil

C : Coolant

PGL : Grease

EO : Engine oil