

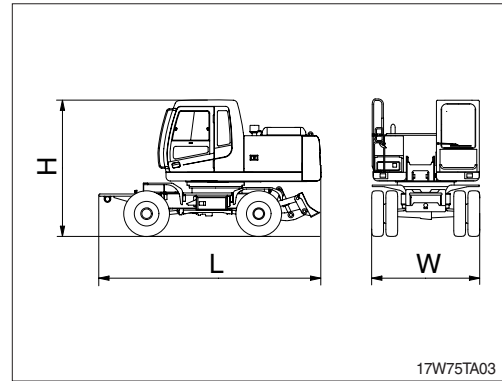
3. DIMENSION AND WEIGHT

1) ROBEX 170W-9

(1) Base machine

Mark	Description	Unit	Specification
L	Length	mm (ft-in)	5220 (17' 2")
H	Height	mm (ft-in)	3150 (10' 4")
W	Width	mm (ft-in)	2500 (8' 2")
Wt	Weight	kg (lb)	13310 (29340)

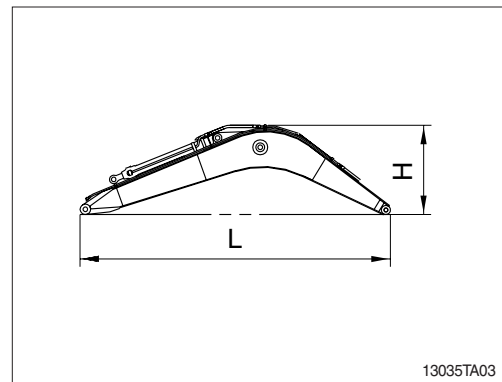
※ 2750 kg (6060 lb) counterweight.



(2) Boom assembly

Mark	Description	Unit	Specification
L	Length	mm (ft-in)	5290 (17' 4")
H	Height	mm (ft-in)	1460 (4' 9")
W	Width	mm (ft-in)	590 (1'11")
Wt	Weight	kg (lb)	1250 (2760)

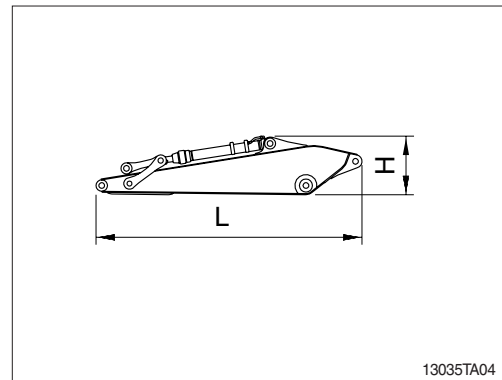
※ 5.1 m (16' 9") mono boom with arm cylinder (included piping and pins).



(3) Arm assembly

Mark	Description	Unit	Specification
L	Length	mm (ft-in)	3080 (10' 1")
H	Height	mm (ft-in)	790 (2' 7")
W	Width	mm (ft-in)	450 (1' 6")
Wt	Weight	kg (lb)	750 (1650)

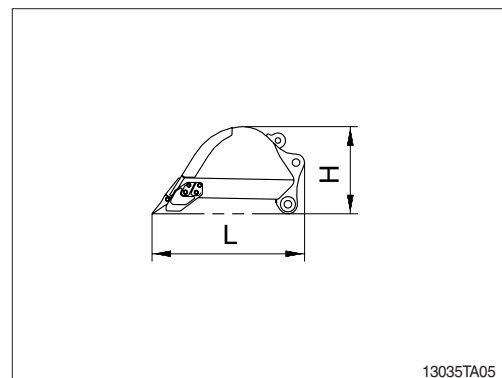
※ 2.2 m (7' 3") arm with bucket cylinder (included linkage and pins).



(4) Bucket assembly

Mark	Description	Unit	Specification
L	Length	mm (ft-in)	1510 (4'11")
H	Height	mm (ft-in)	940 (3' 3")
W	Width	mm (ft-in)	1180 (3' 10")
Wt	Weight	kg (lb)	570 (1260)

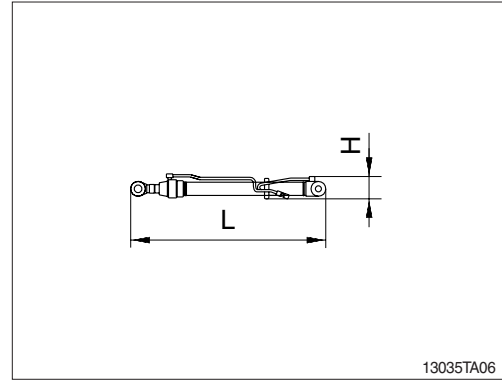
※ 0.76 m³ (0.99 yd³) SAE heaped bucket (included tooth and side cutters).



(5) Boom cylinder

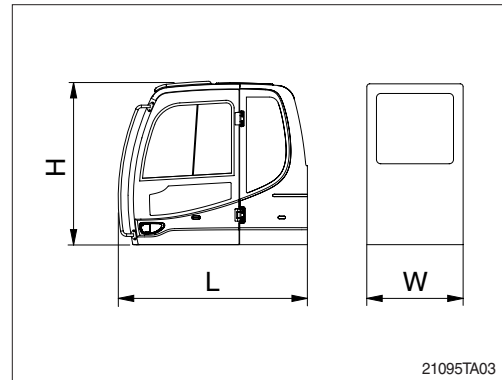
Mark	Description	Unit	Specification
L	Length	mm (ft-in)	1780 (5'10"
H	Height	mm (ft-in)	230 (0' 9"
W	Width	mm (ft-in)	330 (1' 1"
Wt	Weight	kg (lb)	320 (705)

※ Included piping.



(6) Cab assembly

Mark	Description	Unit	Specification
L	Length	mm (ft-in)	2000 (6' 7"
H	Height	mm (ft-in)	1740 (5' 9"
W	Width	mm (ft-in)	1288 (4' 2"
Wt	Weight	kg (lb)	500 (1100)



(7) Counterweight

Mark	Description	Unit	Specification
L	Length	mm (ft-in)	2475 (8' 1"
H	Height	mm (ft-in)	1050 (3' 5"
W	Width	mm (ft-in)	460 (1' 6"
Wt	Weight	kg (lb)	2750 (6060)

