

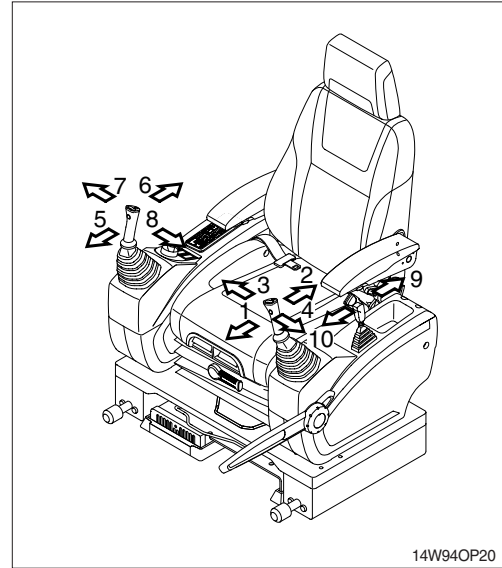
## 5. OPERATION OF WORKING DEVICE

※ **Confirm the operation of control lever and working device.**

- 1) Left control lever controls arm and swing.
- 2) Right control lever controls boom and bucket.
- 3) When you release the control lever, control lever returns to neutral position automatically.

※ **When operating swing, consider the swing distance by inertia.**

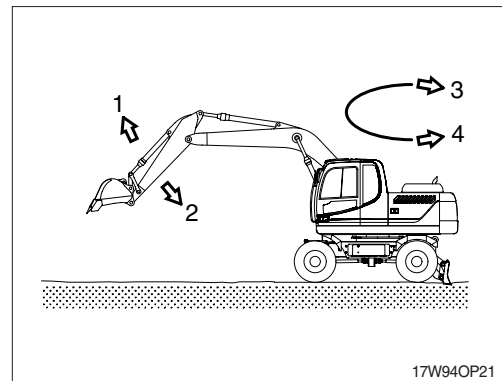
※ **Refer to the switching method at page 3-25, when installed dozer or outrigger.**



14W94OP20

※ **Left control lever**

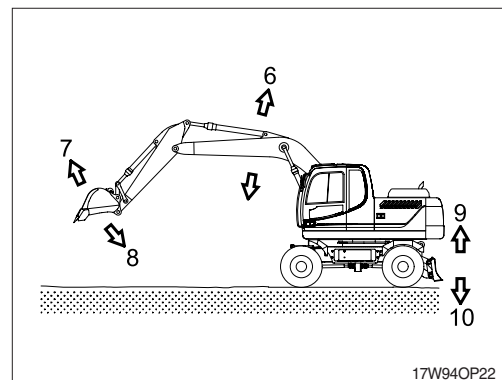
- 1 Arm roll-out
- 2 Arm roll-in
- 3 Swing right
- 4 Swing left



17W94OP21

※ **Right control lever**

- 5 Boom lower
- 6 Boom raise
- 7 Bucket roll-out
- 8 Bucket roll-in



17W94OP22

※ **Dozer and outrigger control lever**

- 9 Dozer blade or outrigger up
- 10 Dozer blade or outrigger down