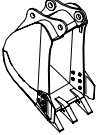
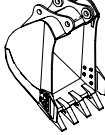
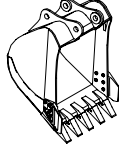
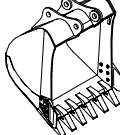
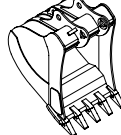


6. BUCKET SELECTION GUIDE

1) GENERAL BUCKET

| | | | | |
|---|---|---|--|---|
|  |  |  |  |  |
| 0.39 m ³ SAE heaped bucket | 0.50 m ³ SAE heaped bucket | 0.64 m ³ , 0.76 m ³ SAE heaped bucket | 0.89 m ³ , 1.05 m ³ SAE heaped bucket | ◆ 0.69 m ³ SAE heaped bucket |

| Capacity | | Width | | Weight | Recommendation | | | | |
|---|--|---------------------|--------------------|---------------------|--------------------------|-------------------|--------------------|------------------------------------|-------------------|
| | | | | | 5.1 m (16' 9") Mono boom | | | 5.1 m (16' 9") Hyd adjustable boom | |
| SAE heaped | CECE heaped | Without side cutter | With side cutter | | 2.2 m arm (7' 3") | 2.6 m arm (8' 6") | 3.1 m arm (10' 2") | 2.2 m arm (7' 3") | 2.6 m arm (8' 6") |
| 0.39 m ³ (0.51 yd ³) | 0.34 m ³ (0.44 yd ³) | 620 mm (24.4") | 740 mm (29.1") | 410 kg (900 lb) | | | | | |
| 0.50 m ³ (0.65 yd ³) | 0.44 m ³ (0.58 yd ³) | 760 mm (29.9") | 880 mm (34.6") | 470 kg (1040 lb) | | | | | |
| 0.64 m ³ (0.84 yd ³) | 0.55 m ³ (0.72 yd ³) | 920 mm (36.2") | 1040 mm (40.9") | 510 kg (1120 lb) | | | | | |
| 0.76 m ³ (0.99 yd ³) | 0.65 m ³ (0.85 yd ³) | 1060 mm (41.7") | 1180 mm (46.5") | 570 kg (1260 lb) | | | | | |
| 0.89 m ³ (1.16 yd ³) | 0.77 m ³ (1.01 yd ³) | 1220 mm (48.0") | 1340 mm (52.8") | 610 kg (1340 lb) | | | | | |
| 1.05 m ³ (1.37 yd ³) | 0.90 m ³ (1.18 yd ³) | 1400 mm (55.1") | 1520 mm (59.8") | 680 kg (1500 lb) | | | | | |
| ◆ 0.69 m ³ (0.9 yd ³) | 0.62 m ³ (0.81 yd ³) | 990 mm (39.0") | - | 700 kg (1540 lb) | | | | | |

◆ : Heavy duty bucket

 Applicable for materials with density of 2000 kg/m³ (3370 lb/yd³) or less

 Applicable for materials with density of 1600 kg/m³ (2700 lb/yd³) or less

 Applicable for materials with density of 1100 kg/m³ (1850 lb/yd³) or less