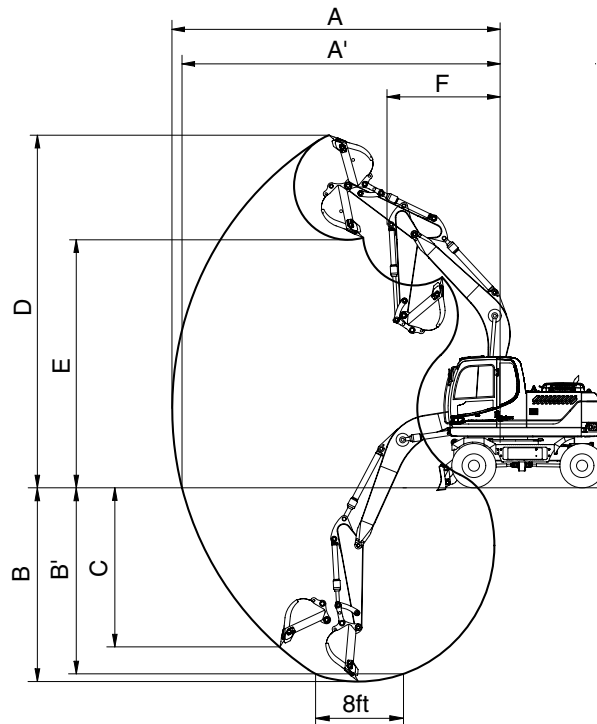


### 3. WORKING RANGE

#### 1) 5.1 m (16' 9") MONO BOOM

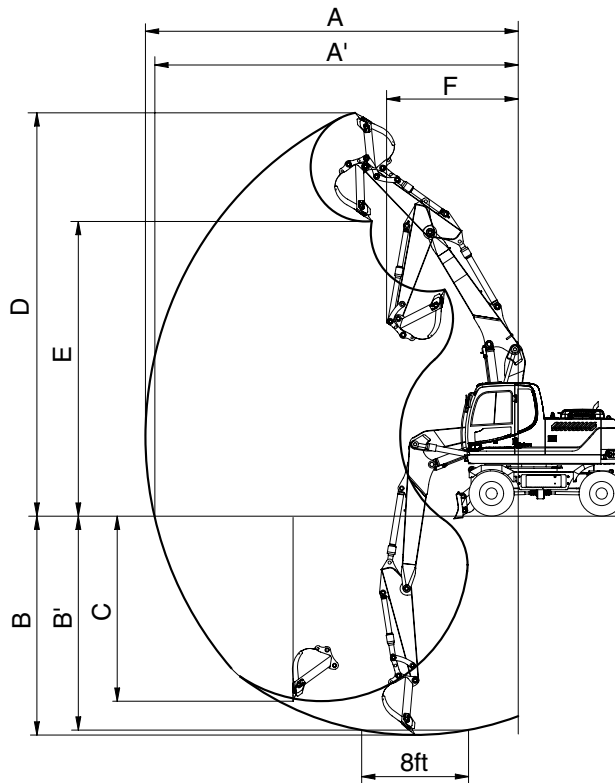


17W92SP05

Description		2.2 m (7' 3") Arm	2.6 m (8' 6") Arm	3.1 m (10' 2") Arm
Max digging reach	A	8690 mm (28' 6")	9020 mm (29' 7")	9450 mm (31' 0")
Max digging reach on ground	A'	8480 mm (27' 10")	8810 mm (28' 11")	9250 mm (30' 4")
Max digging depth	B	5420 mm (17' 9")	5820 mm (19' 1")	6320 mm (20' 9")
Max digging depth (8 ft level)	B'	5200 mm (17' 1")	5620 mm (18' 5")	6130 mm (20' 1")
Max vertical wall digging depth	C	4890 mm (16' 1")	5140 mm (16' 10")	5470 mm (17' 11")
Max digging height	D	8990 mm (29' 6")	9070 mm (29' 9")	9220 mm (30' 3")
Max dumping height	E	6420 mm (21' 1")	6550 mm (21' 6")	6730 mm (22' 1")
Min swing radius	F	3180 mm (10' 5")	3170 mm (10' 5")	3160 mm (10' 4")
Bucket digging force	SAE	107.9 [117.2] kN	107.9 [117.2] kN	107.9 [117.2] kN
		11000 [11940] kgf	11000 [11940] kgf	11000 [11940] kgf
		24250 [26330] lbf	24250 [26330] lbf	24250 [26330] lbf
	ISO	123.6 [134.2] kN	123.6 [134.2] kN	123.6 [134.2] kN
		12600 [13680] kgf	12600 [13680] kgf	12600 [13680] kgf
		27780 [30160] lbf	27780 [30160] lbf	27780 [30160] lbf
Arm digging force	SAE	87.2 [94.7] kN	77.3 [83.9] kN	69.0 [74.9] kN
		8890 [9650] kgf	7880 [8560] kgf	7030 [7630] kgf
		19600 [21280] lbf	17370 [18860] lbf	15500 [16830] lbf
	ISO	91.0 [98.8] kN	80.3 [87.2] kN	71.4 [77.5] kN
		9280 [10080] kgf	8190 [8890] kgf	7280 [7900] kgf
		20460 [22210] lbf	18060 [19600] lbf	16050 [17430] lbf

\* : Standard [ ] : Power boost

## 2) 5.1 m (16' 9") HYDRAULIC ADJUSTABLE BOOM



17W92SP06

Description		2.2 m (7' 3") Arm	2.6 m (8' 6") Arm
Max digging reach	A	8760 mm (28' 9")	9110 mm (29' 11")
Max digging reach on ground	A'	8550 mm (28' 1")	8910 mm (29' 3")
Max digging depth	B	5220 mm (17' 2")	5620 mm (18' 5")
Max digging depth (8 ft level)	B'	5120 mm (16' 10")	5520 mm (18' 1")
Max vertical wall digging depth	C	4430 mm (14' 6")	4780 mm (15' 8")
Max digging height	D	9630 mm (31' 7")	9820 mm (32' 3")
Max dumping height	E	6930 mm (22' 9")	7130 mm (23' 5")
Min swing radius	F	3100 mm (10' 2")	2970 mm (9' 9")
Bucket digging force	SAE	107.9 [117.2] kN	107.9 [117.2] kN
		11000 [11940] kgf	11000 [11940] kgf
		24250 [26330] lbf	24250 [26330] lbf
	ISO	123.6 [134.2] kN	123.6 [134.2] kN
		12600 [13680] kgf	12600 [13680] kgf
		27780 [30160] lbf	27780 [30160] lbf
Arm digging force	SAE	87.2 [94.7] kN	77.3 [83.9] kN
		8890 [9650] kgf	7880 [8560] kgf
		19600 [21280] lbf	17370 [18860] lbf
	ISO	91.0 [98.8] kN	80.3 [87.2] kN
		9280 [10080] kgf	8190 [8890] kgf
		20460 [22210] lbf	18060 [19600] lbf

[ ] : Power boost