

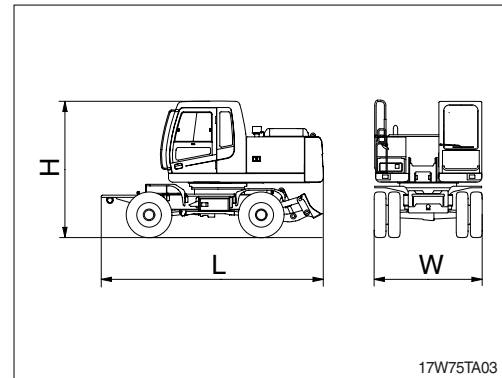
### 3. DIMENSION AND WEIGHT

#### 1) ROBEX 170W-7A

##### (1) Base machine

Mark	Description	Unit	Specification
L	Length	mm (ft-in)	5220 (17' 2")
H	Height	mm (ft-in)	3150 (10' 4")
W	Width	mm (ft-in)	2495 (8' 2")
Wt	Weight	kg (lb)	13310 (29340)

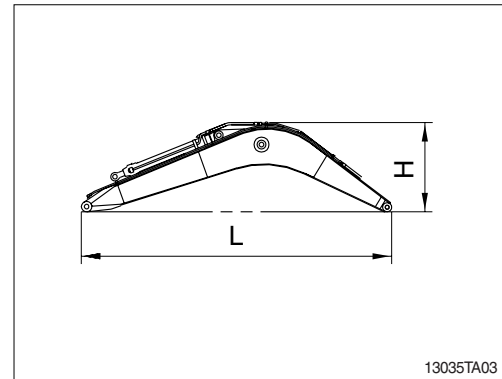
※ 2750kg (6060lb) counterweight.



##### (2) Boom assembly

Mark	Description	Unit	Specification
L	Length	mm (ft-in)	5290 (17' 4")
H	Height	mm (ft-in)	1460 ( 4' 9")
W	Width	mm (ft-in)	590 ( 1'11")
Wt	Weight	kg (lb)	1250 (2760)

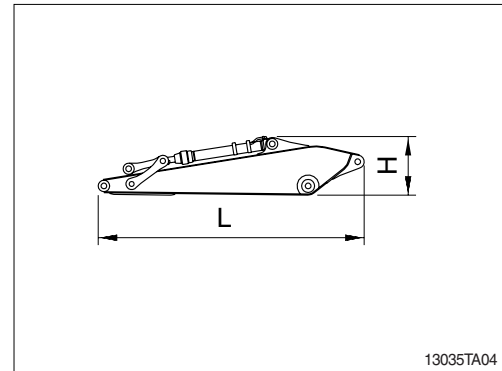
※ 5.1m (16' 9") mono boom with arm cylinder (Included piping and pins).



##### (3) Arm assembly

Mark	Description	Unit	Specification
L	Length	mm (ft-in)	3080 (10' 1")
H	Height	mm (ft-in)	790 ( 2' 7")
W	Width	mm (ft-in)	450 ( 1' 6")
Wt	Weight	kg (lb)	750 (1650)

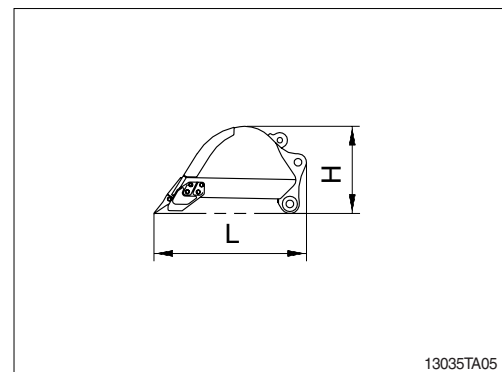
※ 2.2m (7' 3") arm with bucket cylinder (Included linkage and pins).



##### (4) Bucket assembly

Mark	Description	Unit	Specification
L	Length	mm (ft-in)	1510 ( 4'11")
H	Height	mm (ft-in)	940 ( 3' 3")
W	Width	mm (ft-in)	1180 ( 3' 10")
Wt	Weight	kg (lb)	570 (1260)

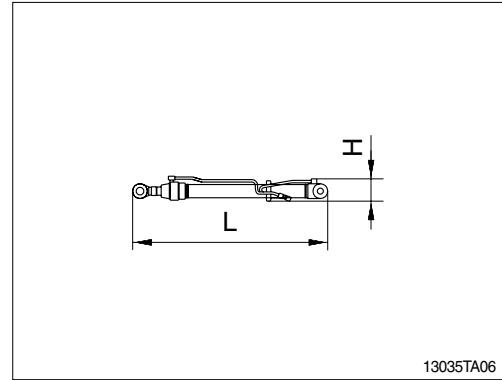
※ 0.76m<sup>3</sup> (0.99yd<sup>3</sup>) SAE heaped bucket (Included tooth and side cutters).



**(5) Boom cylinder**

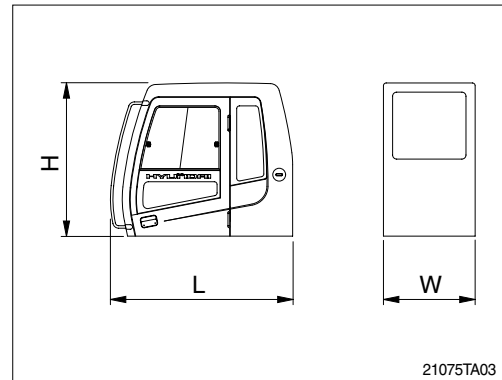
Mark	Description	Unit	Specification
L	Length	mm (ft-in)	1780 ( 5'10"
H	Height	mm (ft-in)	230 ( 0' 9"
W	Width	mm (ft-in)	330 ( 1' 1"
Wt	Weight (2EA)	kg (lb)	320 (705)

※ Included piping.



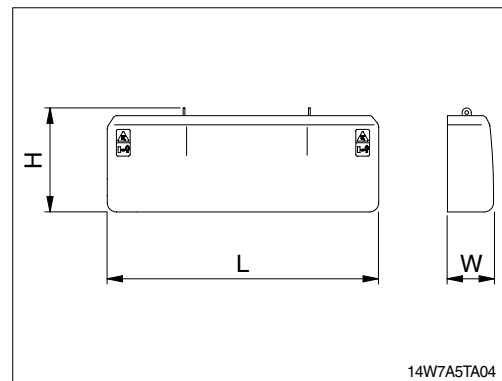
**(6) Cab assembly**

Mark	Description	Unit	Specification
L	Length	mm (ft-in)	1962 ( 6' 4"
H	Height	mm (ft-in)	1676 ( 5' 5"
W	Width	mm (ft-in)	1288 ( 4' 2"
Wt	Weight	kg (lb)	310 (680)



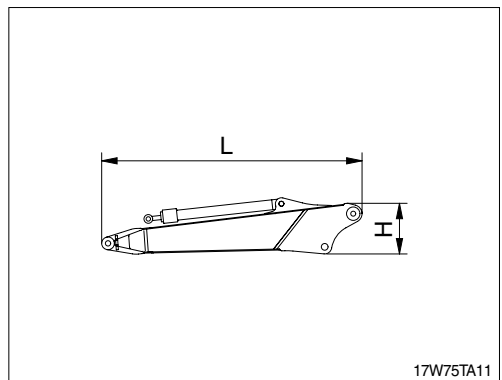
**(7) Counterweight**

Mark	Description	Unit	Specification
L	Length	mm (ft-in)	2475 ( 8' 1"
H	Height	mm (ft-in)	1120 ( 3' 8"
W	Width	mm (ft-in)	468 ( 1' 6"
Wt	Weight	kg (lb)	2750 (6060)



**(8) 1st Boom**

Mark	Description	Unit	Specification
L	Length	mm (ft-in)	3700 (12' 2")
H	Height	mm (ft-in)	810 ( 2' 8")
W	Width	mm (ft-in)	570 ( 1' 10")
Wt	Weight	kg (lb)	970 (2140)



**(9) 2nd Boom**

Mark	Description	Unit	Specification
L	Length	mm (ft-in)	2110 ( 6' 11")
H	Height	mm (ft-in)	830 ( 2' 9")
W	Width	mm (ft-in)	590 ( 1' 11")
Wt	Weight	kg (lb)	770 ( 2' 6")

