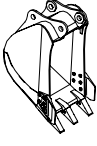
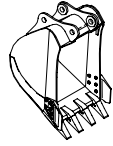
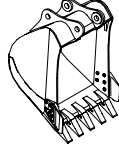
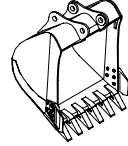
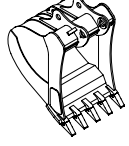


6. BUCKET SELECTION GUIDE


1) GENERAL BUCKET


				
0.39m ³ SAE heaped bucket	0.50m ³ SAE heaped bucket	0.64m ³ , ※0.76m ³ SAE heaped bucket	0.89m ³ , 1.05m ³ SAE heaped bucket	◆0.69m ³ SAE heaped bucket


Capacity		Width		Weight	Recommendation				
					5.1m (16' 9") Mono boom			5.1m (16' 9") Hyd adjustable boom	
SAE heaped	CECE heaped	Without side cutter	With side cutter		2.2m arm (7' 3")	2.6m arm (8' 6")	3.1m arm (10' 2")	2.2m arm (7' 3")	2.6m arm (8' 6")
0.39m ³ (0.51yd ³)	0.34m ³ (0.44yd ³)	620mm (24.4")	740mm (29.1")	410kg (900lb)					
0.50m ³ (0.65yd ³)	0.44m ³ (0.58yd ³)	760mm (29.9")	880mm (34.6")	470kg (1040lb)					
0.64m ³ (0.84yd ³)	0.55m ³ (0.72yd ³)	920mm (36.2")	1040mm (40.9")	510kg (1120lb)					
※0.76m ³ (0.99yd ³)	0.65m ³ (0.85yd ³)	1060mm (41.7")	1180mm (46.5")	570kg (1260lb)					
0.89m ³ (1.16yd ³)	0.77m ³ (1.01yd ³)	1220mm (48.0")	1340mm (52.8")	610kg (1340lb)					
1.05m ³ (1.37yd ³)	0.90m ³ (1.18yd ³)	1400mm (55.1")	1520mm (59.8")	680kg (1500lb)					
◆0.69m ³ (0.9yd ³)	0.62m ³ (0.81yd ³)	990mm (39.0")	-	700kg (1540lb)					

※ : Standard bucket

◆ : Heavy duty bucket

 Applicable for materials with density of 2000kg/m³ (3370lb/yd³) or less

 Applicable for materials with density of 1600kg/m³ (2700lb/yd³) or less

 Applicable for materials with density of 1100kg/m³ (1850lb/yd³) or less