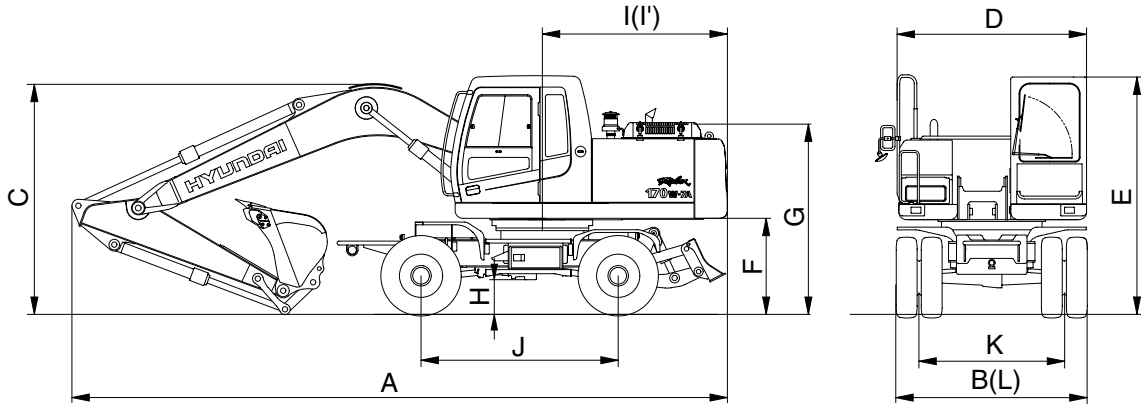


## 2. SPECIFICATIONS

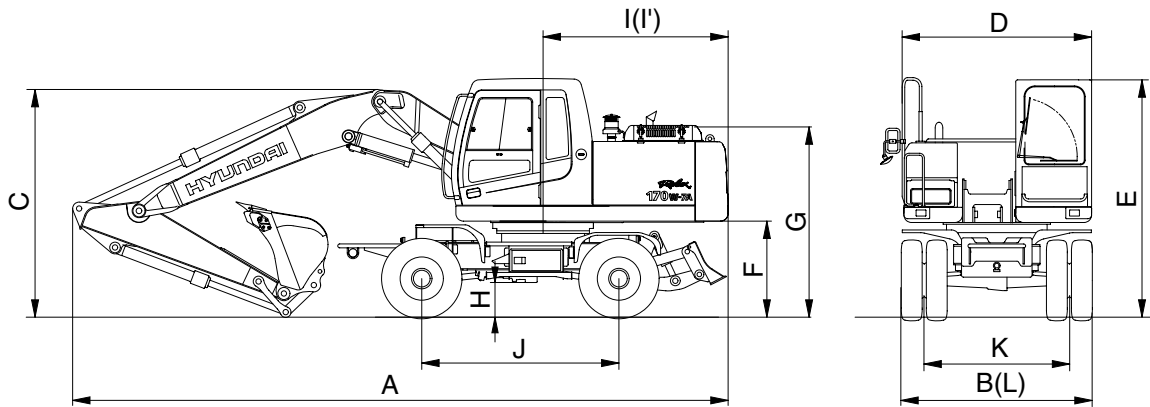
### 1) 5.1m (16' 9") ONE PIECE BOOM, 2.2m (7' 3") ARM AND REAR DOZER BLADE



17W7A2SP02

Description		Unit	Specification
Operating weight		kg (lb)	16400 (36160)
Bucket capacity (SAE heaped), standard		m <sup>3</sup> (yd <sup>3</sup> )	0.76 (0.99)
Overall length	A	mm (ft-in)	8610 (28' 3")
Overall width	B		2500 ( 8' 2")
Overall height	C		3040 (10' 0")
Upperstructure width	D		2475 ( 8' 1")
Cab height	E		3150 (10' 4")
Ground clearance of counterweight	F		1270 ( 4' 2")
Engine cover height	G		2532 ( 8' 4")
Minimum ground clearance	H		375 ( 1' 3")
Rear-end distance	I		2480 ( 8' 2")
Rear-end swing radius	I'		2530 ( 8' 4")
Wheel base	J		2600 ( 8' 6")
Tread	K		1914 ( 6' 3")
Dozer blade width	L		2490 ( 8' 2")
Travel speed	Low		km/hr (mph)
	High	30	
Swing speed		rpm	11.5
Gradeability		Degree (%)	30 (58)

2) 5.1m (16' 9") HYDRAULIC ADJUSTABLE BOOM, 2.6m (8' 6") ARM AND REAR DOZER BLADE



17W7A2SP03

Description		Unit	Specification
Operating weight		kg (lb)	16870 (37190)
Bucket capacity (SAE heaped), standard		m <sup>3</sup> (yd <sup>3</sup> )	0.76 (0.99)
Overall length	A	mm (ft-in)	8750 (28' 8")
Overall width	B		2500 ( 8' 2")
Overall height	C		2910 ( 9' 7")
Upperstructure width	D		2475 ( 8' 1")
Cab height	E		3150 (10' 4")
Ground clearance of counterweight	F		1270 ( 4' 2")
Engine cover height	G		2532 ( 8' 4")
Minimum ground clearance	H		375 ( 1' 3")
Rear-end distance	I		2480 ( 8' 2")
Rear-end swing radius	I'		2530 ( 8' 4")
Wheel base	J		2600 ( 8' 6")
Tread	K		1914 ( 6' 3")
Dozer blade width	L		2490 ( 8' 2")
Travel speed	Low		km/hr (mph)
	High	30	
Swing speed		rpm	11.5
Gradeability		Degree (%)	30 (58)