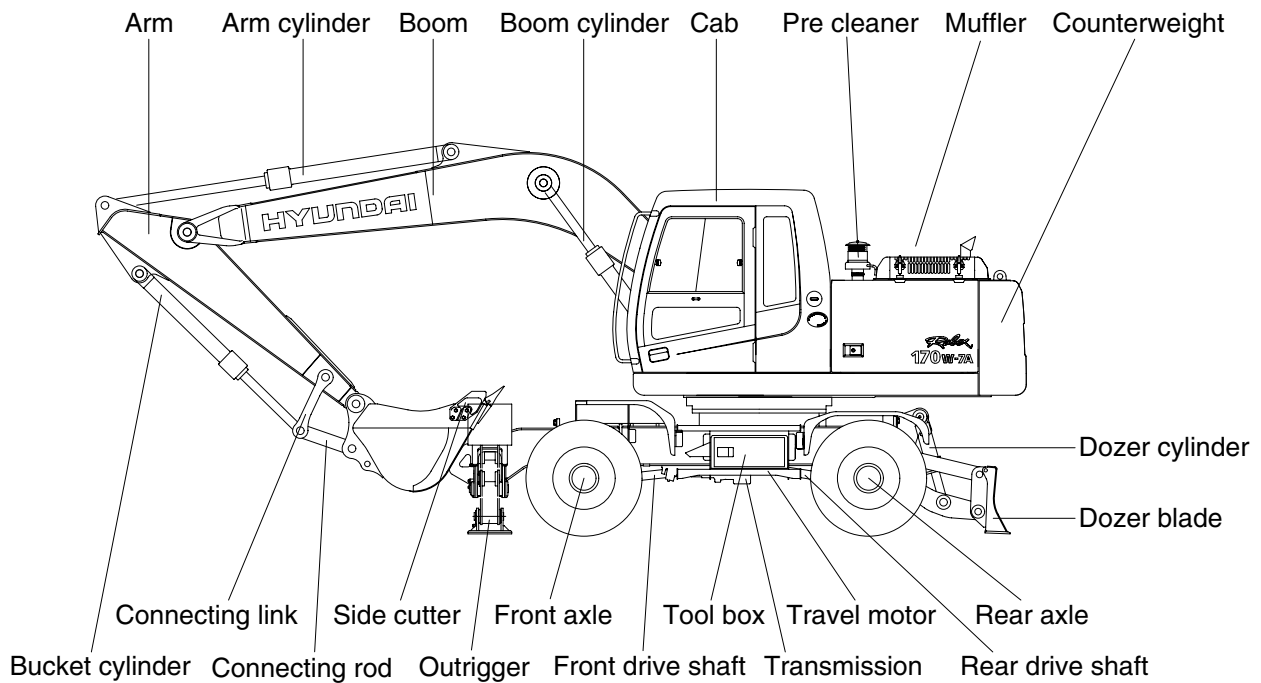
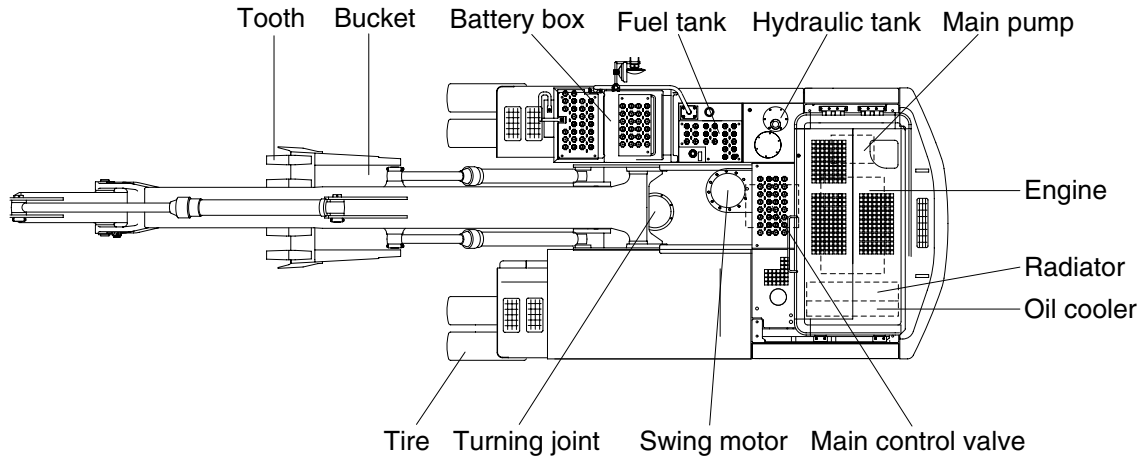


SPECIFICATIONS

1. MAJOR COMPONENTS



17W7A2SP01