

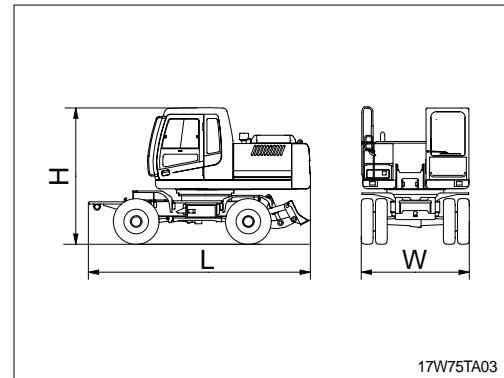
### 3. DIMENSION AND WEIGHT

#### 1) ROBEX 170W-7

##### (1) Base machine

Mark	Description	Unit	Specification
L	Length	mm(ft-in)	5220(17' 2")
H	Height	mm(ft-in)	3150(10' 4")
W	Width	mm(ft-in)	2495( 8' 2")
Wt	Weight	kg(lb)	13310(29340)

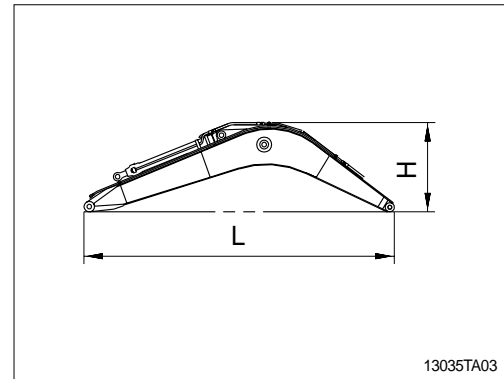
2750kg(6060lb) counterweight.



##### (2) Boom assembly

Mark	Description	Unit	Specification
L	Length	mm(ft-in)	5290(17' 4")
H	Height	mm(ft-in)	1460( 4' 9")
W	Width	mm(ft-in)	590( 1'11")
Wt	Weight	kg(lb)	1250(2760)

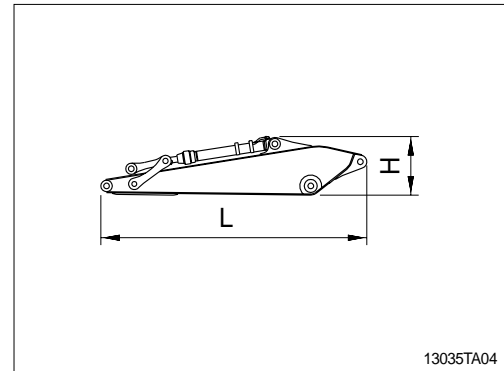
5.1m(16' 9") mono boom with arm cylinder (Included piping and pins).



##### (3) Arm assembly

Mark	Description	Unit	Specification
L	Length	mm(ft-in)	3080(10' 1")
H	Height	mm(ft-in)	790( 2' 7")
W	Width	mm(ft-in)	450( 1' 6")
Wt	Weight	kg(lb)	750(1650)

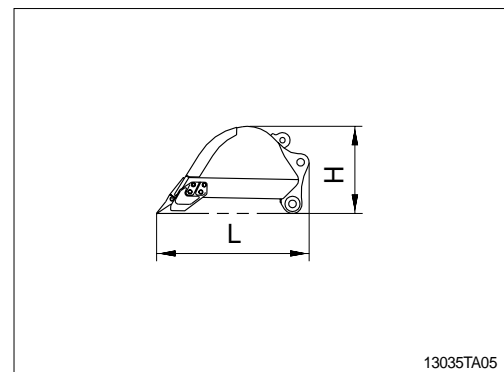
2.2m(7' 3") arm with bucket cylinder (Included linkage and pins).



##### (4) Bucket assembly

Mark	Description	Unit	Specification
L	Length	mm(ft-in)	1510( 4'11")
H	Height	mm(ft-in)	940( 3' 3")
W	Width	mm(ft-in)	1180( 3' 10")
Wt	Weight	kg(lb)	570(1260)

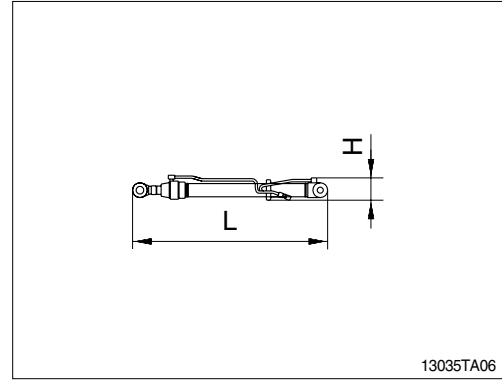
0.76m<sup>3</sup>(0.99yd<sup>3</sup>) SAE heaped bucket (Included tooth and side cutters).



**(5) Boom cylinder**

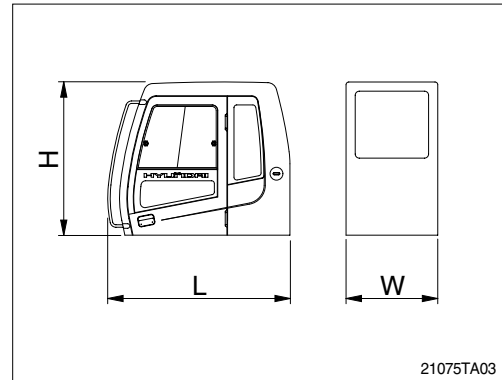
Mark	Description	Unit	Specification
L	Length	mm(ft-in)	1780( 5'10")
H	Height	mm(ft-in)	230( 0' 9")
W	Width	mm(ft-in)	330( 1' 1")
Wt	Weight(2EA)	kg(lb)	320(705)

i Included piping.



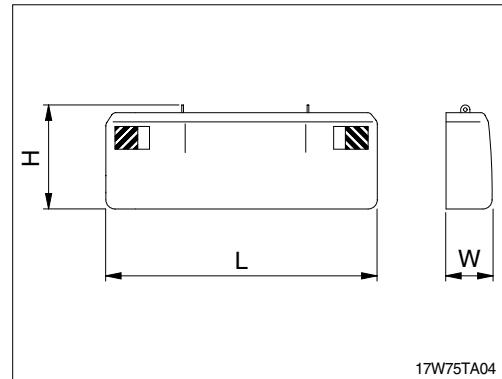
**(6) Cab assembly**

Mark	Description	Unit	Specification
L	Length	mm(ft-in)	1962( 6' 4")
H	Height	mm(ft-in)	1676( 5' 5")
W	Width	mm(ft-in)	1288( 4' 2")
Wt	Weight	kg(lb)	310(680)



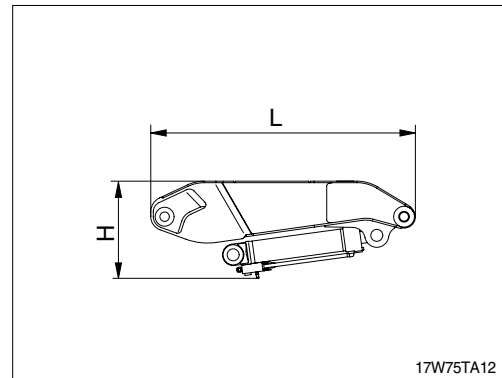
**(7) Counterweight**

Mark	Description	Unit	Specification
L	Length	mm(ft-in)	2475( 8' 1")
H	Height	mm(ft-in)	1120( 3' 8")
W	Width	mm(ft-in)	468( 1' 6")
Wt	Weight	kg(lb)	2750(6060)



**(8) 1st Boom**

Mark	Description	Unit	Specification
L	Length	mm(ft-in)	2110( 6' 11")
H	Height	mm(ft-in)	830( 2' 9")
W	Width	mm(ft-in)	590( 1' 11")
Wt	Weight	kg(lb)	770( 2' 6")



**(9) 2nd Boom**

Mark	Description	Unit	Specification
L	Length	mm(ft-in)	3700(12' 2")
H	Height	mm(ft-in)	810( 2' 8")
W	Width	mm(ft-in)	570( 1' 10")
Wt	Weight	kg(lb)	970(2140)

