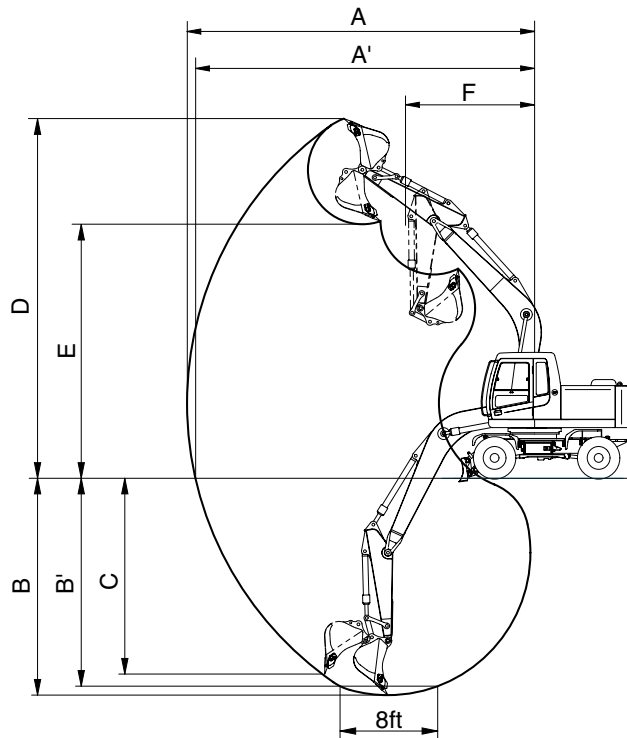


3. WORKING RANGE

1) 5.1m(16' 9") MONO BOOM



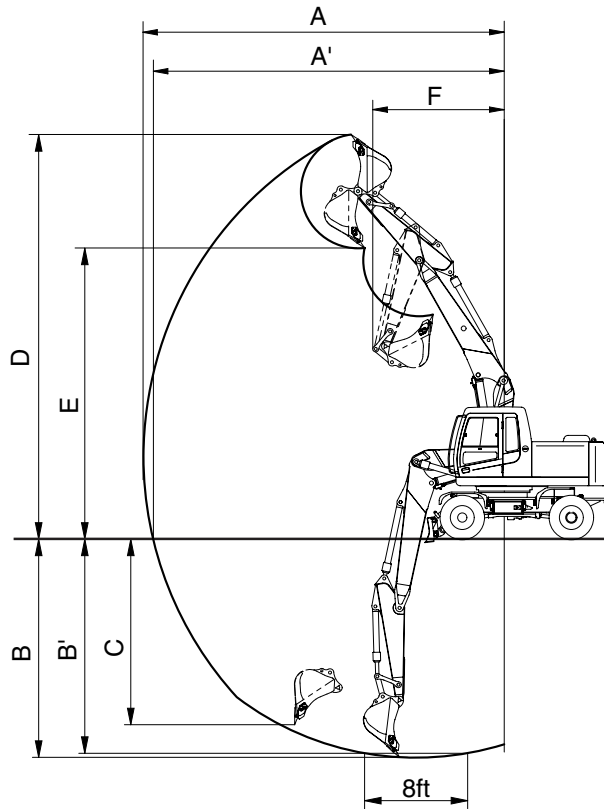
17W72SP05

Description		*2.2m(7' 3") Arm	2.6m(8' 6") Arm	3.1m(10' 2") Arm
Max digging reach	A	8690mm (28' 6")	9030mm (29' 8")	9450mm (31' 0")
Max digging reach on ground	A'	8480mm (27'10")	8820mm (28'11")	9250mm (30' 4")
Max digging depth	B	5420mm (17' 9")	5820mm (19' 1")	6320mm (20' 9")
Max digging depth (8ft level)	B'	5200mm (17' 1")	5610mm (18' 5")	6130mm (20' 1")
Max vertical wall digging depth	C	4890mm (16' 1")	5240mm (17' 2")	5540mm (18' 2")
Max digging height	D	8990mm (29' 6")	9110mm (29'11")	9220mm (30' 3")
Max dumping height	E	6350mm (20'10")	6480mm (21' 3")	6620mm (21' 9")
Min swing radius	F	3180mm (10' 5")	3180mm (10' 5")	3180mm (10' 5")
Bucket digging force	SAE	108.6 [118.4] kN	108.6 [118.4] kN	108.6 [118.4] kN
		11070 [12080] kgf	11070 [12080] kgf	11070 [12080] kgf
		24410 [26630] lbf	24410 [26630] lbf	24410 [26630] lbf
	ISO	124.5 [135.9] kN	124.5 [135.9] kN	124.5 [135.9] kN
		12700 [13850] kgf	12700 [13850] kgf	12700 [13850] kgf
		28000 [30550] lbf	28000 [30550] lbf	28000 [30550] lbf
Arm digging force	SAE	85.2 [93.0] kN	75.0 [81.8] kN	67.4 [73.5] kN
		8690 [9480] kgf	7650 [8350] kgf	6870 [7490] kgf
		19160 [20900] lbf	16870 [18400] lbf	15150 [16530] lbf
	ISO	89.0 [97.1] kN	77.6 [84.6] kN	69.4 [75.7] kN
		9080 [9910] kgf	7910 [8630] kgf	7080 [7720] kgf
		20020 [21840] lbf	17440 [19030] lbf	15610 [17030] lbf

[] : Power boost

* : Standard

2) 5.1m(16' 9") HYDRAULIC ADJUSTABLE BOOM



17W72SP06

Description		2.2m(7' 3") Arm	2.6m(8' 6") Arm
Max digging reach	A	8600mm (28' 3")	9120mm (29'11")
Max digging reach on ground	A'	8370mm (27' 6")	8910mm (29' 3")
Max digging depth	B	5220mm (17' 2")	5600mm (18' 4")
Max digging depth (8ft level)	B'	5110mm (16' 9")	5500mm (18' 1")
Max vertical wall digging depth	C	4430mm (14' 6")	4790mm (15' 9")
Max digging height	D	9640mm (31' 8")	9850mm (32' 4")
Max dumping height	E	6930mm (22' 9")	7140mm (23' 5")
Min swing radius	F	3150mm (10' 4")	2970mm (9' 9")
Bucket digging force	SAE	108.6 [118.4] kN	108.6 [118.4] kN
		11070 [12080] kgf	11070 [12080] kgf
		24410 [26630] lbf	24410 [26630] lbf
	ISO	124.5 [135.9] kN	124.5 [135.9] kN
		12700 [13850] kgf	12700 [13850] kgf
		28000 [30550] lbf	28000 [30550] lbf
Arm digging force	SAE	85.2 [93.0] kN	75.0 [81.8] kN
		8690 [9480] kgf	7650 [8350] kgf
		19160 [20900] lbf	16870 [18400] lbf
	ISO	89.0 [97.1] kN	77.6 [84.6] kN
		9080 [9910] kgf	7910 [8630] kgf
		20020 [21840] lbf	17440 [19030] lbf

[] : Power boost