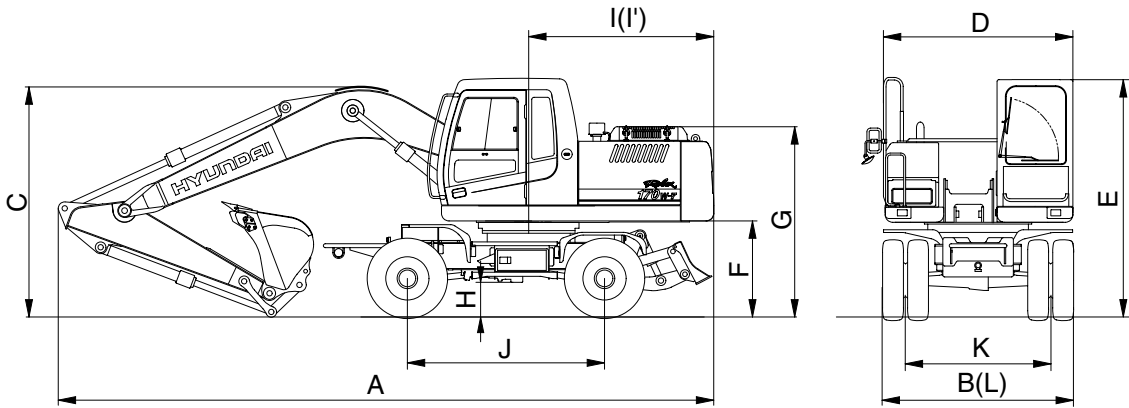


2. SPECIFICATIONS

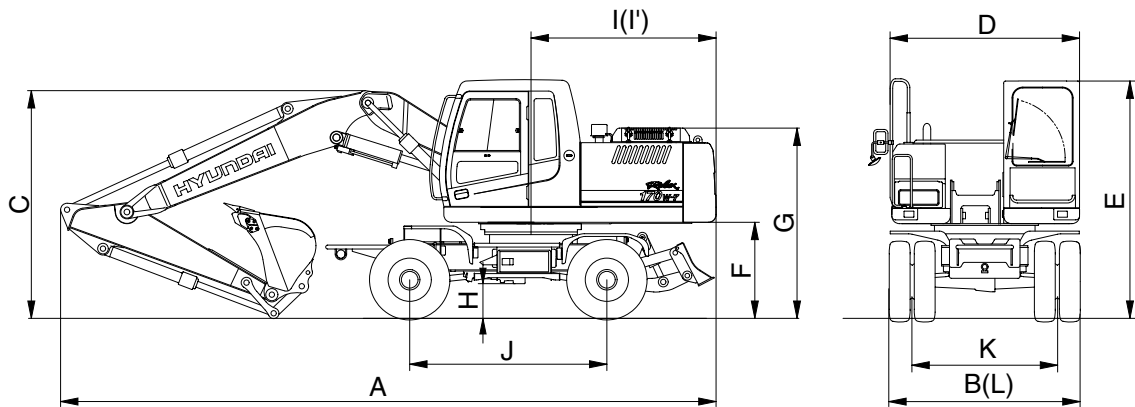
1) 5.1m(16' 9") ONE PIECE BOOM, 2.2m(7' 3") ARM AND REAR DOZER BLADE



17W72SP02

Description		Unit	Specification
Operating weight		kg(lb)	16200(35710)
Bucket capacity(SAE heaped), standard		m ³ (yd ³)	0.76(0.99)
Overall length	A	mm(ft-in)	8610(28' 3")
Overall width	B		2500(8' 2")
Overall height	C		3040(10' 0")
Upperstructure width	D		2475(8' 1")
Cab height	E		3150(10' 4")
Ground clearance of counterweight	F		1270(4' 2")
Engine cover height	G		2532(8' 4")
Minimum ground clearance	H		375(1' 3")
Rear-end distance	I		2480(8' 2")
Rear-end swing radius	I'		2530(8' 4")
Wheel base	J		2600(8' 6")
Tread	K		1914(6' 3")
Dozer blade width	L		2490(8' 2")
Travel speed	Low		km/hr(mph)
	High	30	
Swing speed		rpm	11.5
Gradeability		Degree(%)	30(58)

2) 5.1m(16' 9") HYDRAULIC ADJUSTABLE BOOM, 2.6m(8' 6") ARM AND REAR DOZER BLADE



17W72SP03

Description		Unit	Specification
Operating weight		kg(lb)	16670(36750)
Bucket capacity(SAE heaped), standard		m ³ (yd ³)	0.76(0.99)
Overall length	A	mm(ft-in)	8750(28' 8")
Overall width	B		2500(8' 2")
Overall height	C		2910(9' 7")
Upperstructure width	D		2475(8' 1")
Cab height	E		3150(10' 4")
Ground clearance of counterweight	F		1270(4' 2")
Engine cover height	G		2532(8' 4")
Minimum ground clearance	H		375(1' 3")
Rear-end distance	I		2480(8' 2")
Rear-end swing radius	I'		2530(8' 4")
Wheel base	J		2600(8' 6")
Tread	K		1914(6' 3")
Dozer blade width	L		2490(8' 2")
Travel speed	Low		km/hr(mph)
	High	30	
Swing speed		rpm	11.5
Gradeability		Degree(%)	30(58)