

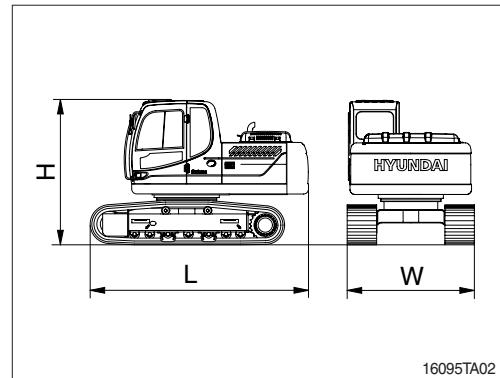
2. DIMENSION AND WEIGHT

1) R160LC-9

(1) Base machine

Mark	Description	Unit	Specification
L	Length	mm (ft-in)	4070 (13' 4")
H	Height	mm (ft-in)	2960 (9' 9")
W	Width	mm (ft-in)	2590 (8' 6")
Wt	Weight	kg (lb)	14380 (31700)

※ With 600 mm (24") triple grouser shoes and 2950 kg (6500 lb) counterweight.

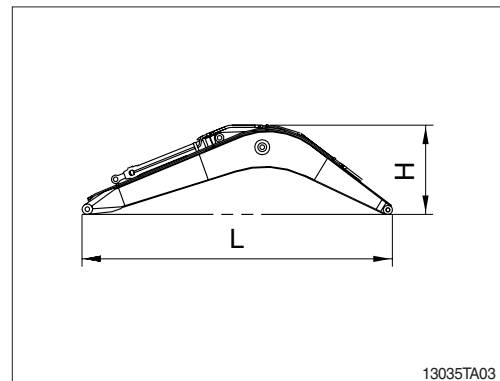


16095TA02

(2) Boom assembly

Mark	Description	Unit	Specification
L	Length	mm (ft-in)	5290 (17' 4")
H	Height	mm (ft-in)	1460 (4' 9")
W	Width	mm (ft-in)	590 (1' 11")
Wt	Weight	kg (lb)	1250 (2760)

※ 5.1 m (16' 9") boom with arm cylinder (Included piping and pins).

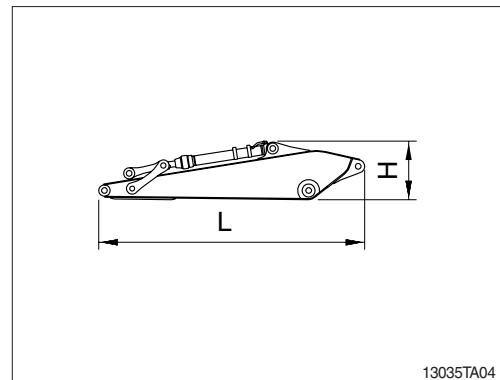


13035TA03

(3) Arm assembly

Mark	Description	Unit	Specification
L	Length	mm (ft-in)	3480 (11' 5")
H	Height	mm (ft-in)	760 (2' 6")
W	Width	mm (ft-in)	450 (1' 6")
Wt	Weight	kg (lb)	800 (1760)

※ 2.6 m (8' 6") arm with bucket cylinder (Included linkage and pins).

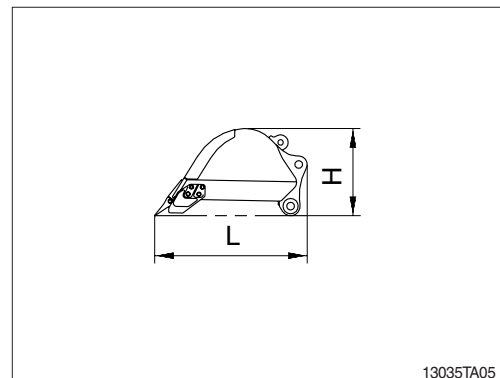


13035TA04

(4) Bucket assembly

Mark	Description	Unit	Specification
L	Length	mm (ft-in)	940 (3' 1")
H	Height	mm (ft-in)	1510 (4' 11")
W	Width	mm (ft-in)	1110 (3' 8")
Wt	Weight	kg (lb)	540 (1190)

※ 0.70 m³ (0.92 yd³) SAE heaped bucket (Included tooth and side cutters).

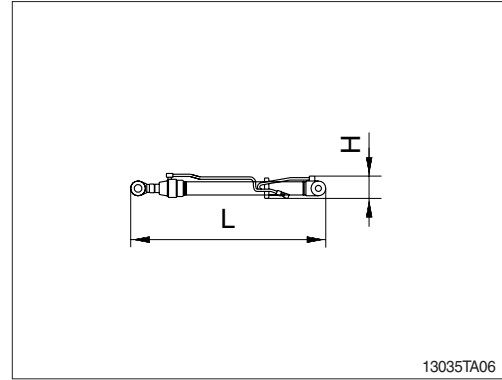


13035TA05

(5) Boom cylinder

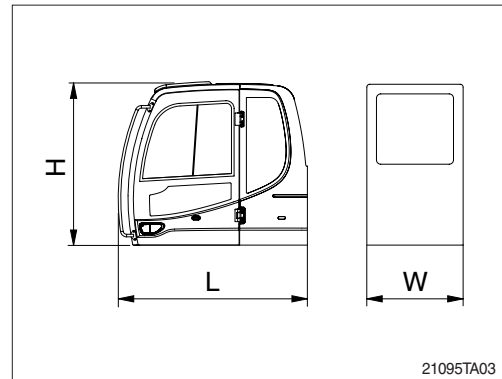
Mark	Description	Unit	Specification
L	Length	mm (ft-in)	1780 (5' 10")
H	Height	mm (ft-in)	230 (0' 9")
W	Width	mm (ft-in)	330 (1' 1")
Wt	Weight (2EA)	kg (lb)	320 (705)

※ Included piping.



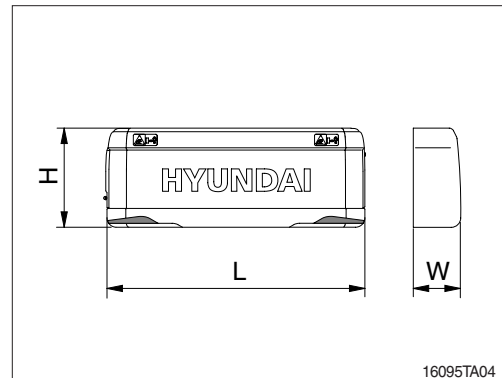
(6) Cab assembly

Mark	Description	Unit	Specification
L	Length	mm (ft-in)	2000 (6' 7")
H	Height	mm (ft-in)	1740 (5' 9")
W	Width	mm (ft-in)	1288 (4' 2")
Wt	Weight	kg (lb)	500 (1100)



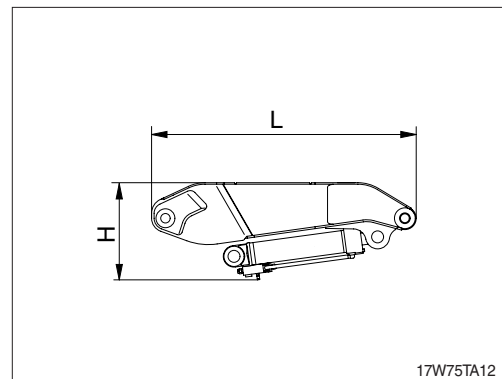
(7) Counterweight

Mark	Description	Unit	Specification
L	Length	mm (ft-in)	2475 (8' 1")
H	Height	mm (ft-in)	1050 (3' 5")
W	Width	mm (ft-in)	440 (1' 5")
Wt	Weight	kg (lb)	2900 (6395)



(8) 1st boom

Mark	Description	Unit	Specification
L	Length	mm (ft-in)	2110 (6' 11")
H	Height	mm (ft-in)	830 (2' 9")
W	Width	mm (ft-in)	590 (1' 11")
Wt	Weight	kg (lb)	770 (1700)



(9) 2nd boom

Mark	Description	Unit	Specification
L	Length	mm (ft-in)	3700 (12' 2")
H	Height	mm (ft-in)	810 (2' 8")
W	Width	mm (ft-in)	570 (1' 10")
Wt	Weight	kg (lb)	970 (2140)

