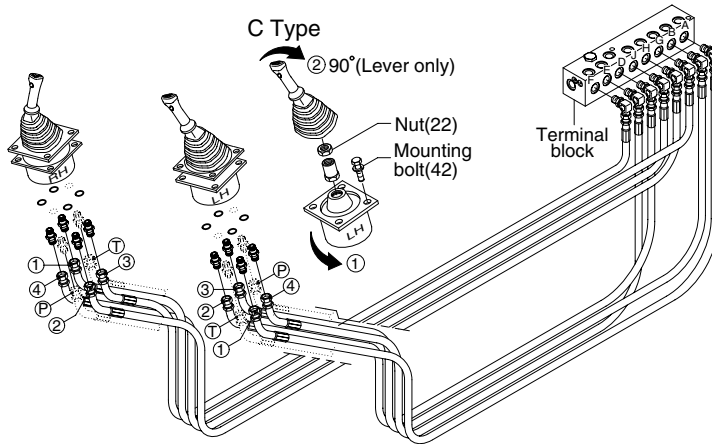


## 12. RCV LEVER OPERATING PATTERN

### 1) PATTERN CHANGE VALVE NOT INSTALL (standard)



※ Whenever a change is made to the machine control pattern also exchange the pattern label in the cab to match the new pattern.

21094OP50

Pattern	Operation		Control function	Hose connection (port)			
	Left RCV lever	Right RCV lever		RCV lever	Change of Terminal block		
					From	To	
ISO Type			Left	1 Arm out	②	D	-
				2 Arm in	④	E	-
				3 Swing right	③	B	-
				4 Swing left	①	A	-
			Right	5 Boom lower	④	J	-
				6 Boom raise	②	H	-
				7 Bucket out	①	G	-
				8 Bucket in	③	F	-
Hyundai			Left	1 Boom lower	②	D	J
				2 Boom raise	④	E	H
				3 Swing right	③	B	-
				4 Swing left	①	A	-
			Right	5 Arm out	④	J	D
				6 Arm in	②	H	E
				7 Bucket out	①	G	-
				8 Bucket in	③	F	-
A Type			Left	1 Boom lower	②	D	J
				2 Boom raise	④	E	H
				3 Bucket in	③	B	F
				4 Bucket out	①	A	G
			Right	5 Arm out	④	J	D
				6 Arm in	②	H	E
				7 Swing right	①	G	B
				8 Swing left	③	F	A
B Type			Left	① Loosen the RCV lever mounting bolt (42) and rotates lever assy 90° counterclockwise; then install.			
				② To put lever in correct position, disassemble nut (22) and rotates only lever 90° clockwise.			
				Same as ISO type			
				Same as ISO type			
			Right	Same as ISO type			
				Same as ISO type			
				Same as ISO type			
				Same as ISO type			
C Type			Left	① Loosen the RCV lever mounting bolt (42) and rotates lever assy 90° counterclockwise; then install. ② To put lever in correct position, disassemble nut (22) and rotates only lever 90° clockwise.			
			Right	Same as ISO type			

## 2) PATTERN CHANGE VALVE INSTALL (option)

- ※ If the machine is equipped with the pattern change valve, the machine operation pattern can be easily changed.
- ※ Whenever a change is made to the machine control pattern also exchange the pattern label in the cab to match the new pattern.

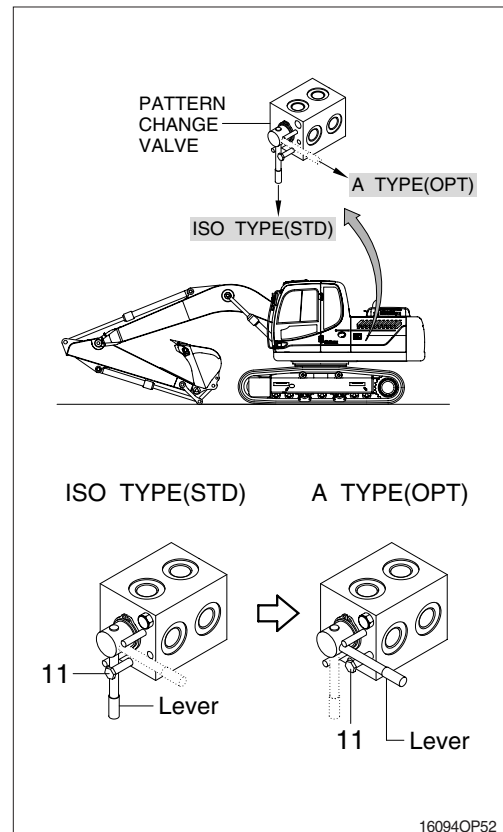
Operation	ISO type	A type
Left RCV lever		
Right RCV lever		

(1) The machine control pattern can be easily changed from the "ISO type" to "A type" by changing the position of the lever.

- ▲ **Before starting the machine, check the lever position of pattern change valve and actual operating of attachment.**

### (2) Change of operating pattern

- ① Loosen the bolt (11).
- ② Move lever from the "ISO type" to "A type" position.
- ③ After the lever is set, tighten the bolt in order to secure the lever.



16094OP52