

EC Declaration of conformity - update 04/01/'10

1. We hereby declare that the following machine comply with the machine directive 2006/42/EC, EMC-directive 2004/108/EC, Non-road mobile machinery emission directive 97/68/EC (amended by 2002/88/EC, 2004/26/EC, 2006/105/EC) and noise emission 2000/14/EC (amended by 2005/88/EC).

Excavator	Model :	*****
	Serial Nr. :	***

2. Manufacturer

Hyundai Heavy Industries Co. Ltd.
1 Chonha-Dong, Dong-Ku
Ulsan
The republic of Korea

Authorized representative :	Hyundai Heavy Industries Europe N.V.
Owner of the technical file for machine production. (TCF : Technical Construction File)	Vossendal 11 2440 Geel Belgium

3. Harmonized European directives :

EN474-1:2006 +A1:2009, EN474-5: 2006, EN ISO 12100-1:2003, EN ISO 12100-2:2003, EN ISO 2867:2008, EN ISO 7096:2008, EN ISO 6683:2008, EN ISO 2860:2008, EN ISO 6682:2008, EN ISO 3744:2009, EN 982:1996+A1:2008, EN ISO 3457:2008 EN ISO 2860:2008, EN ISO 7096:2008, ISO 5006: 2006

4. Noise level :

Certain n° : e13*2000/14*2005/88*0059*08

Date : 2009-06-17

Conformity assessment procedure : Attachment VIII following the periodical inspection on technical extended with "Information on the scope of delivery" by TÜV Rheinland.

Authorized entity :

Société Nationale de Certification et d'Homologation s.à r.l
CE0499 11, route de Luxembourg
5230 Sandweiler
Luxemburg

Engine power : *** kW

Guaranteed sound power level : *** dB (A)

5. Remarks

Managing Director

Geel, Belgium

//*****

FOREWORD

This manual contains a number of instructions and safety recommendations regarding driving, handling, lubrication, maintenance, inspection and adjustment of the excavator.

The manual is to promote safety maintenance and enhance machine performance.

Keep this manual handy and have all personnel read it periodically.

If you sell the machine, be sure to give this manual to the new owners.

This machine complies with EC directive "2006/42/EC".

1. Read and understand this manual before operating the machine.

This operator's manual may contain attachments and optional equipment that are not available in your area. Please consult your local Hyundai distributor for those items you require.

Improper operation and maintenance of this machine can be hazardous and could result in serious injury or death.

Some actions involved in operation and maintenance of the machine can cause a serious accident, if they are not done in a manner described in this manual.

The procedures and precautions given in this manual apply only to intended uses of the machine.

If you use your machine for any unintended uses that are not specifically prohibited, you must be sure that it is safe for you and others. In no event should you or others engage in prohibited uses of actions as described in this manual.

2. Inspect the jobsite and follow the safety recommendations in the safety hints section before operating the machine.

3. Use genuine Hyundai spare parts for the replacement of parts.

We expressly point out that Hyundai will not accept any responsibility for defects resulting from non-genuine parts or non workmanlike repair.

In such cases Hyundai cannot assume liability for any damage.

Continuing improvements in the design of this machine can lead to changes in detail which may not be reflected in this manual. Consult Hyundai or your Hyundai distributor for the latest available information for your machine or for questions regarding information in this manual.

BEFORE SERVICING THIS MACHINE

It is the responsibility of the owner and all service and maintenance personnel to avoid accidents and serious injury by keeping this machine properly maintained.

It also is the responsibility of the owner and all service and maintenance personnel to avoid accidents and serious injury while servicing the machine.

No one should service or attempt to repair this machine without proper training and supervision.

All service and maintenance personnel should be thoroughly familiar with the procedures and precautions contained in this manual.

All personnel also must be aware of any federal, state, provincial or local laws or regulations covering the use and service of construction equipment.

The procedures in this manual do not supersede any requirements imposed by federal, state, provincial or local laws.

Hyundai can not anticipate every possible circumstance or environment in which this machine may be used and serviced.

All personnel must remain alert to potential hazards.

Work within your level of training and skill.

Ask your supervisor if you are uncertain about a particular task. Do not try to do too much too fast.

Use your common sense.

EC REGULATION APPROVED

- Noise level (EN474-1 : 2006 and 2000/14/EC) are as followings.
LWA : 93 dB (EU only)
LPA : 76 dB
- The value of vibrations transmitted by the operator's seat are lower than standard value of (EN474-1 : 2006 and 2002/44/EC)

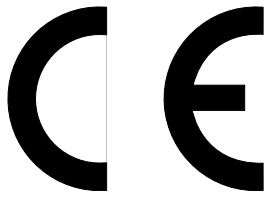


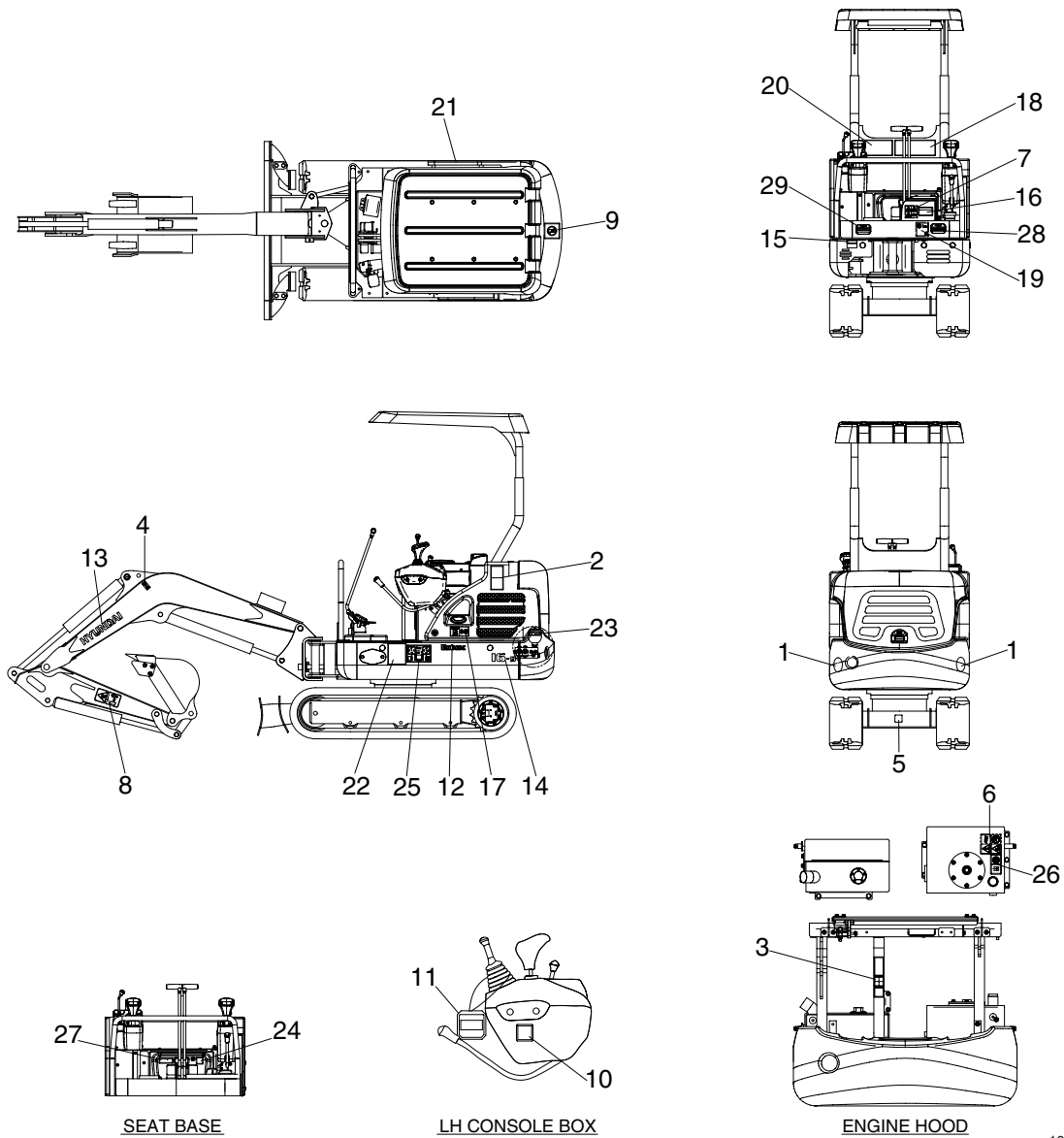
TABLE TO ENTER SERIAL NO. AND DISTRIBUTOR

Machine Serial No.	
Engine Serial No.	
Manufacturing year	
Manufacturer Address	Hyundai Heavy Industries co., Ltd. 1, Jeonha-Dong, Dong-Ku, Ulsan 682-792, Korea
Distributor for U.S.A Address	Hyundai Heavy Industries U.S.A, Inc 955 Estes Avenue EIK Grove village IL, 60001 U.S.A
Distributor for Europe Address	Hyundai Heavy Industries Europe N. V. Vossendal 11 2240 Geel Belgium
Dealer Address	

SAFETY LABELS

1. LOCATION

Always keep these labels clean. If they are lost or damaged, attach them again or replace them with a new label.



- | | | |
|-------------------------|------------------------|---------------------|
| 1 Reflecting | 11 Under repair | 21 Cabin RH window |
| 2 Keep clear-rear | 12 Robex logo | 22 Pattern change |
| 3 Caution - engine room | 13 Hyundai logo - boom | 23 Accumulator |
| 4 Lifting point | 14 Model name | 24 Battery position |
| 5 Tie | 15 Grease | 25 Swivel control |
| 6 Hydraulic oil lub | 16 ECU connector | 26 Fuel shut-off |
| 7 Battery accident | 17 Fueling | 27 Water separator |
| 8 Keep clear - boom/arm | 18 Service instruction | 28 Name plate |
| 9 No step | 19 Noise level | 29 ROPS plate |
| 10 Console tilting | 20 Lifting chart | |

1690SL01

2. DESCRIPTION

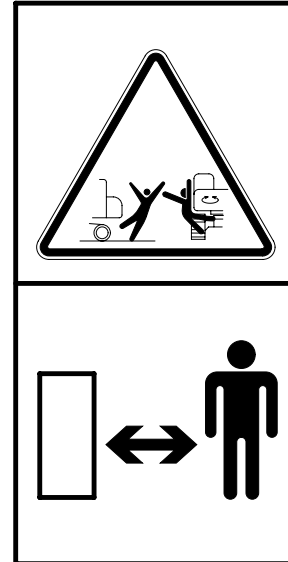
There are several specific warning labels on this machine please become familiarized with all warning labels.

Replace any safety label that is damaged, or missing.

1) KEEP CLEAR-REAR (item 2)

This warning label is positioned on the side of fuel tank.

- ▲ To prevent serious personal injury or death keep clear of machine swing radius.
- ▲ Do not deface or remove this label from the machine.

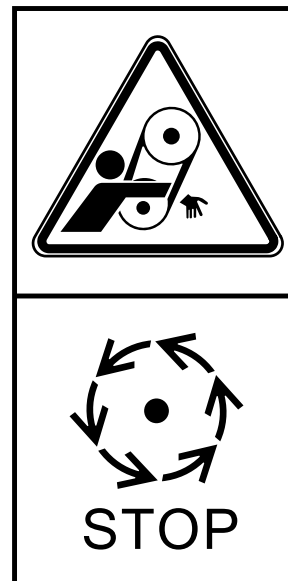


R5570FW13

2) CAUTION-ENGINE ROOM (item 3)

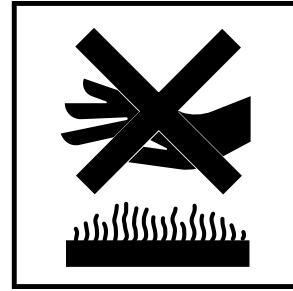
This warning label is positioned inside of the engine hood.

- ▲ Do not open the engine hood during the engine's running.
- ▲ Escaping fluid under pressure can penetrate the skin causing serious injury.
- ※ Study the service manual before service job.
- ▲ Never open the filler cap while engine running or at high coolant oil temperature.
- ▲ Study the operator's manual before starting and operating machine.



R5570FW14

⚠ Do not touch exhaust pipe or it may cause severe burn.

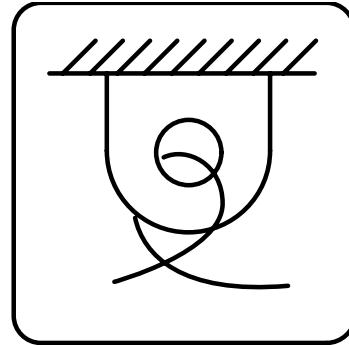


R5570FW14

3) TIE (item 5)

This warning label is positioned on the lower frame.

- ※ **Never tow the machine using tie hole, because this may break.**
- ※ **See page 4-10 for detail.**



4507A0FW02

4) HYDRAULIC OIL LUBRICATION (item 6)

This warning label is positioned on the hydraulic tank.

- ※ **Do not mix with different brand oils.**
- ⚠ Never open the filler cap while engine running or at high hydraulic oil temperature.**
- ⚠ Loosen the cap slowly and release internal pressure completely.**



21070FW08

5) BATTERY ACCIDENT (item 7)

This warning label is positioned front of seat base.

⚠ **Electrolyte containing sulfuric acid cause severe burns. Avoid being in contact with skin, eyes or clothes. In the event of accident flush with sufficient water, call a physician immediately.**

※ **Maintain the electrolyte at the recommended level. Add distilled water to the battery only when starting up, never when shutting down.**

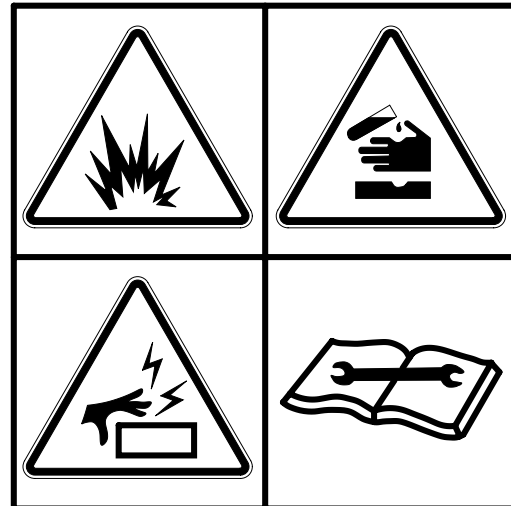
With electrolyte at proper level, less space may cause the gases to be accumulated in the battery.

⚠ **Extinguish all smoking materials and open flames before checking the battery.**

⚠ **Do not use matches, lighters or torches as a light source near the battery for the probable presence of explosive gas.**

⚠ **Do not allow unauthorized personnel to change the battery or to use booster cables.**

⚠ **For safety from electric shock, do not battery terminals with a wet hand.**



36070FW05

6) KEEP CLEAR-BOOM/ARM (item 8)

This warning label is positioned on both side of the arm.

⚠ **Serious injury or death can result from falling of the attachment.**

⚠ **To prevent serious injury or death, keep clear the underneath of attachment.**

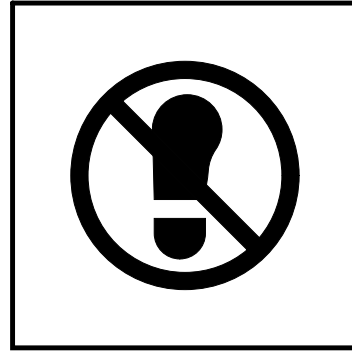


R5570FW31

7) **NO STEP** (item 9)

This warning label is positioned on the engine hood.

⚠ **Do not step on the engine hood.**

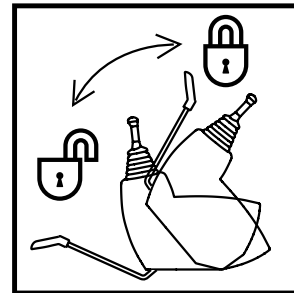


21070FW16

8) **CONSOLE TILTING** (item 10)

This warning label is positioned on the LH console box.

※ **Before you get off the machine be sure to tilt the LH console box.**



R5570FW17

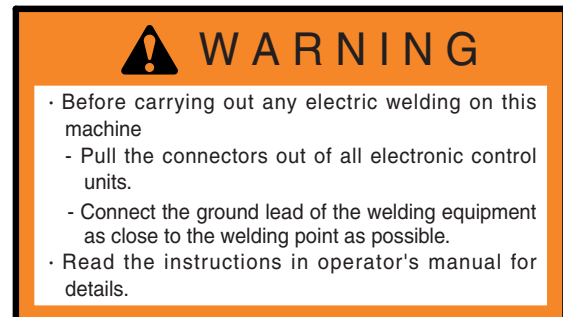
9) **ECU CONNECTOR** (item 16)

This warning label is positioned front of seat base.

⚠ **Before carrying out any electric welding on this machine, follow the below procedure.**

- Pull the connector out of all electric control units.
- Connect the ground lead of the welding equipment as close to the welding point as possible.

※ **See page 6-36 for detail.**

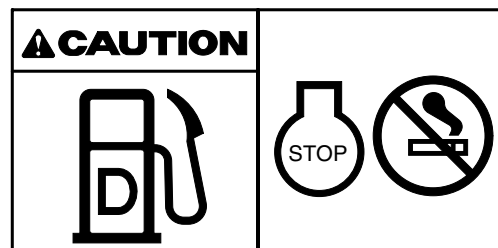


7807AFW20

10) **FUELING** (item 17)

This warning label is positioned on the right side of fuel filler neck.

⚠ **Stop the engine when refueling. All lights or flames shall be kept at a safe distance while refueling.**



R35Z70FW04

11) CABIN RH WINDOW (item 21)

This warning label is positioned on the right side of upper frame.

- ▲ Serious injury or death can result from contact with electric lines.

An electric shock being received by merely coming into the vicinity of an electric lines, the minimum distance should be kept considering the supply voltage as page 1-7.

- ▲ Serious injury or death can result from dropping bucket.

- ▲ Operating the machine with quick clamp switch unlocked or without safety pin of moving hook can cause the bucket to drop off.

- ▲ Be careful to operate machine equipped with quick clamp or extensions.

- ▲ Bucket may hit cab or boom, boom cylinders when it reached vicinity of them.

- ▲ Study the operator's manual before transporting the machine, if provided and tie down arm and track to the carrier with lashing wire.

See page 5-6 for details.

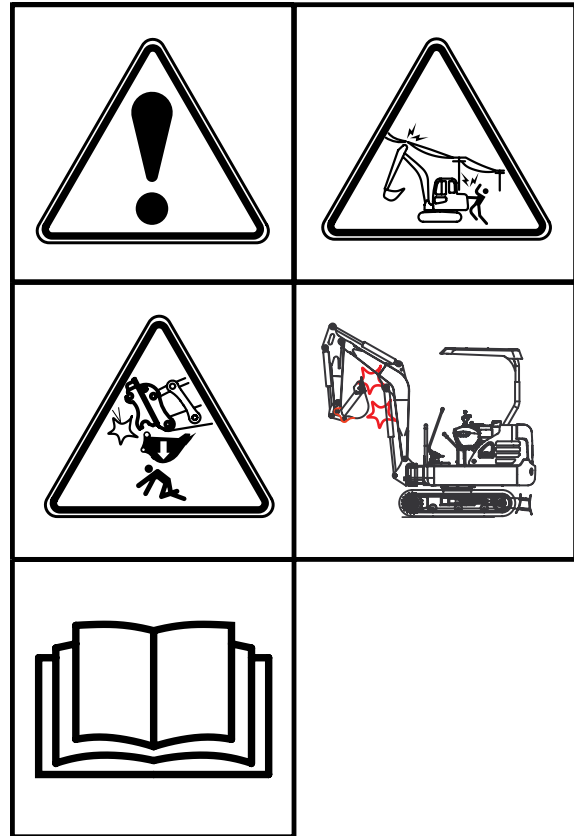
- ▲ Make sure wire rope is proper size and keep correct hoisting method.

See page 5-7 for details.

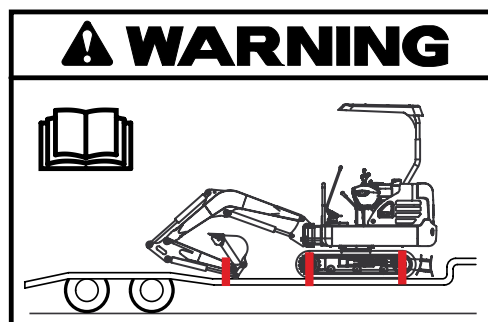
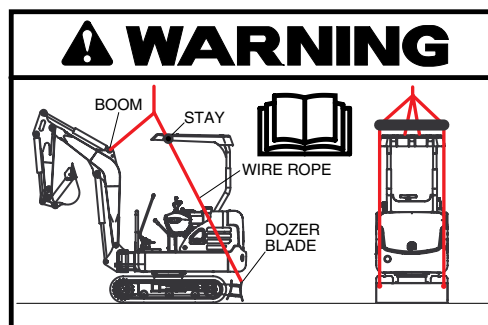
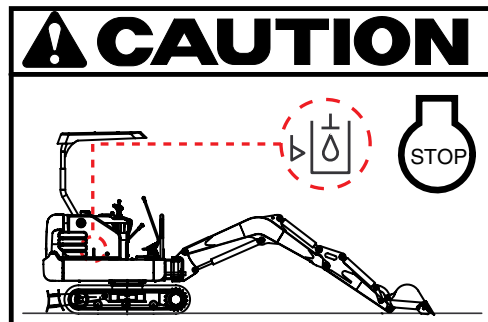
- ▲ Place the bucket on the ground whenever servicing the hydraulic system.

Check oil level on the level gauge.

Refill the recommended hydraulic oil up to specified level if necessary.



1690SL03

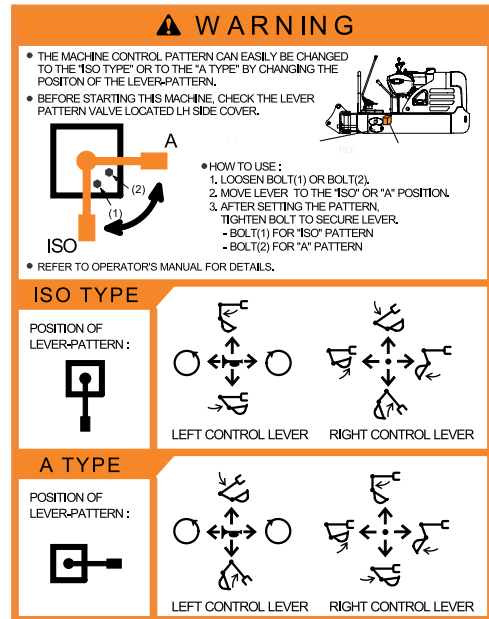


1690SL04

12) PATTERN CHANGE (item 22)

This warning label is positioned on the left side of upper frame.

- ⚠ **Check the machine control pattern for conformance to pattern on this label. If not, change label to match pattern before operating machine.**
- ⚠ **Failure to do so could result in injury or death.**
- ※ **See page 4-7 for details.**

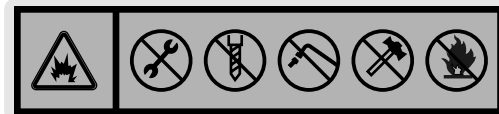


1690SL05

13) ACCUMULATOR (item 23)

This warning label is positioned on the accumulator of the solenoid valve.

- ※ **The accumulator is filled with high-pressure nitrogen gas, and it is extremely dangerous if it is handled in the wrong way. Always observe the following precautions.**
- ⚠ **Never make any hole in the accumulator expose it to flame or fire.**
- ⚠ **Do not weld anything to the accumulator.**
- ※ **When carrying out disassembly or maintenance of the accumulator, or when disposing of the accumulator, it is necessary to release the gas from the accumulator. A special air bleed valve is necessary for this operation, so please contact your Hyundai distributor.**

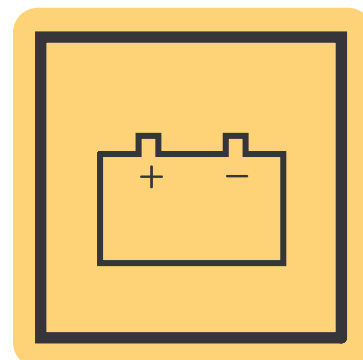


1107A0FW46

14) BATTERY POSITION (item 24)

This warning label is positioned front of seat base.

- ※ **See page 6-34 for the battery handling.**

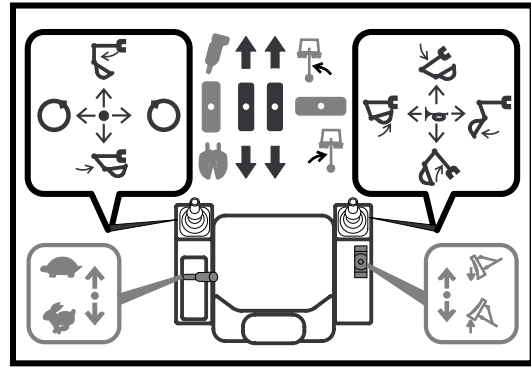


38090FW03

15) **SWIVEL CONTROL** (item 25)

This warning label is positioned on the left side of upper frame.

- ▲ **Check the machine control pattern for conformance to pattern on this label.** If not, change label to match pattern before operating machine.
- ▲ **Failure to do so could result in injury or death.**
- ※ **See page 4-7 for details.**

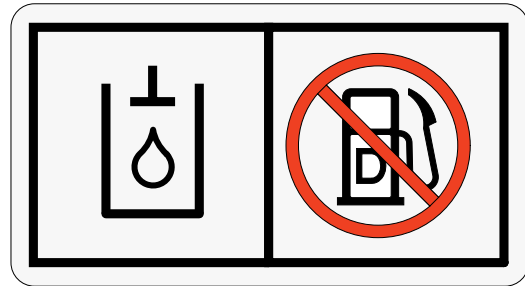


1690SL02

16) **FUEL SHUT-OFF** (item 26)

This warning label is positioned out the hydraulic tank.

- ※ **Fill only the hydraulic oil.**
Do not fill the diesel fuel.

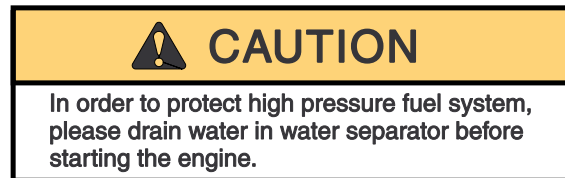


140WH90FW51

17) **WATER SEPARATOR** (item 27)

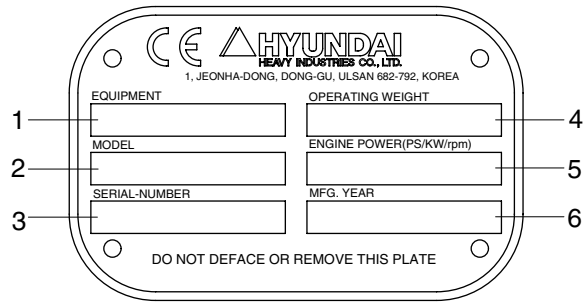
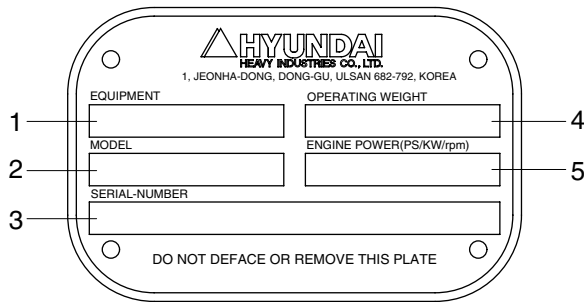
This warning label is positioned front of seat base.

- ※ **In order to protect high pressure fuel system, please drain water in water separator before starting the engine.**



1690SL06

MACHINE DATA PLATE



FOR EU ONLY

21090FW10

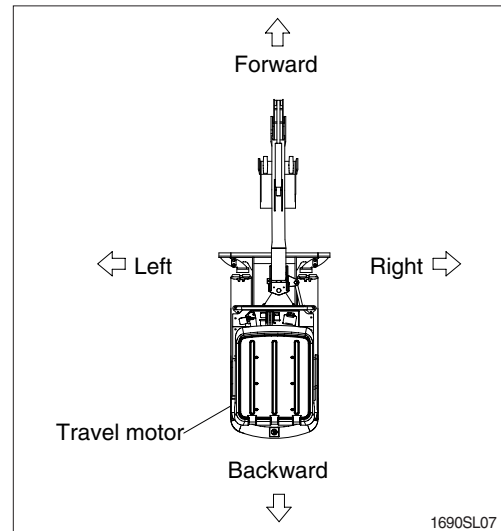
- | | | | | | |
|---|------------|---|------------------|---|--------------------|
| 1 | Equipment | 3 | Serial number | 5 | Engine power |
| 2 | Model name | 4 | Operating weight | 6 | Manufacturing year |

※ The machine serial number assigned to this particular machine and should be used when requesting information or ordering service parts for this machine from your authorized HYUNDAI dealer. The machine serial number is also stamped on the frame.

GUIDE

1. DIRECTION

The direction of this manual indicate forward, backward, right and left on the standard of operator when the travel motor is in the rear and machine is on the traveling direction.

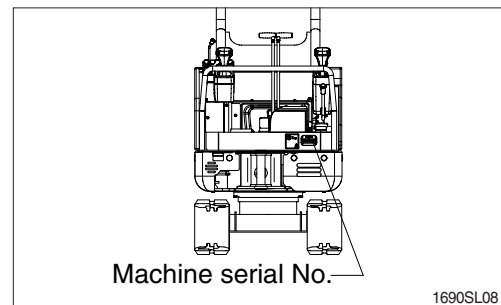


2. SERIAL NUMBER

Inform following when you order parts or the machine is out of order.

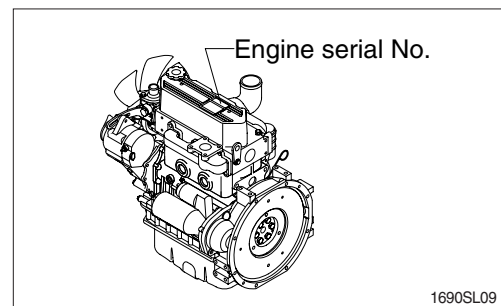
1) MACHINE SERIAL NUMBER

The numbers are located front of the canopy.



2) ENGINE SERIAL NUMBER

The numbers are located on the engine name plate.



3. INTENDED USE

This machine is designed to be used mainly for the following work.

- Digging work
- Loading work
- Smoothing work
- Ditching work

※ Please refer to the section 4 (efficient working method) further details.

4. SYMBOLS

▲ Important safety hint.

△ It indicates matters which can cause the great loss on the machine or the surroundings.

※ It indicates the useful information for operator.