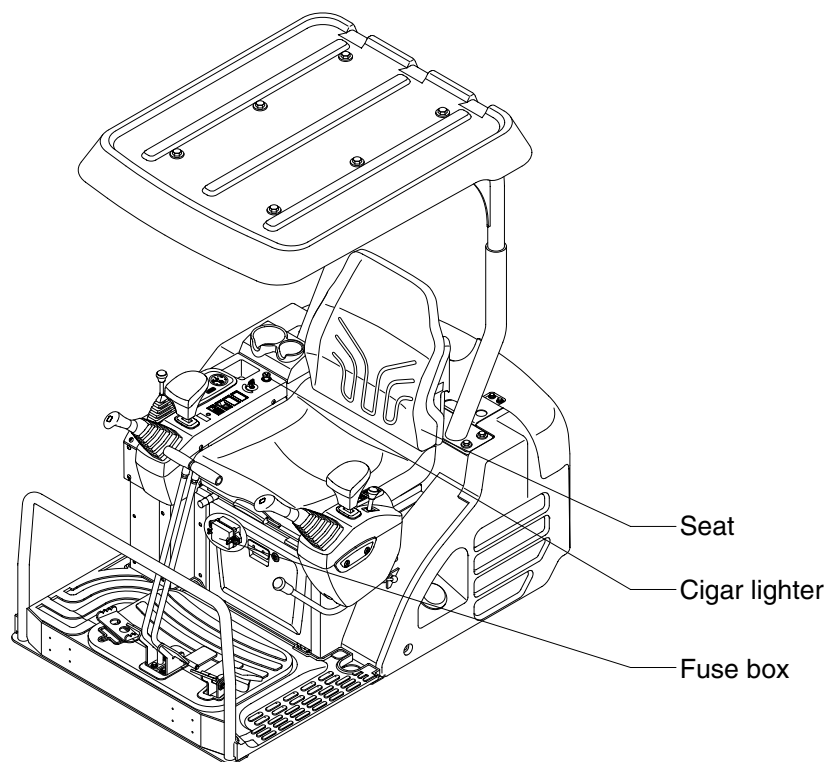
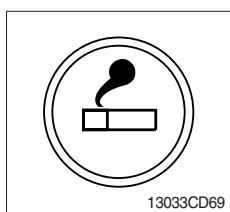


## 5. OTHERS



1693CD11

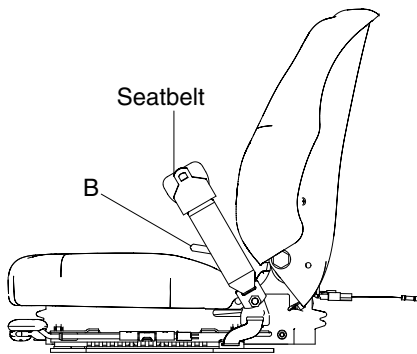
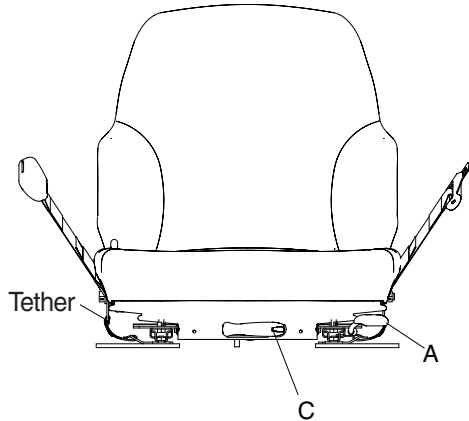
### 1) CIGAR LIGHTER



- (1) This can be used when the engine starting switch is ON.
  - (2) The lighter can be used when it springs out in a short while after being pressed down.
- ※ **Service socket**  
**Use cigar lighter socket when you need emergency power.**  
**Do not use the lighter exceeding 12V, 120W.**

## 2) SEAT

The seat is adjustable to fit the contours of the operator's body. It will reduce operator fatigue due to long work hours and enhance work efficiency.



R27Z93CD16

### (1) For/aft adjustment (A)

The seat can be positioned over a range 52mm, giving you plenty of room to maneuver in every height and work situation.

### (2) Seatback angle adjustment (B)

The seatback adjusts over a range of  $-5^{\circ}$  to  $+25^{\circ}$  with 18 locking positions, to give your back full support for every job and make sure you feel best.

### (3) Weight adjustment (C)

Just sit down, press the smooth-action lever, click, and you're primed for action, with optimum suspension for all operator weights between 45 and 136 kg (99 and 300 lb). Design comfort with driver appeal-it only takes one simple action to adjust the suspension to the ideal sitting position that's best for you and your back.

### (4) Seatbelt system

The seatbelt provides freedom of movement, yet ensure that you're safety restrained in your seat, even if your vehicle should crash or tip over.

- ▲ Always check the condition of the seat belt and mounting hardware before operating the machine.
- ▲ Replace the seat belt at least once every three years, regardless of appearance.

## 3) FUSE BOX

20A	WIPER MOTOR 와이퍼모터	SPARE.10A	20A	BEACON CASSETTE 경광등,카세트
20A	HORN, CIGAR 경적음		20A	CABIN LAMP 케빈 전등
20A	SAFETY SOL. TRAVEL SOL. 솔레노이드	SPARE.20A	20A	WORK LAMP 작업등
10A	FUEL FEED PUMP, ALT. 연료공급펌프		20A	HEATER 히터
20A	OPTION 선택장치	SPARE.20A	20A	SPARE
	FUSE PULLER		10A	MONITOR RADIO 모니터/오디오
			20A	B+ 상시전원

R27Z93CD60

- (1) The fuses protect the electrical parts and wiring from burning out.
- (2) The fuse box cover indicates the capacity of each fuse and circuit it protects.
  - ※ Replace a fuse with another of the same capacity.
  - ▲ Before replacing a fuse, be sure to turn OFF the starting switch.