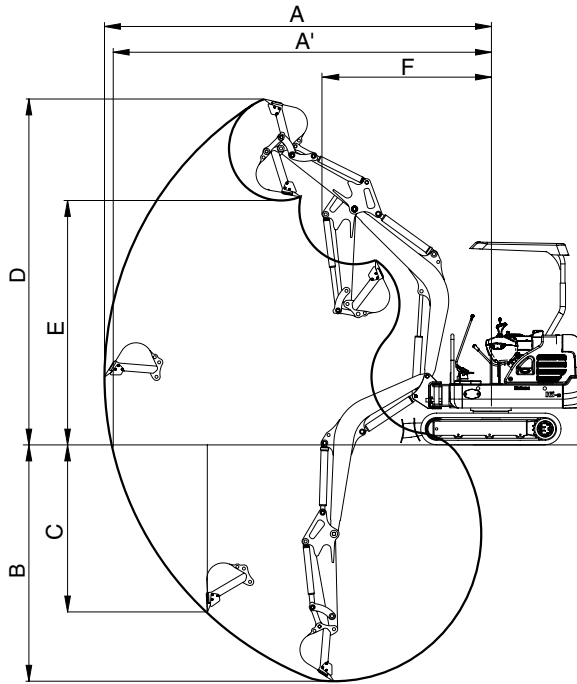


### 3. WORKING RANGE

#### 1) 1.80 m (5' 11") MONO BOOM WITH BOOM SWING POST



1692SP03

Description		0.96 m (3' 2") Arm	
Max digging reach	A	3970 mm (13' 0")	
Max digging reach on ground	A'	3880 mm (12' 9")	
Max digging depth	B	2250 mm ( 7' 5")	
Max vertical wall digging depth	C	1785 mm ( 5' 10")	
Max digging height	D	3670 mm (12' 0")	
Max dumping height	E	2550 mm ( 8' 4")	
Min swing radius	F	1615 mm ( 5' 4")	
Boom swing radius (left/right)		60°/60°	
Bucket digging force	SAE	13.1 kN	
		1340 kgf	
		2950 lbf	
	ISO	15.1 kN	
		1540 kgf	
		3400 lbf	
Arm crowd force	SAE	9.0 kN	
		920 kgf	
		2030 lbf	
	ISO	9.4 kN	
		960 kgf	
		2120 lbf	