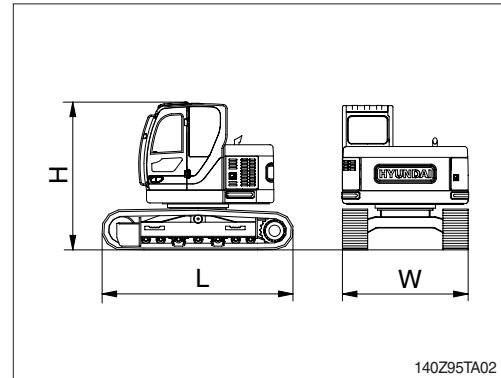


## 2. DIMENSION AND WEIGHT

### 1) BASE MACHINE (R145CR-9)

Mark	Description	Unit	Specification
L	Length	mm (ft-in)	3640 (11' 11")
H	Height	mm (ft-in)	2900 (9' 6")
W	Width	mm (ft-in)	2500 (8' 2")
Wt	Weight	kg (lb)	12180 (26850)

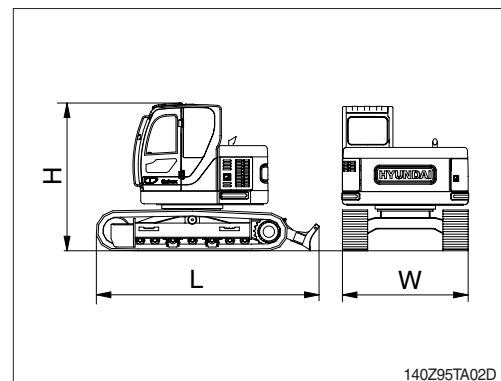
※ With 500 mm (20") triple grouser shoes and 2800 kg (6170 lb) counterweight.



### 2) BASE MACHINE (R145CRD-9)

Mark	Description	Unit	Specification
L	Length	mm (ft-in)	4190 (13' 9")
H	Height	mm (ft-in)	2900 (9' 6")
W	Width	mm (ft-in)	2500 (8' 2")
Wt	Weight	kg (lb)	12980 (28620)

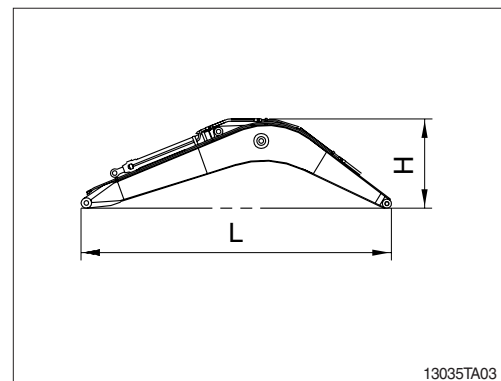
※ With 500 mm (20") triple grouser shoes and 2800 kg (6170 lb) counterweight.



### 3) BOOM ASSEMBLY

Mark	Description	Unit	Specification
L	Length	mm (ft-in)	4750 (15' 7")
H	Height	mm (ft-in)	1340 (4' 5")
W	Width	mm (ft-in)	520 (1' 8")
Wt	Weight	kg (lb)	1020 (2250)

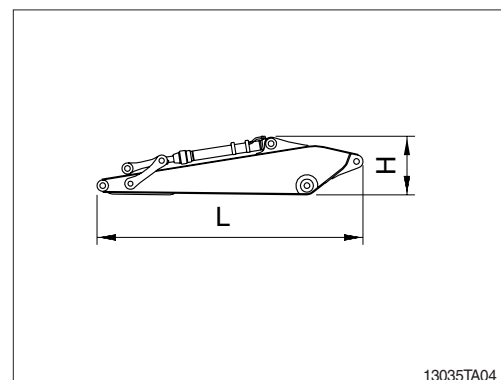
※ 4.6 m (15' 1") boom with arm cylinder (Included piping and pins).



### 4) ARM ASSEMBLY

Mark	Description	Unit	Specification
L	Length	mm (ft-in)	3240 (10' 8")
H	Height	mm (ft-in)	740 (2' 5")
W	Width	mm (ft-in)	380 (1' 3")
Wt	Weight	kg (lb)	620 (1370)

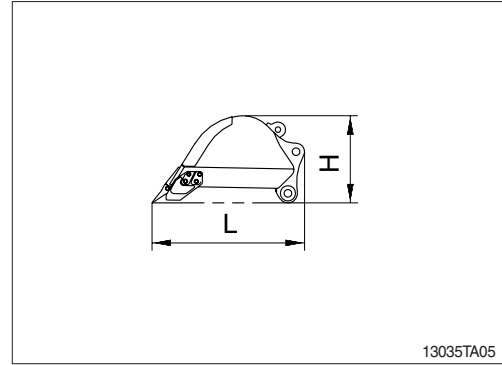
※ 2.50 m (8' 2") arm with bucket cylinder (Included linkage and pins).



### 5) BUCKET ASSEMBLY

Mark	Description	Unit	Specification
L	Length	mm (ft-in)	1400 (4' 7")
H	Height	mm (ft-in)	800 (2' 7")
W	Width	mm (ft-in)	1045 (3' 5")
Wt	Weight	kg (lb)	460 (1010)

※ 0.52 m<sup>3</sup> (0.68 yd<sup>3</sup>) PCSA heaped bucket (Included tooth and side cutters).

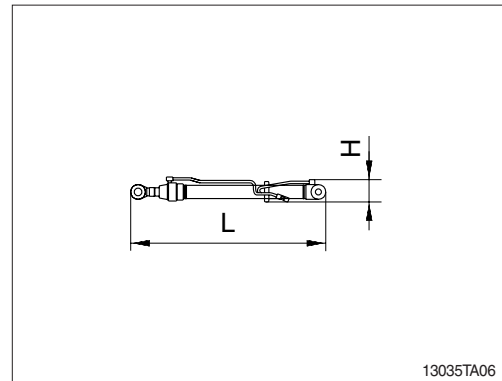


13035TA05

### 6) BOOM CYLINDER

Mark	Description	Unit	Specification
L	Length	mm (ft-in)	1760 (5' 9")
H	Height	mm (ft-in)	210 (0' 8")
W	Width	mm (ft-in)	310 (1' 0")
Wt	Weight (2 EA)	kg (lb)	260 (570)

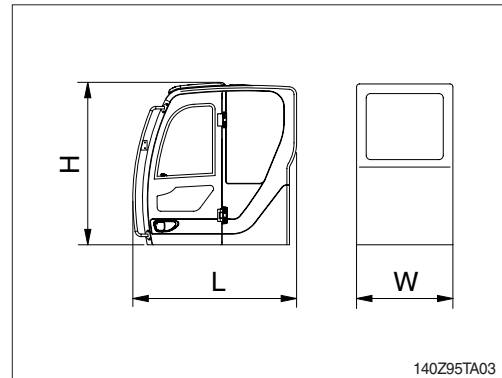
※ Included piping.



13035TA06

### 7) CAB ASSEMBLY

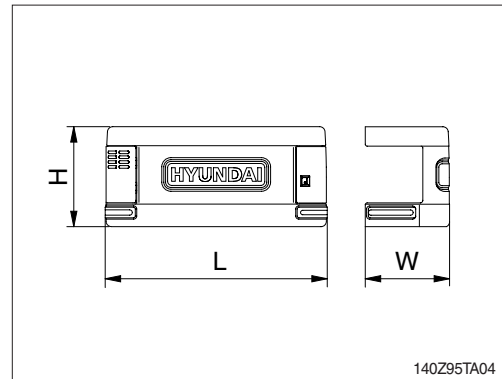
Mark	Description	Unit	Specification
L	Length	mm (ft-in)	2000 (6' 7")
H	Height	mm (ft-in)	1740 (5' 9")
W	Width	mm (ft-in)	1288 (4' 2")
Wt	Weight	kg (lb)	450 (990)



140Z95TA03

### 8) COUNTERWEIGHT

Mark	Description	Unit	Specification
L	Length	mm (ft-in)	2490 (8' 2")
H	Height	mm (ft-in)	1135 (3' 9")
W	Width	mm (ft-in)	960 (3' 2")
Wt	Weight	kg (lb)	2800 (6170)



140Z95TA04