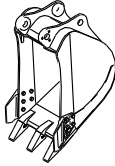
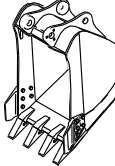
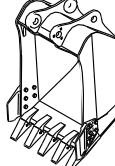


## 6. BUCKET SELECTION GUIDE

### 1) R145CR-9, R145CRD-9

#### (1) General bucket

		
0.23 m <sup>3</sup> SAE heaped bucket	0.40, 0.46 m <sup>3</sup> SAE heaped bucket	0.52, 0.58, 0.65, 0.71 m <sup>3</sup> SAE heaped bucket

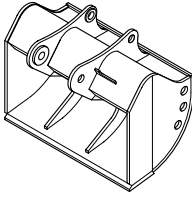
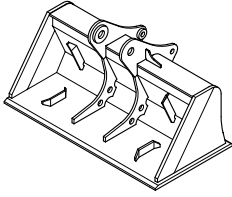
Capacity		Width		Weight	Recommendation			
					4.6 m (15' 1") boom			
SAE heaped	CECE heaped	Without side cutter	With side cutter		1.9 m arm (6' 3")	2.1 m arm (6' 11")	2.5 m arm (8' 2")	3.0 m arm (9' 10")
0.23 m <sup>3</sup> (0.30 yd <sup>3</sup> )	0.20 m <sup>3</sup> (0.26 yd <sup>3</sup> )	520 mm (20.5")	620 mm (24.4")	335 kg (740 lb)				
0.40 m <sup>3</sup> (0.52 yd <sup>3</sup> )	0.35 m <sup>3</sup> (0.46 yd <sup>3</sup> )	750 mm (29.5")	850 mm (33.5")	410 kg (900 lb)				
0.46 m <sup>3</sup> (0.60 yd <sup>3</sup> )	0.40 m <sup>3</sup> (0.52 yd <sup>3</sup> )	840 mm (33.1")	940 mm (37.0")	435 kg (960 lb)				
0.52 m <sup>3</sup> (0.68 yd <sup>3</sup> )	0.45 m <sup>3</sup> (0.59 yd <sup>3</sup> )	915 mm (36.0")	1015 mm (40.0")	460 kg (1010 lb)				
0.58 m <sup>3</sup> (0.76 yd <sup>3</sup> )	0.50 m <sup>3</sup> (0.65 yd <sup>3</sup> )	1000 mm (39.4")	1100 mm (43.3")	480 kg (1060 lb)				
0.65 m <sup>3</sup> (0.85 yd <sup>3</sup> )	0.55 m <sup>3</sup> (0.72 yd <sup>3</sup> )	1105 mm (43.5")	1205 mm (47.4")	500 kg (1100 lb)				
0.71 m <sup>3</sup> (0.93 yd <sup>3</sup> )	0.60 m <sup>3</sup> (0.78 yd <sup>3</sup> )	1190 mm (46.9")	1290 mm (50.8")	540 kg (1190 lb)				

Applicable for materials with density of 2000 kg/m<sup>3</sup> (3370 lb/yd<sup>3</sup>) or less

Applicable for materials with density of 1600 kg/m<sup>3</sup> (2700 lb/yd<sup>3</sup>) or less

Applicable for materials with density of 1100 kg/m<sup>3</sup> (1850 lb/yd<sup>3</sup>) or less

**(2) Special bucket**

<p>Ditch cleaning bucket</p> 	<p>Slope finishing bucket</p> 
<p>★0.45 m<sup>3</sup> SAE heaped bucket</p>	<p>⊙0.55 m<sup>3</sup> SAE heaped bucket</p>

Capacity		Width		Weight	Recommendation			
					4.6 m (15' 1") boom			
SAE heaped	CECE heaped	Without side cutter	With side cutter		1.9 m arm (6' 3")	2.1 m arm (6' 11")	2.5 m arm (8' 2")	3.0 m arm (9' 10")
★0.45 m <sup>3</sup> (0.59 yd <sup>3</sup> )	0.40 m <sup>3</sup> (0.52 yd <sup>3</sup> )	1520 mm (59.8")	-	410 kg (900 lb)				-
⊙0.55 m <sup>3</sup> (0.72 yd <sup>3</sup> )	0.45 m <sup>3</sup> (0.59 yd <sup>3</sup> )	1800 mm (70.9")	-	585 kg (1290 lb)				-

★ : Ditch cleaning bucket

⊙ : Slope finishing bucket

Applicable for materials with density of 2000 kgf/m<sup>3</sup> (3370 lbf/yd<sup>3</sup>) or less

Applicable for materials with density of 1600 kgf/m<sup>3</sup> (2700 lbf/yd<sup>3</sup>) or less

Applicable for materials with density of 1100 kgf/m<sup>3</sup> (1850 lbf/yd<sup>3</sup>) or less