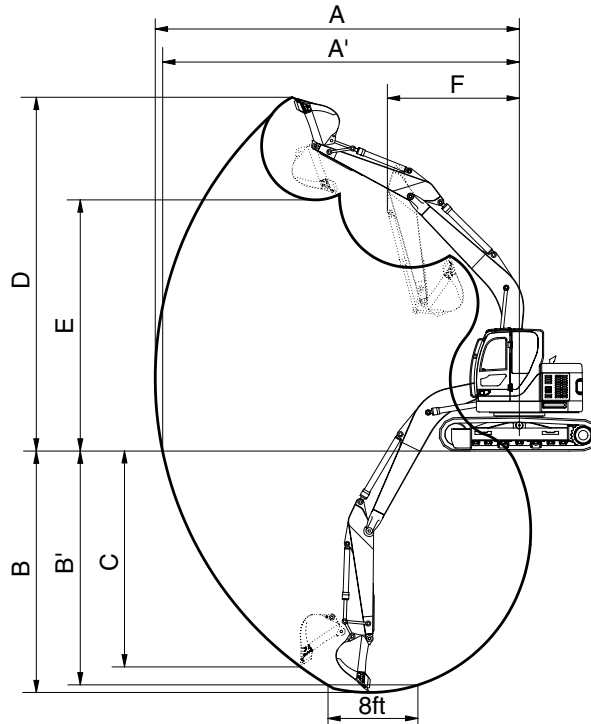


3. WORKING RANGE

1) R145CR/CRD-9

(1) 4.60 m (15' 1") MONO BOOM



140Z92SP06

Description		1.90 m (6' 3") Arm	2.10 m (6' 11") Arm	※2.50 m (8' 2") Arm	3.00 m (9' 10") Arm
Max digging reach	A	7730 mm (25' 4")	7900 mm (25' 11")	8310 mm (27' 3")	8770 mm (28' 9")
Max digging reach on ground	A'	7580 mm (24' 10")	7750 mm (25' 0")	8170 mm (26' 10")	8630 mm (28' 4")
Max digging depth	B	4890 mm (16' 1")	5100 mm (16' 9")	5500 mm (18' 1")	5990 mm (19' 8")
Max digging depth (8ft level)	B'	4640 mm (15' 3")	4870 mm (16' 0")	5290 mm (17' 4")	5810 mm (19' 1")
Max vertical wall digging depth	C	4400 mm (14' 5")	4600 mm (15' 1")	5000 mm (16' 5")	5400 mm (17' 9")
Max digging height	D	8840 mm (29' 0")	8970 mm (29' 5")	9350 mm (30' 8")	9730 mm (31' 11")
Max dumping height	E	6350 mm (20' 10")	6470 mm (21' 3")	6850 mm (22' 6")	7230 mm (23' 9")
Min swing radius	F	1860 mm (6' 1")	2030 mm (6' 8")	1980 mm (6' 6")	2260 mm (7' 5")
Bucket digging force	SAE	87.3 [94.8] kN	87.3 [94.8] kN	87.3 [94.8] kN	87.3 [94.8] kN
		8900 [9670] kgf	8900 [9670] kgf	8900 [9670] kgf	8900 [9670] kgf
		19620 [21300] lbf	19620 [21300] lbf	19620 [21300] lbf	19620 [21300] lbf
	ISO	102 [110.8] kN	102 [110.8] kN	102 [110.8] kN	102 [110.8] kN
		10400 [11290] kgf	10400 [11290] kgf	10400 [11290] kgf	10400 [11290] kgf
		22930 [24890] lbf	22930 [24890] lbf	22930 [24890] lbf	22930 [24890] lbf
Arm crowd force	SAE	76.5 [83.1] kN	73.6 [79.9] kN	62.8 [68.2] kN	55.9 [60.7] kN
		7800 [8470] kgf	7500 [8140] kgf	6400 [6950] kgf	5700 [6190] kgf
		17200 [18670] lbf	16530 [17950] lbf	14110 [15320] lbf	12570 [13640] lbf
	ISO	80.4 [87.3] kN	77.5 [84.1] kN	65.7 [71.4] kN	57.9 [62.8] kN
		8200 [8900] kgf	7900 [8580] kgf	6700 [7270] kgf	5900 [6410] kgf
		18080 [19630] lbf	17420 [18910] lbf	14770 [16040] lbf	13010 [14120] lbf

※ : STD

[] : Power boost