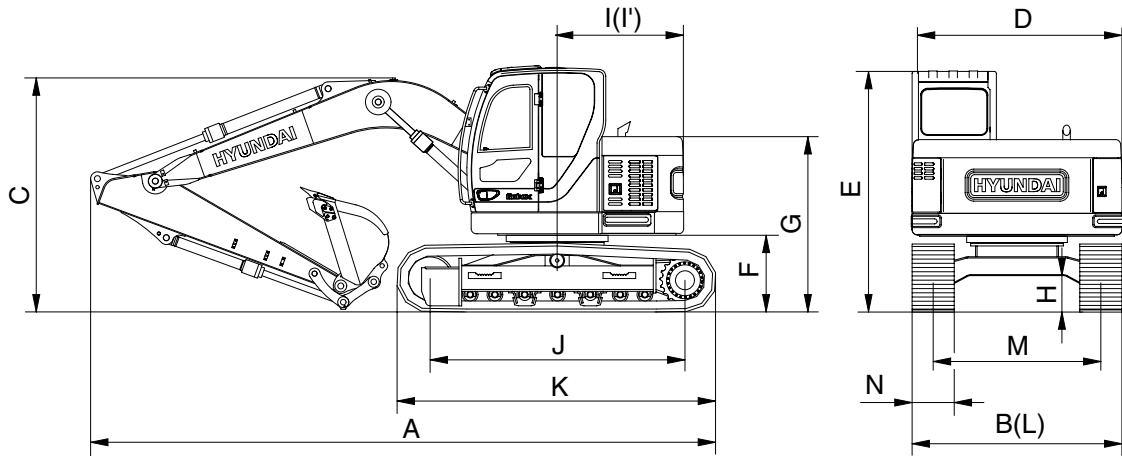


## 2. SPECIFICATIONS

### 1) R145CR-9

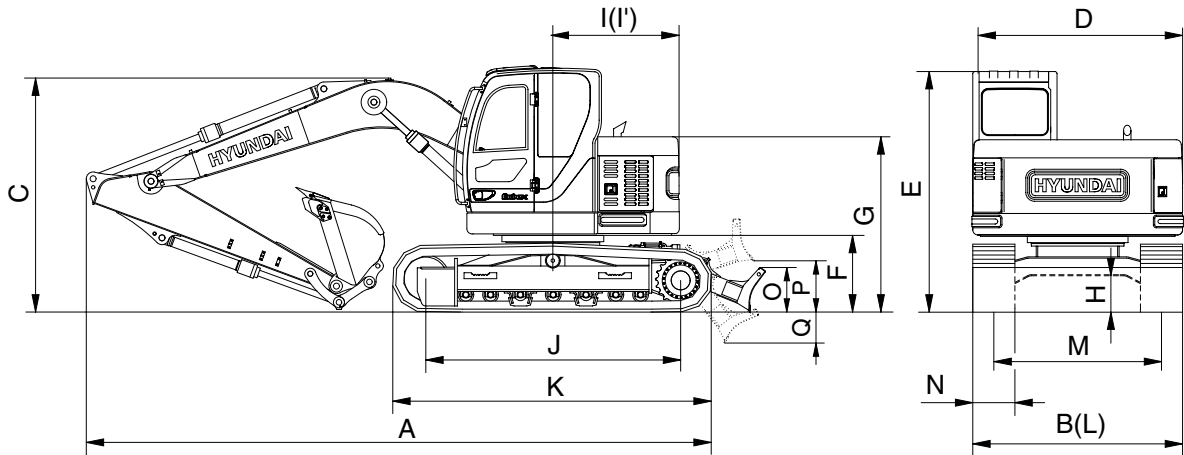
· 4.60 m (15' 1") BOOM and 2.50 m (8' 2") ARM



140Z92SP02

Description		Unit	Specification	
Operating weight		kg (lb)	14600 (32190)	
Bucket capacity (SAE heaped), standard		m <sup>3</sup> (yd <sup>3</sup> )	0.52 (0.68)	
Overall length	A	mm (ft-in)	7270 (23' 10")	
Overall width, with 500 mm shoe	B		2500 (8' 2")	
Overall height	C		2860 (9' 5")	
Superstructure width	D		2500 (8' 2")	
Overall height of cab	E		2900 (9' 6")	
Ground clearance of counterweight	F		930 (3' 1")	
Engine cover height	G		2065 (6' 9")	
Minimum ground clearance	H		440 (1' 5")	
Rear-end distance	I		1480 (4' 10")	
Rear-end swing radius	I'		1480 (4' 10")	
Distance between tumblers	J		2910 (9' 7")	
Undercarriage length	K		3640 (11' 11")	
Undercarriage width	L		2500 (8' 2")	
Track gauge	M		2000 (6' 7")	
Track shoe width, standard	N		500 (20")	
Travel speed (low/high)			km/hr (mph)	3.2/5.5 (2.0/3.4)
Swing speed			rpm	12.0
Gradeability		Degree (%)	35 (70)	
Ground pressure (500 mm shoe)		kgf/cm <sup>2</sup> (psi)	0.46 (6.54)	
Max traction force		kg (lb)	13300 (29320)	

## 2) R145CRD-9



140Z92SP04

Description		Unit	Specification	
Operating weight		kg (lb)	15400 (33950)	
Bucket capacity (SAE heaped), standard		m <sup>3</sup> (yd <sup>3</sup> )	0.52 (0.68)	
Overall length	A	mm (ft-in)	7820 (25' 8")	
Overall width, with 500 mm shoe	B		2500 (8' 2")	
Overall height	C		2860 (9' 5")	
Superstructure width	D		2500 (8' 2")	
Overall height of cab	E		2900 (9' 6")	
Ground clearance of counterweight	F		930 (3' 1")	
Engine cover height	G		2065 (6' 9")	
Minimum ground clearance	H		440 (1' 5")	
Rear-end distance	I		1480 (4' 10")	
Rear-end swing radius	I'		1480 (4' 10")	
Distance between tumbler	J		2910 (9' 7")	
Undercarriage length	K		3640 (11' 11")	
Undercarriage width	L		2500 (8' 2")	
Track gauge	M		2000 (6' 7")	
Track shoe width, standard	N		500 (20")	
Height of blade	O		575 (1' 8")	
Ground clearance of blade up	P		420 (1' 8")	
Depth of blade down	Q		430 (1' 6")	
Travel speed (low/high)			km/hr (mph)	3.2/5.5 (2.0/3.4)
Swing speed			rpm	12.0
Gradeability		Degree (%)	35 (70)	
Ground pressure (500 mm shoe)		kgf/cm <sup>2</sup> (psi)	0.49 (6.97)	
Max traction force		kg (lb)	13300 (29320)	