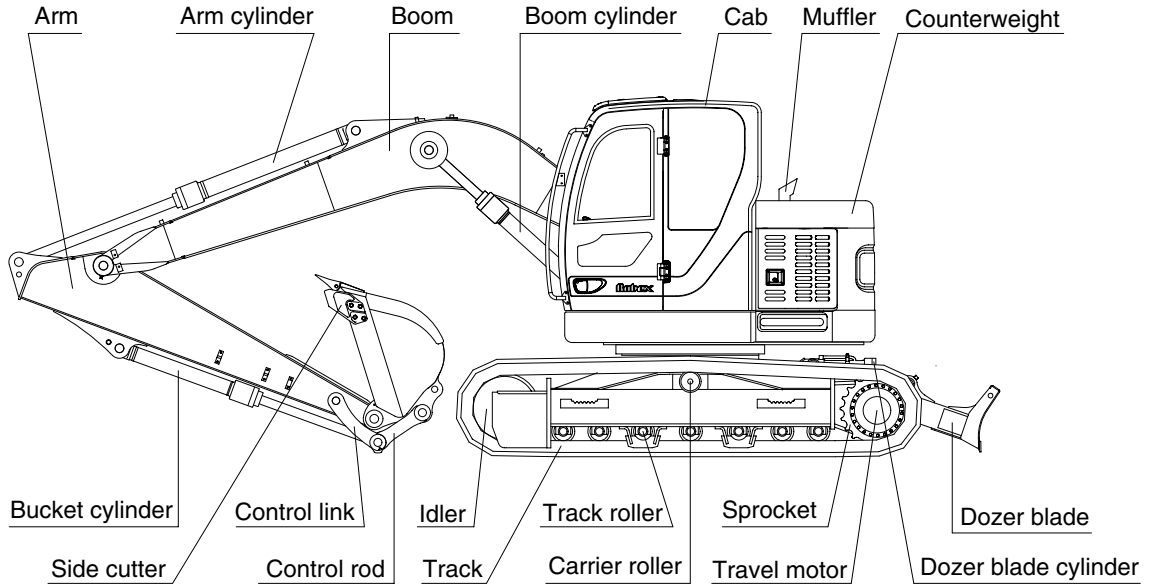
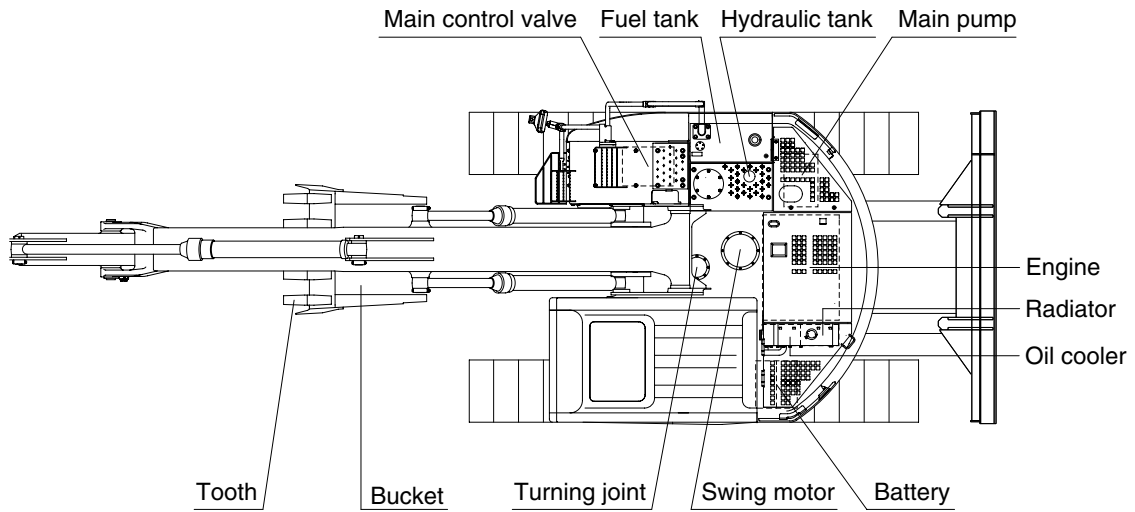


# SPECIFICATIONS

## 1. MAJOR COMPONENT



140Z92SP01