

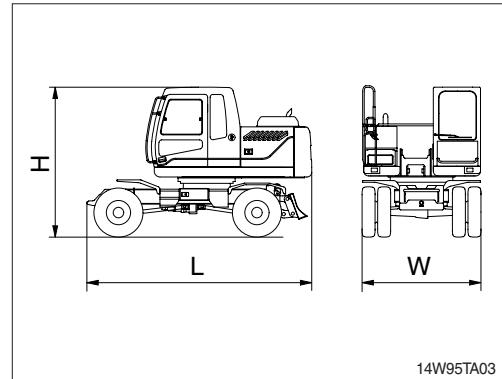
### 3. DIMENSION AND WEIGHT

#### 1) ROBEX 140W-9

##### (1) Base machine

Mark	Description	Unit	Specification
L	Length	mm (ft-in)	4410 (15' 6")
H	Height	mm (ft-in)	3140 (10' 4")
W	Width	mm (ft-in)	2500 (8' 2")
Wt	Weight	kg (lb)	11120 (24515)

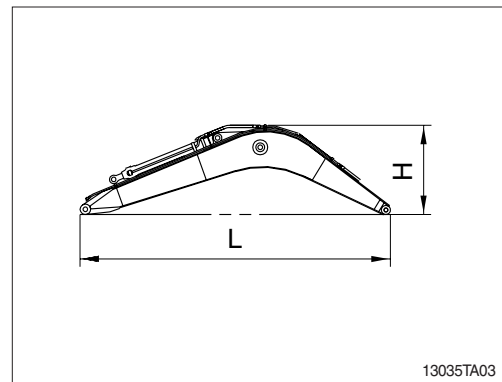
※ 1800 kg (3970 lb) counterweight.



##### (2) Boom assembly

Mark	Description	Unit	Specification
L	Length	mm (ft-in)	4760 (15' 7")
H	Height	mm (ft-in)	1360 ( 5' 6")
W	Width	mm (ft-in)	520 ( 1' 8")
Wt	Weight	kg (lb)	1020 (2250)

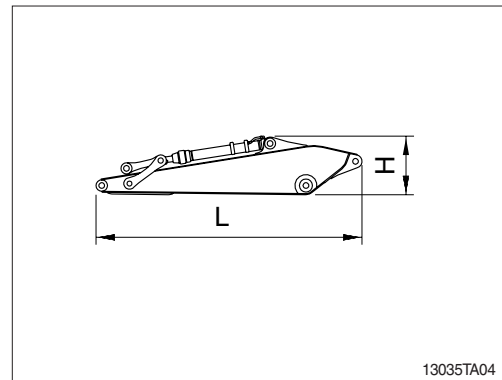
※ 4.6 m (15' 1") boom with arm cylinder (Included piping and pins).



##### (3) Arm assembly

Mark	Description	Unit	Specification
L	Length	mm (ft-in)	2850 (9' 4")
H	Height	mm (ft-in)	760 (3' 6")
W	Width	mm (ft-in)	380 (1' 3")
Wt	Weight	kg (lb)	570 (1260)

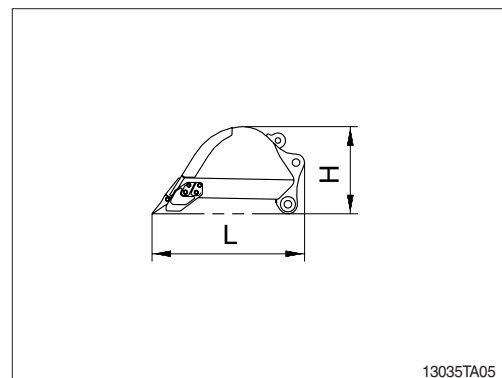
※ 2.10 m (6' 11") arm with bucket cylinder (Included linkage and pins).



##### (4) Bucket assembly

Mark	Description	Unit	Specification
L	Length	mm (ft-in)	1400 (4' 7")
H	Height	mm (ft-in)	800 (2' 7")
W	Width	mm (ft-in)	1130 (3' 8")
Wt	Weight	kg (lb)	480 (1060)

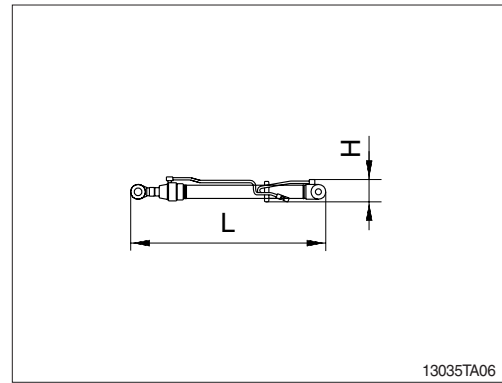
※ 0.58 m<sup>3</sup> (0.76 yd<sup>3</sup>) SAE heaped bucket (Included tooth and side cutters).



**(5) Boom cylinder**

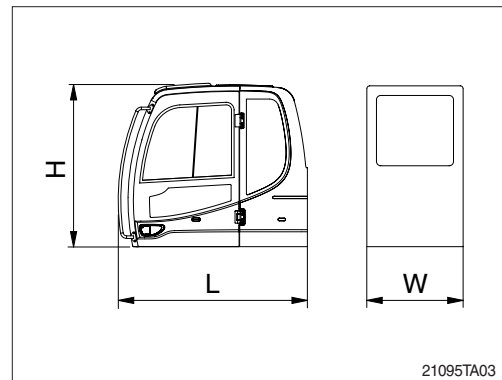
Mark	Description	Unit	Specification
L	Length	mm (ft-in)	1760 ( 5' 9")
H	Height	mm (ft-in)	210 ( 0' 8")
W	Width	mm (ft-in)	310 ( 1' 0")
Wt	Weight	kg (lb)	260 (570)

※ Included piping.



**(6) Cab assembly**

Mark	Description	Unit	Specification
L	Length	mm (ft-in)	2000 ( 6' 7")
H	Height	mm (ft-in)	1740 ( 5' 9")
W	Width	mm (ft-in)	1288 ( 4' 2")
Wt	Weight	kg (lb)	500 (1100)



**(7) Counterweight**

Mark	Description	Unit	Specification
L	Length	mm (ft-in)	2475 ( 8' 1")
H	Height	mm (ft-in)	1050 ( 3' 5")
W	Width	mm (ft-in)	450 ( 1' 6")
Wt	Weight	kg (lb)	1800 (3970)

