

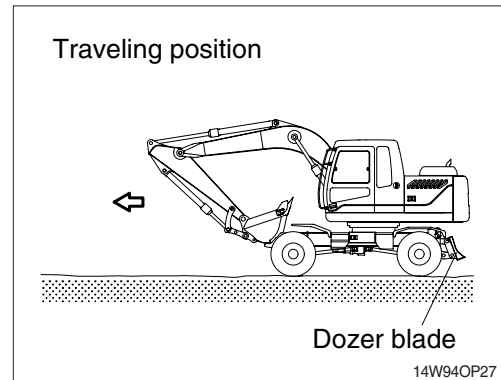
## 6. TRAVELING OF THE MACHINE

### 1) BASIC OPERATION

#### (1) Traveling position

It is the position which the dozer and rear axle is in the rear and the working device is forward.

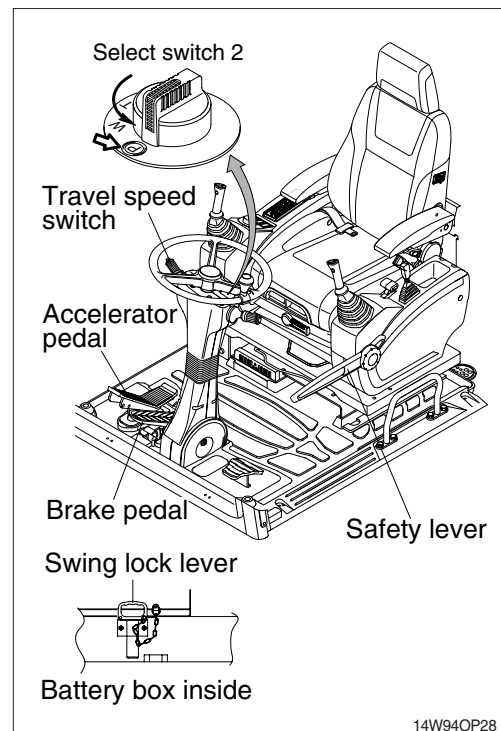
- ▲ **Travel directions will be reversed if lower structure is positioned with dozer in front.**



#### (2) Traveling operation

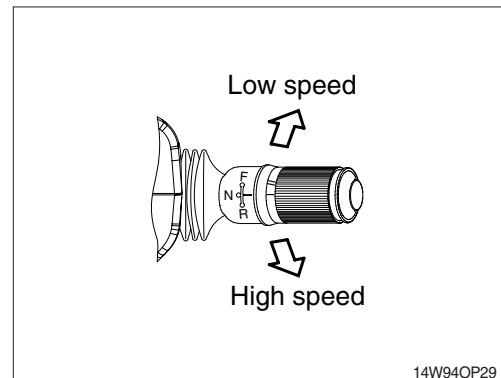
When warm-up operation is completed after the engine is started, move the machine according to the following procedure.

- ① Set the swing lock lever to lock position.
  - ② Release the safety lever.
  - ③ Put the select switch 2 in the traveling position.
  - ④ Lift up the dozer blade or outrigger.
  - ⑤ Select traveling direction.
  - ⑥ Place the two speed switch in low speed.
  - ⑦ Press gently the accelerator pedal to move the machine.
- ※ **When speed up on a slope, a noise for valve of travel motor may occur. It is not out of order in machine but peculiar sound.**
  - ※ **Be sure that the brake works normally on the safe place before fast traveling.**



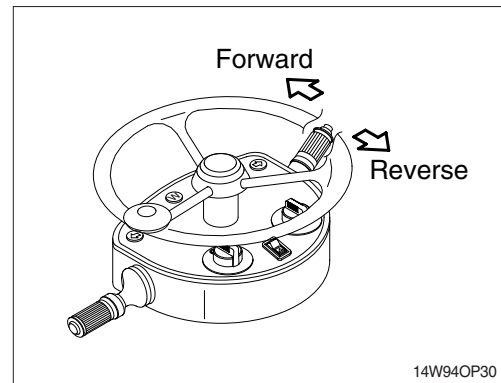
#### (3) Changing speed

If you want to change the speed, select the travel speed switch desired position.



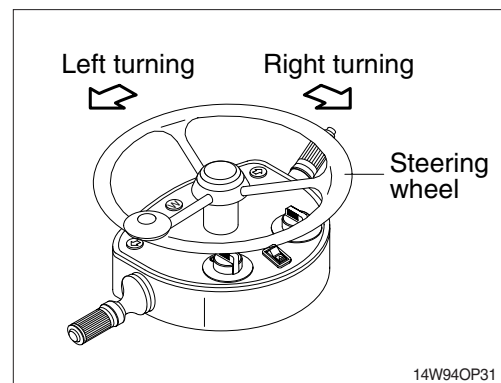
#### (4) Changing direction (forward/reverse)

- ① Be sure to stop the machine when changing the direction forward or backward while traveling.
  - ② Put the FNR lever in the desired position to change direction.
- ※ **When changing direction, check beforehand there is no obstacle in the direction you will be headed.**
  - ※ **It could be cause of machine failure to change the direction forward or backward while traveling.**



#### (5) Turning the machine

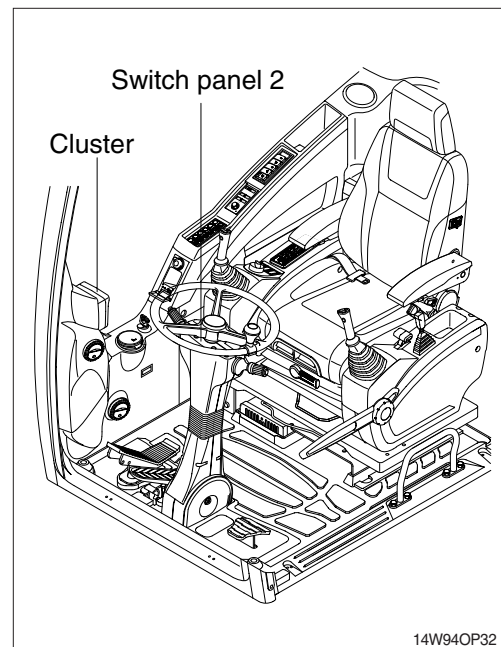
- ① Turn the machine by moving the steering wheel into the desired direction.
  - ② You can turn the machine to the left or right.
- ※ **Do not turn the machine abruptly when traveling at high speed and avoid turn on a slope.**
- ▲ Steering does not function with engine OFF.**



#### (6) Precautions when driving

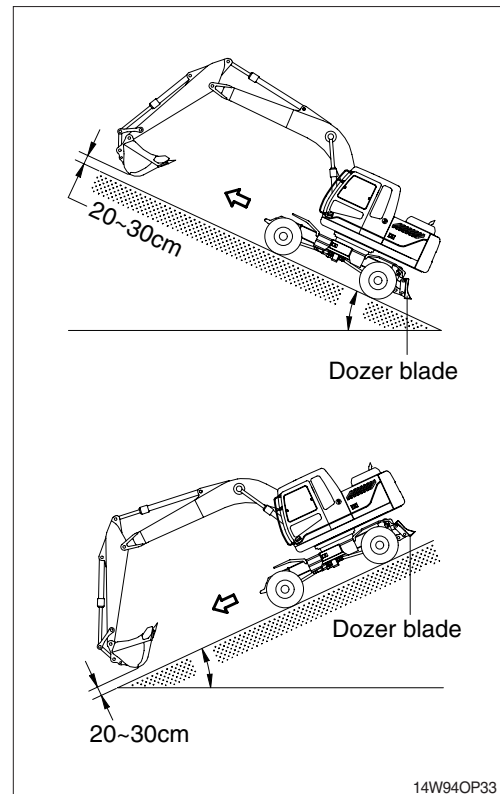
The operators must be familiar with the following precautions including general safety hints.

- ① If the warning lamp lights up on the cluster, stop the machine immediately and check carefully whether the relevant parts are out of order or not.
- ② Do not allow the engine to run at overload.
- ③ Stop the engine and check as soon as finding out abnormal noise or smell.
- ④ Check the pilot lamp of switch panel 2 frequently.
- ⑤ Do not allow passengers or riders on the machine while it is running or in operation.
- ⑥ Never get on or off the machine while it is moving.



## 2) TRAVELING ON A SLOPE

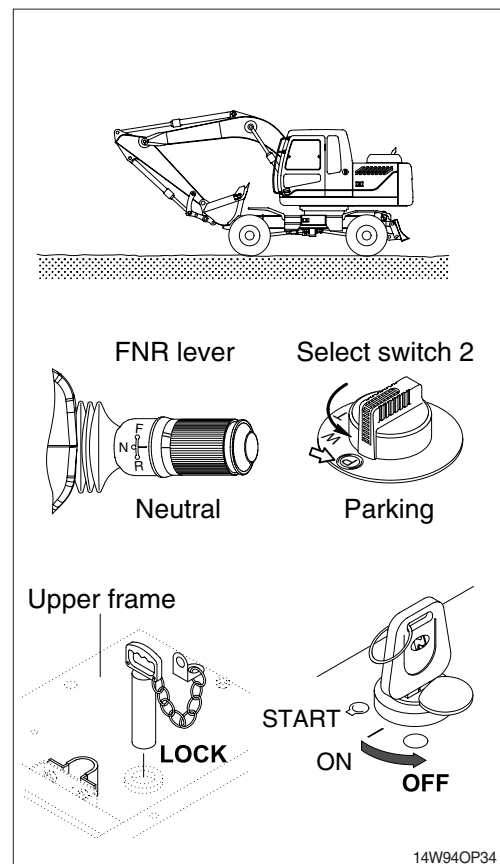
- (1) Never travel down a slope in neutral.
  - (2) Lower the bucket 20 to 30cm(1ft) to the ground so that it can be used as a brake in an emergency.
  - (3) If the machine starts to slide or loses stability, lower the bucket immediately and brake the machine.
  - (4) When parking on a slope, use the bucket as a brake and place blocks behind the tires to prevent sliding.
- ※ **Machine can not travel effectively on a slope when the oil temperature is low. Do the warming-up operation when it is going to travel on a slope.**
  - ※ **Be careful when working on slopes. It may cause the machine to lose its balance and turn over.**



## 3) PARKING THE MACHINE

To park the machine, keep the steps below.

- (1) Release the accelerator pedal slowly.
  - (2) Depress the brake pedal.
  - (3) Place the FNR lever in the neutral.
  - (4) Put the select switch 2 in the parking position and release the brake pedal.
  - (5) Lower the bucket, outrigger and dozer blade to the ground.
  - (6) Stop the engine, place the start key switch in the OFF and remove the key.
  - (7) Lower the safety lever to lock position.
  - (8) Lock the swing lock lever and the cab door.
- ※ **Whenever parking on a slope, always block the tires after lowering the bucket to the ground.**
  - ※ **Contain the outrigger lock pin in the tool box to avoid loss.**



#### 4) TOWING THE MACHINE

Except for an emergency, do not tow this machine. If it is inevitable to tow this machine, observe the following.

##### (1) General

① Parking brake cylinder of the machine is operated by the spring force and released by hydraulic pressure.

If the engine does not operate, the brake will be operated to stop the machine.

② When the machine is towed move it for a repair to nearby place at the low speed.

Transport it on a trailer, if it has to be moved for a long distance.

③ When the steering device and the brake of the machine to be towed can not be operated, transport by trailer.

**▲ Injury or death could result if a disabled machine is towed incorrectly.**

**▲ If your machine is towed by another machine, ALWAYS use a wire rope with a sufficient towing capacity.**

**▲ NEVER allow a disabled machine to be towed on a slope.**

**▲ When connecting up a towing machine, do not let anyone enter the area between the towing machine and the equipment being towed.**

**▲ Set the towing machine and the towing connection of the equipment being towed in a straight line when connecting it.**

**▲ Never tow machine using a light-duty towing hook.**

## (2) Towing the machine

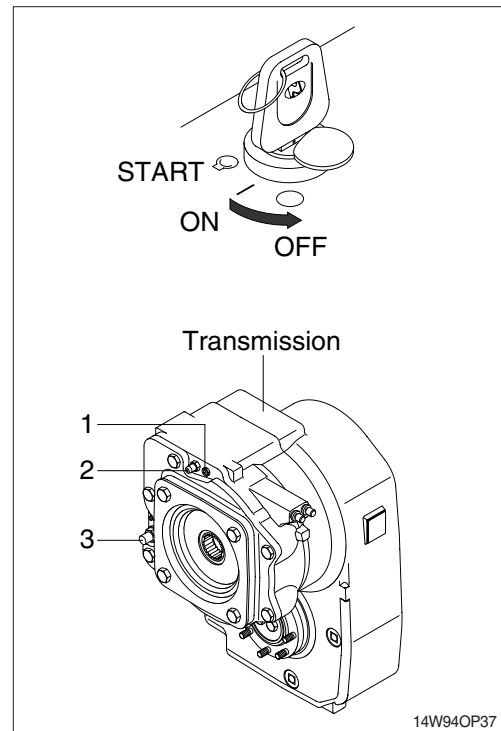
- ① The emergency device is to interrupt the power flow between input and output in case of control pressure failure or a travel motor defect and thus allows an emergency towing of the machine.
  - Towing speed : Max 10km/h
  - Towing distance : Max 5km
- ② Since there is no transmission lubrication, damages may occur due to lacking oil supply if the instruction are no observed. For a long distance it is best to have transported the defective machine on a trailer.

### ③ Activate the emergency device

- Turn the start key OFF position.
- Block the machine against rolling away.
- By means of a grease gun pump in the grease on the grease nipple(1) until it comes visibly out at the pressure relief valve(3) of the emergency device.

### ④ Deactivate the emergency device

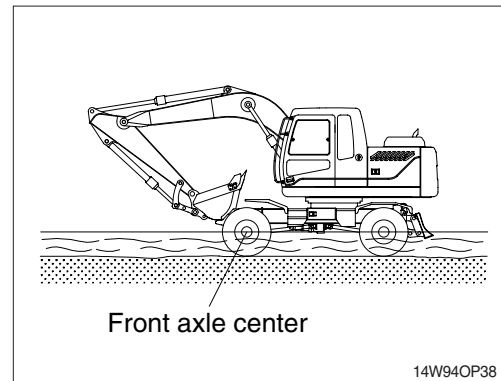
- The bleeder(2) of the emergency device must be opened and then shift into the road speed(apply a control pressure of 30 to 35 bar at the connection of the brake).
- Then close the bleeder again.



## 5) PRECAUTIONS FOR OPERATION

### (1) Permissible water depth

- ① Do not immerse the machine in water by more than the permissible depth (axle center).
- ② For parts that have been immersed in water for a long time, pump in grease until the old grease comes out from the bearings.



### (2) When the brake does not operate

- ① If the machine does not stop even though the brake pedal is applied, put the parking position to activate the emergency brake by select switch 2.
- ※ After using the parking brake as an emergency brake, ask Hyundai dealer to check complete brake system.
- ▲ Never use emergency brake, except when the service brake fails.

