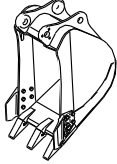
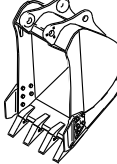
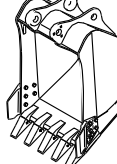


6. BUCKET SELECTION GUIDE

1) GENERAL BUCKET

		
0.23 m ³ SAE heaped bucket	0.40, 0.46 m ³ SAE heaped bucket	0.52, ※0.58, 0.65, 0.71 m ³ SAE heaped bucket

Capacity		Width		Weight	Recommendation						
					4.6 m (15' 1") Mono boom				4.9 m (16' 9") Hyd adjustable boom		
SAE heaped	CECE heaped	Without side cutter	With side cutter		1.9 m arm (6' 3")	2.1 m arm (6' 11")	2.5 m arm (8' 2")	3.0 m arm (9' 10")	1.9 m arm (6' 3")	2.1 m arm (6' 11")	2.5 m arm (8' 2")
0.23 m ³ (0.30 yd ³)	0.20 m ³ (0.26 yd ³)	520 mm (20.5")	620 mm (24.4")	335 kg (740 lb)							
0.40 m ³ (0.52 yd ³)	0.35 m ³ (0.46 yd ³)	760 mm (29.9")	860 mm (33.9")	410 kg (900 lb)							
0.46 m ³ (0.60 yd ³)	0.40 m ³ (0.52 yd ³)	850 mm (33.5")	950 mm (37.4")	435 kg (960 lb)							
0.52 m ³ (0.68 yd ³)	0.45 m ³ (0.59 yd ³)	935 mm (36.8")	1035 mm (40.7")	460 kg (1010 lb)							
※0.58 m ³ (0.76 yd ³)	0.50 m ³ (0.65 yd ³)	1030 mm (40.6")	1130 mm (44.5")	480 kg (1060 lb)							
0.65 m ³ (0.85 yd ³)	0.55 m ³ (0.72 yd ³)	1110 mm (43.7")	1210 mm (47.6")	500 kg (1100 lb)							
0.71 m ³ (0.93 yd ³)	0.60 m ³ (0.78 yd ³)	1205 mm (47.4")	1305 mm (51.4")	540 kg (1190 lb)							

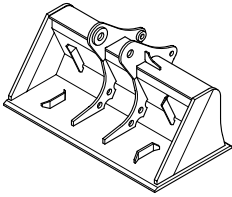
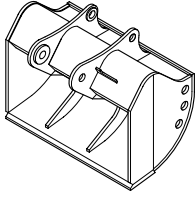
※ : Standard bucket

Applicable for materials with density of 2000 kg/m³ (3370 lb/yd³) or less

Applicable for materials with density of 1600 kg/m³ (2700 lb/yd³) or less

Applicable for materials with density of 1100 kg/m³ (1850 lb/yd³) or less

2) Special bucket

<p>Slope finishing bucket</p> 	<p>Ditch cleaning bucket</p> 
<p>◎ 0.55 m³ SAE heaped bucket</p>	<p>★ 0.45 m³ SAE heaped bucket</p>

Capacity		Width		Weight	Recommendation					
					4.6 m (15' 1") Mono boom			4.9 m (16' 9") Hyd adjustable boom		
SAE heaped	SAE heaped	Without side cutter	With side cutter		1.9 marm (6' 3")	2.1 marm (6' 11")	2.5 marm (8' 2")	1.9 marm (6' 3")	2.1 marm (6' 11")	2.5 marm (8' 2")
◎ 0.55 m ³ (0.72 yd ³)	0.45 m ³ (0.59 yd ³)	1800 mm (70.9")	-	585 kg (1290 lb)						
★ 0.45 m ³ (0.59 yd ³)	0.40 m ³ (0.52 yd ³)	1520 mm (59.8")	-	410 kg (900 lb)						

◎ : Slope finishing bucket

★ : Ditch cleaning bucket

Applicable for materials with density of 2000 kg/m³ (3370 lb/yd³) or less

Applicable for materials with density of 1600 kg/m³ (2700 lb/yd³) or less

Applicable for materials with density of 1100 kg/m³ (1850 lb/yd³) or less