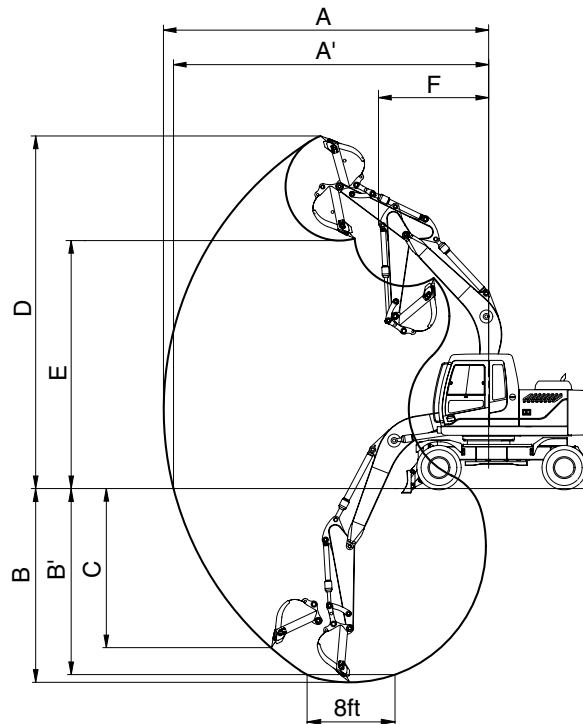


3. WORKING RANGE

1) 4.6 m (15' 1") MONO BOOM

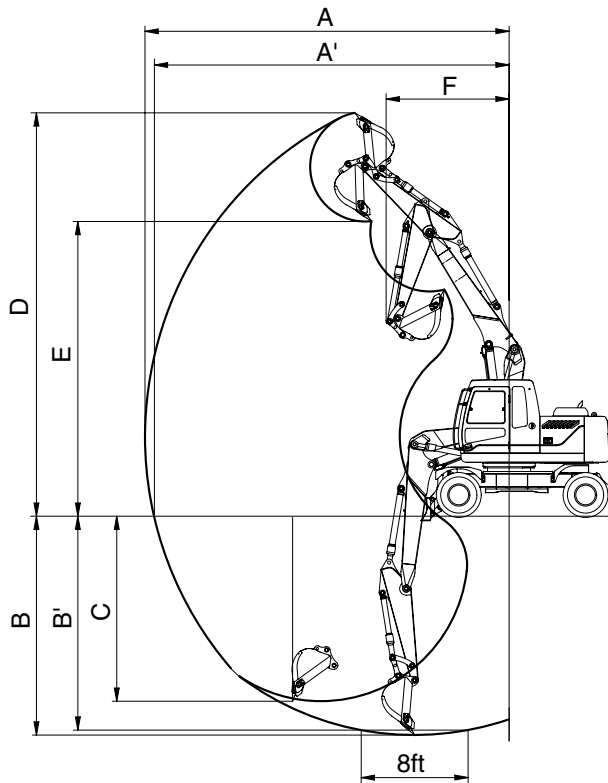


14W92SP03

Description		1.9 m (6' 3") Arm	*2.1 m (6' 11") Arm	2.5 m (8' 2") Arm	3.0 m (9' 10") Arm
Max digging reach	A	7750 mm (25' 5")	7920 mm (26' 0")	8320 mm (27' 4")	8780 mm (28'10")
Max digging reach on ground	A'	7530 mm (24' 8")	7700 mm (25' 3")	8120 mm (26' 8")	8590 mm (28' 2")
Max digging depth	B	4650 mm (15' 3")	4850 mm (15'11")	5250 mm (17' 3")	5750 mm (18'10")
Max digging depth (8 ft level)	B'	4390 mm (14' 5")	4600 mm (15' 1")	5040 mm (16' 6")	5570 mm (18' 3")
Max vertical wall digging depth	C	4350 mm (14' 3")	4460 mm (14' 8")	5030 mm (16' 6")	5550 mm (18' 3")
Max digging height	D	8400 mm (27' 7")	8470 mm (27' 9")	8790 mm (28'10")	9070 mm (29' 9")
Max dumping height	E	5960 mm (19' 7")	6040 mm (19'10")	6350 mm (20'10")	6620 mm (21' 9")
Min swing radius	F	2620 mm (8' 7")	2670 mm (8'10")	2650 mm (8' 8")	2670 mm (8' 9")
Bucket digging force	SAE	87.3 [94.8] kN	87.3 [94.8] kN	87.3 [94.8] kN	87.3 [94.8] kN
		8800 [9600] kgf	8800 [9600] kgf	8800 [9600] kgf	8800 [9600] kgf
		19620 [21300] lbf	19620 [21300] lbf	19620 [21300] lbf	19620 [21300] lbf
	ISO	102 [110.8] kN	102 [110.8] kN	102 [110.8] kN	102 [110.8] kN
		10400 [11290] kgf	10400 [11290] kgf	10400 [11290] kgf	10400 [11290] kgf
		22930 [24890] lbf	22930 [24890] lbf	22930 [24890] lbf	22930 [24890] lbf
Arm digging force	SAE	76.5 [83.1] kN	73.6 [79.9] kN	62.8 [68.2] kN	55.9 [60.7] kN
		7800 [8470] kgf	7500 [8140] kgf	6400 [6950] kgf	5700 [6190] kgf
		17200 [18670] lbf	16530 [17950] lbf	14110 [15320] lbf	12570 [13640] lbf
	ISO	80.4 [87.3] kN	77.5 [84.1] kN	65.7 [71.4] kN	57.9 [62.8] kN
		8200 [8900] kgf	7900 [8580] kgf	6700 [7270] kgf	5900 [6410] kgf
		18080 [19630] lbf	17420 [18910] lbf	14770 [16040] lbf	13010 [14120] lbf

* : Standard [] : Power boost

2) 4.9 m (16' 1") HYDRAULIC ADJUSTABLE BOOM



14W92SP04

Description		1.9 m (6' 3") Arm	2.1 m (6' 11") Arm	2.5 m (8' 2") Arm
Max digging reach	A	8140 mm (26' 8")	8310 mm (27' 3")	8720 mm (28' 7")
Max digging reach on ground	A'	7930 mm (26' 0")	8110 mm (26' 7")	8530 mm (28' 0")
Max digging depth	B	4810 mm (15' 9")	5010 mm (16' 5")	5410 mm (17' 9")
Max digging depth (8 ft level)	B'	4700 mm (15' 5")	4890 mm (16' 1")	5310 mm (17' 5")
Max vertical wall digging depth	C	4190 mm (13' 9")	4360 mm (14' 4")	4820 mm (15'10")
Max digging height	D	9100 mm (29'10")	9180 mm (30' 1")	9560 mm (31' 4")
Max dumping height	E	6620 mm (21' 9")	6700 mm (22' 0")	7070 mm (23' 2")
Min swing radius	F	2660 mm (8' 9")	2820 mm (9' 3")	2690 mm (8'10")
Bucket digging force	SAE	87.3 [94.8] kN	87.3 [94.8] kN	87.3 [94.8] kN
		8800 [9600] kgf	8800 [9600] kgf	8800 [9600] kgf
		19620 [21300] lbf	19620 [21300] lbf	19620 [21300] lbf
	ISO	102 [110.8] kN	102 [110.8] kN	102 [110.8] kN
		10400 [11290] kgf	10400 [11290] kgf	10400 [11290] kgf
		22930 [24890] lbf	22930 [24890] lbf	22930 [24890] lbf
Arm digging force	SAE	76.5 [83.1] kN	73.6 [79.9] kN	62.8 [68.2] kN
		7800 [8470] kgf	7500 [8140] kgf	6400 [6950] kgf
		17200 [18670] lbf	16530 [17950] lbf	14110 [15320] lbf
	ISO	80.4 [87.3] kN	77.5 [84.1] kN	65.7 [71.4] kN
		8200 [8900] kgf	7900 [8580] kgf	6700 [7270] kgf
		18080 [19630] lbf	17420 [18910] lbf	14770 [16040] lbf

[] : Power boost